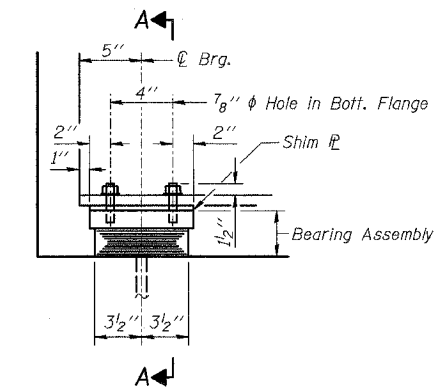
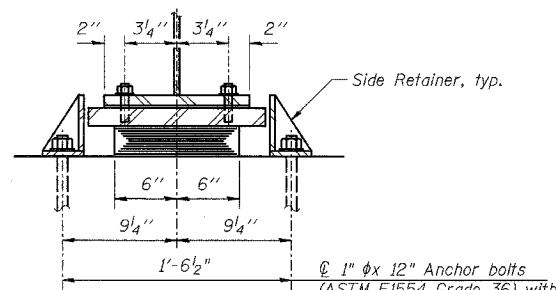


SHEET S13 OF S25		F.A.P. NO.	SECTION	COUNTY	TOTAL SHEETS	SHEET NO.
		303	131B(1&2)BR	McHENRY	107	77
STA.	TO STA.					
FED. ROAD DIST. NO.	ILLINOIS	FED. AID PROJECT				

CONTRACT NO. 60B83

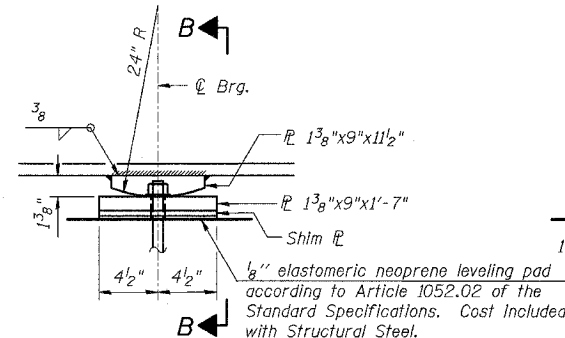


ELEVATION AT ABUT.

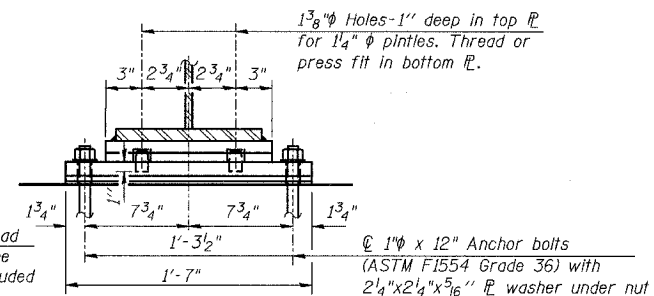


SECTION A-A

1" x 12" Anchor bolts (ASTM F1554 Grade 36) with 2 1/4" x 2 1/4" x 5/16" washer under nut



ELEVATION AT PIER



SECTION B-B

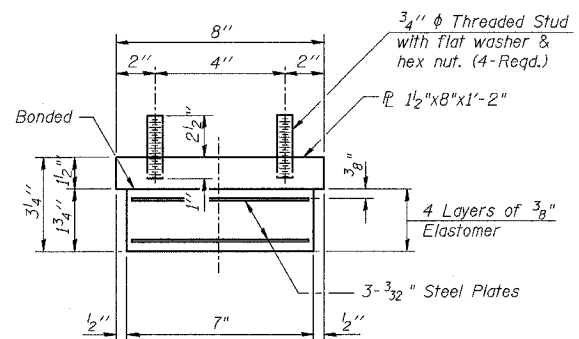
1" x 12" Anchor bolts (ASTM F1554 Grade 36) with 2 1/4" x 2 1/4" x 5/16" washer under nut 1 1/2" holes in bottom flange.

FIXED BEARING PIER 1 & 2

(14 Required)

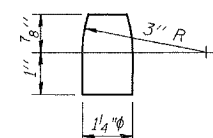
TYPE I ELASTOMERIC EXP. BRG. ABUTMENTS

(14 Required)



BEARING ASSEMBLY

Note: Shim plates shall not be placed under Bearing Assembly.



PINTLE

Notes:

Anchor bolts shall be ASTM F1554 all-thread (or an Engineer-approved alternate material) of the grade(s) and diameter(s) specified. ASTM A307 Grade C anchor bolts may be used in lieu of ASTM F1554 Grade 36 (Fy=36ksi). The corresponding specified grade of AASHTO M314 anchor bolts may be used in lieu of ASTM F1554.

Anchor bolts at fixed bearings may be either cast in place or installed in holes drilled after the supported member is in place.

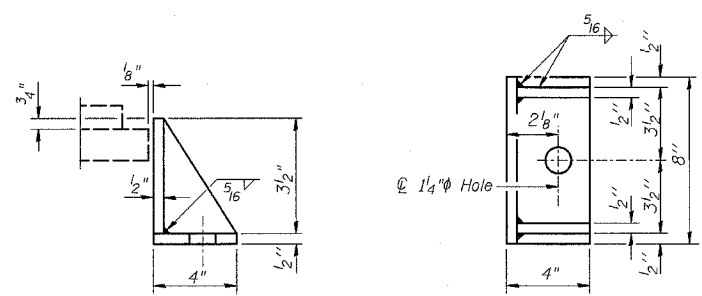
Anchor bolts for side retainers may be cast in place or installed in holes drilled before or after members are in place.

Drilled and set anchor bolts shall be installed according to Article 521.06 of the Standard Specifications.

Side retainers and other steel members required for the bearing assembly shall be included in the cost of Elastomeric Bearing Assembly, Type I.

The Structural steel plates of the Bearing Assembly shall conform to the requirements of AASHTO M270 Grade 50.

Two 1/8" (in.) adjusting shims shall be provided for each bearing in addition to all other plates or shims and placed as shown on bearing details.



SIDE RETAINER

Equivalent rolled angle with stiffeners will be allowed in lieu of welded plates.

BILL OF MATERIAL

Item	Unit	Total
Elastomeric Bearing Assembly Type I	Each	14
Anchor Bolts 1"	Each	56

REVISIONS	
NAME	DATE

ILLINOIS DEPARTMENT OF TRANSPORTATION
 BEARING DETAILS
 IL. RTE. 173
 OVER
 PISCASAW CREEK
 F.A.P. RTE. 303 SECTION: 131B(1&2)BR
 McHENRY COUNTY STATION 100+00.00
 STRUCTURE NO. 056-0090
 SCALE: DATE: APRIL 2, 2007
 DRAWN BY: D.L./F.M.
 CHECKED BY: B.N.S./J.C.N.
 CHRISTIAN-ROGE & ASSOC., INC.
 CHICAGO ILLINOIS