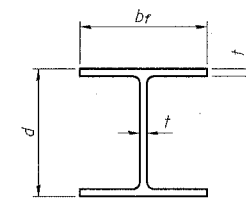


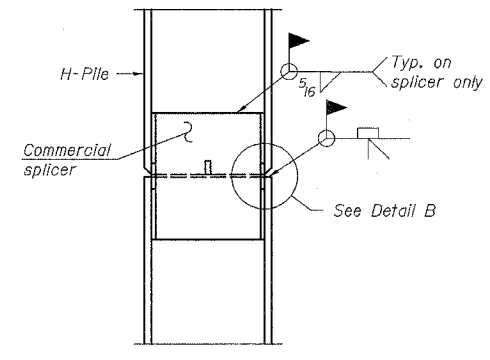
| F.A.P. RTE. | SECTION | COUNTY | TOTAL SHEETS | SHEET NO. |
|---------------------|-------------|------------------|--------------|-----------|
| 303 | 131B(1&2)BR | McHENRY | 107 | 85 |
| STA. | | TO STA. | | |
| FED. ROAD DIST. NO. | MILEAGES | FED. AID PROJECT | | |

CONTRACT NO. 60B83

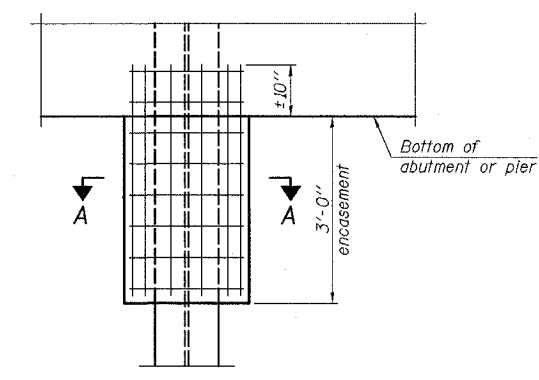


STEEL PILE TABLE

| Designation | Depth d | Flange width br | Web and Flange thickness t | Encasement diameter A |
|-------------|---------|-----------------|----------------------------|-----------------------|
| HP 14x117 | 14 1/4" | 14 7/8" | 1 3/16" | 30" |
| x102 | 14" | 14 3/4" | 1 1/16" | 30" |
| x89 | 13 7/8" | 14 3/4" | 5/8" | 30" |
| x73 | 13 5/8" | 14 5/8" | 1/2" | 30" |
| HP 12x84 | 12 1/4" | 12 1/4" | 1 1/16" | 24" |
| x74 | 12 3/8" | 12 1/4" | 5/8" | 24" |
| x63 | 12" | 12 1/8" | 1/2" | 24" |
| x53 | 11 3/4" | 12" | 7/16" | 24" |
| HP 10x57 | 10" | 10 1/4" | 9/16" | 24" |
| x42 | 9 3/4" | 10 1/8" | 7/16" | 24" |
| HP 8x36 | 8" | 8 1/8" | 7/16" | 18" |

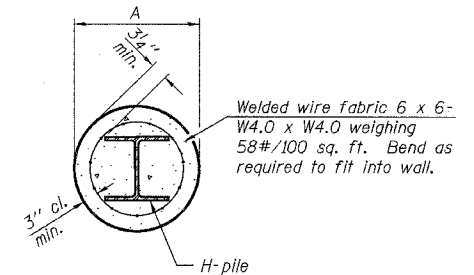


ELEVATION



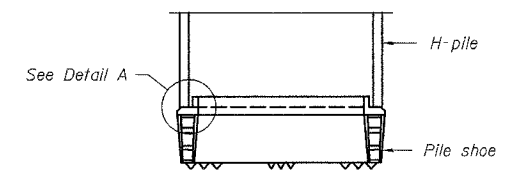
ELEVATION

PILE ENCASUREMENT

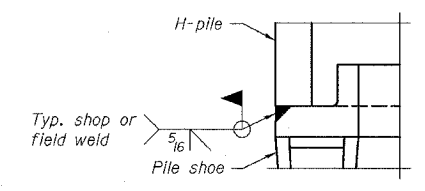


SECTION A-A

Note: Forms for encasement may be omitted when soil conditions permit.

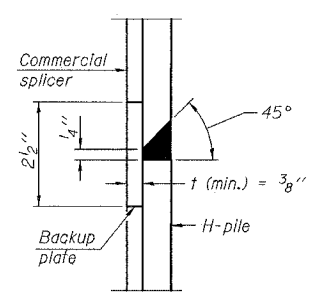


ELEVATION



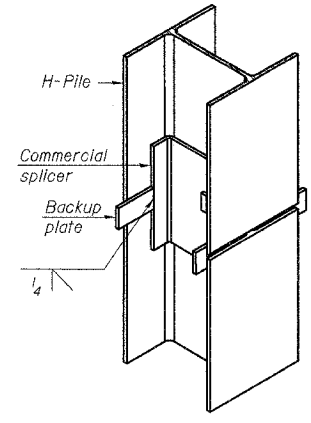
DETAIL A

H-PILE SHOE ATTACHMENT

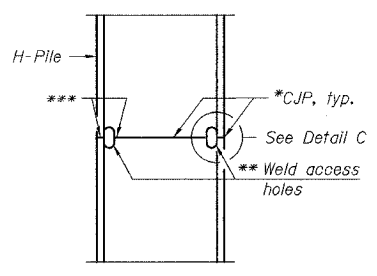


DETAIL "B"

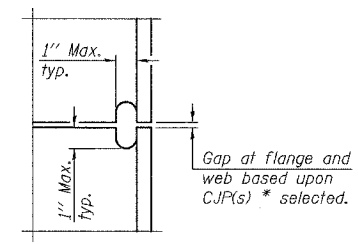
WELDED COMMERCIAL SPLICE



ISOMETRIC VIEW

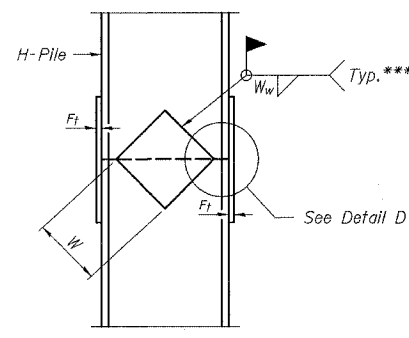


ELEVATION

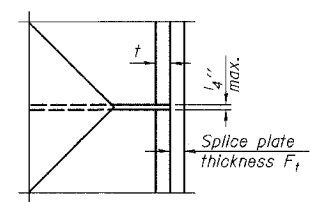


DETAIL C

COMPLETE PENETRATION WELD SPLICE



ELEVATION



DETAIL D

WELDED PLATE FIELD SPLICE

| Designation | F | F _t | F _w | W | W _t | W _w |
|-------------|---------|----------------|----------------|--------|----------------|----------------|
| HP 14x117 | 12 1/2" | 1" | 7/8" | 7 3/4" | 5 8/8" | 1 1/2" |
| x102 | 12 1/2" | 7/8" | 3/4" | 7 3/4" | 5 8/8" | 1 1/2" |
| x89 | 12 1/2" | 3/4" | 1 1/16" | 7 3/4" | 5 8/8" | 1 1/2" |
| x73 | 12 1/2" | 5/8" | 9/16" | 7 3/4" | 5 8/8" | 1 1/2" |
| HP 12x84 | 10" | 7/8" | 1 1/16" | 6 1/2" | 5 8/8" | 1 1/2" |
| x74 | 10" | 7/8" | 1 1/16" | 6 1/2" | 5 8/8" | 1 1/2" |
| x63 | 10" | 5/8" | 1/2" | 6 1/2" | 1 1/2" | 3/8" |
| x53 | 10" | 5/8" | 1/2" | 6 1/2" | 1 1/2" | 3/8" |
| HP 10x57 | 8" | 3/4" | 9/16" | 5 1/4" | 1 1/2" | 3/8" |
| x42 | 8" | 5/8" | 9/16" | 5 1/4" | 1 1/2" | 3/8" |
| HP 8x36 | 7" | 5/8" | 7/16" | 4 1/4" | 1 1/2" | 3/8" |

- * Use joint conforming to Figure 3.4 in AWS D1.1, Structure Welding Code - Steel.
- ** Preparation per Fig. 5.2 in AWS D1.1, Structure Welding Code - Steel.
- *** Interrupt welds 1/4" from end of each pile.

Note: The steel H-piles shall be according to AASHTO M270 Grade 50.

| REVISIONS | |
|-----------|------|
| NAME | DATE |
| | |
| | |
| | |
| | |

ILLINOIS DEPARTMENT OF TRANSPORTATION
STEEL H-PILE DETAILS
 IL. RTE. 173
 OVER
 PISCASAW CREEK
 F.A.P. RTE. 303 SECTION: 131B(1&2)BR
 McHENRY COUNTY STATION 100+00.00
 STRUCTURE NO. 056-0090
 SCALE: DATE: APRIL 2, 2007 DRAWN BY: D.L./F.M.
 CHECKED BY: B.N.S./J.C.N.
CHRISTIAN-ROGE & ASSOC., INC.
 CHICAGO ILLINOIS