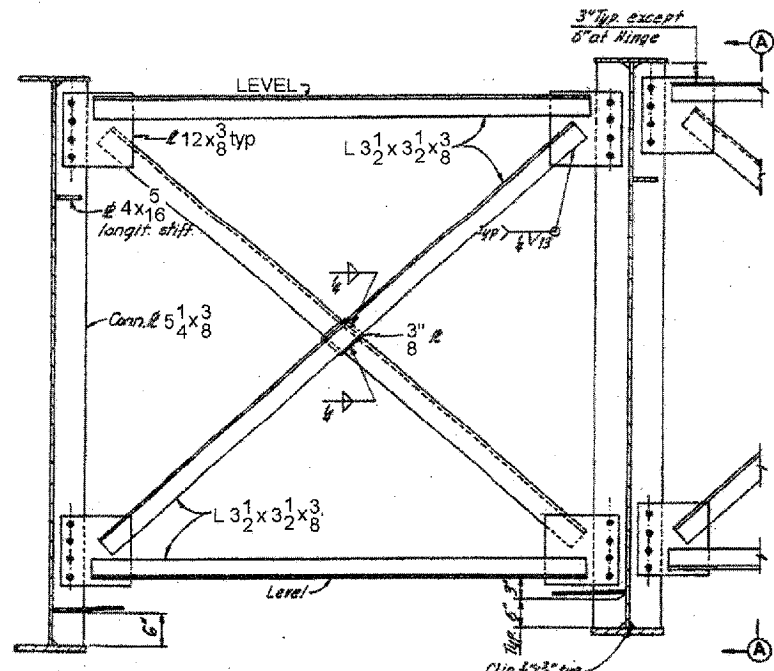
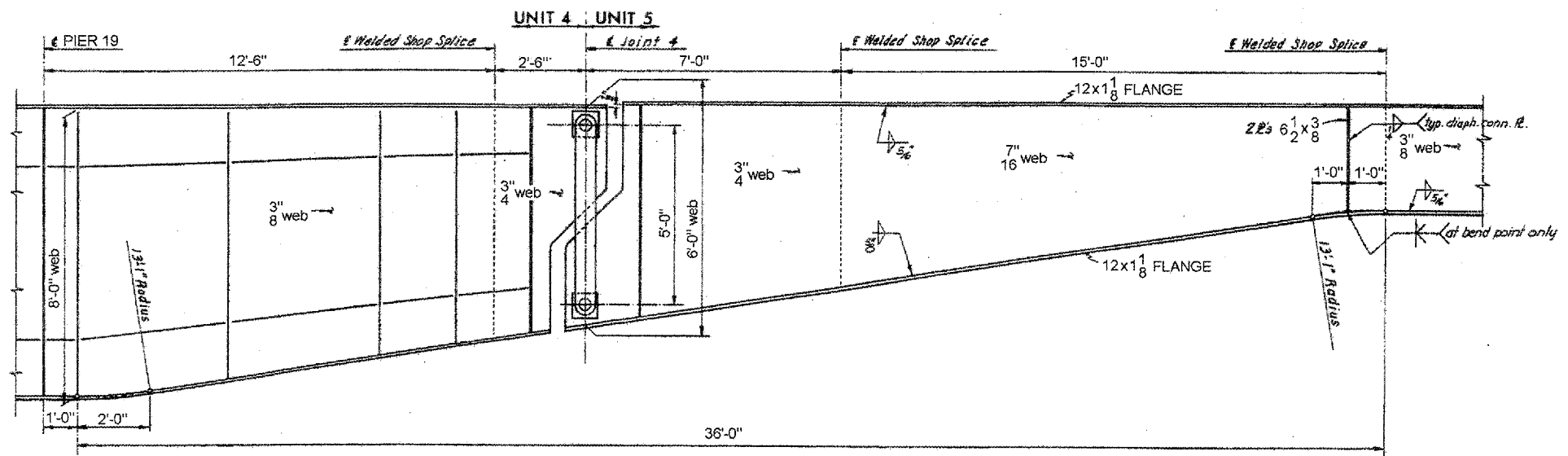


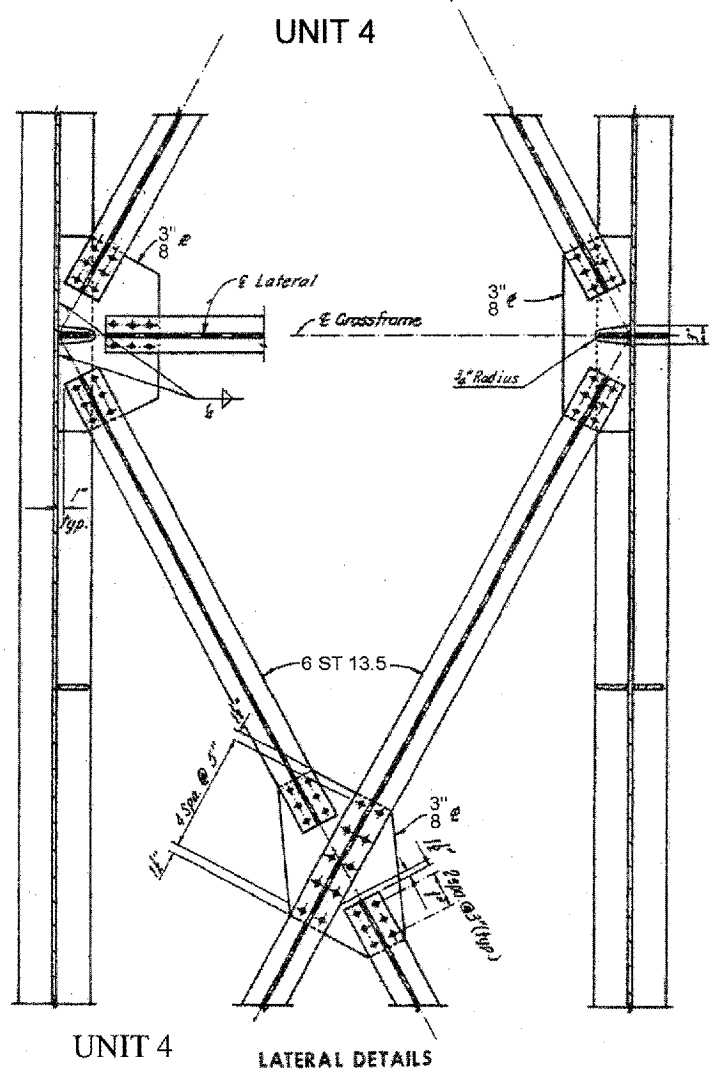
ROUTE	SECTION	COUNTY	TOTAL SHEETS	SHEET NUMBER
FAP 351 & FAU 2831	2006-037BP	COOK & WILL	27	19



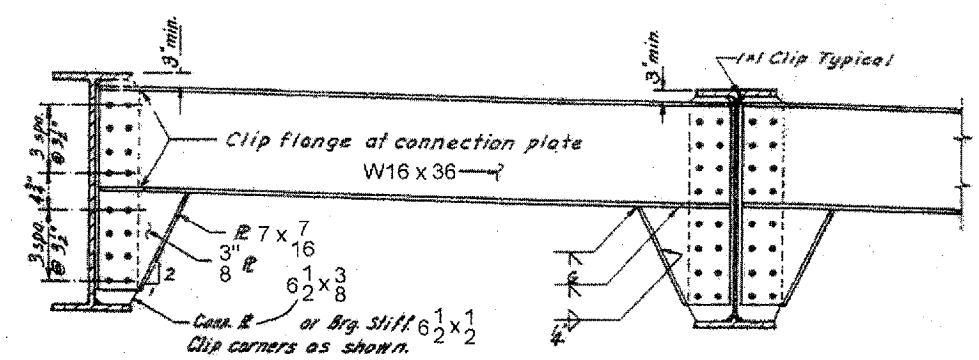
**TYPICAL CROSSFRAME**  
(No lateral connection plates required at Joint 4.)



**GIRDER DETAILS AT JOINT**

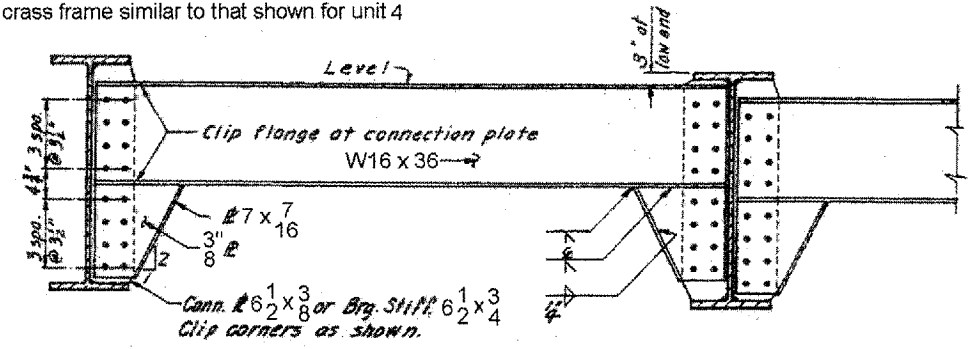


**UNIT 4 LATERAL DETAILS**



**END DIAPHRAGM DETAIL**  
UNIT 5 & 6

Note: Use End Diaphragm detail at joint 5 and at East Abutment. For Unit 5 at Joint 4 use cross frame similar to that shown for unit 4



**INTERMEDIATE DIAPHRAGM DETAIL**  
UNIT 5 & 6

ILLINOIS DEPARTMENT OF TRANSPORTATION  
STEEL DETAILS LOCATION 1  
SN: 099-0185 – UNITS 4, 5 & 6  
IL-7 OVER DES PLAINES RIVER,  
S&S CANAL & BNSF RR