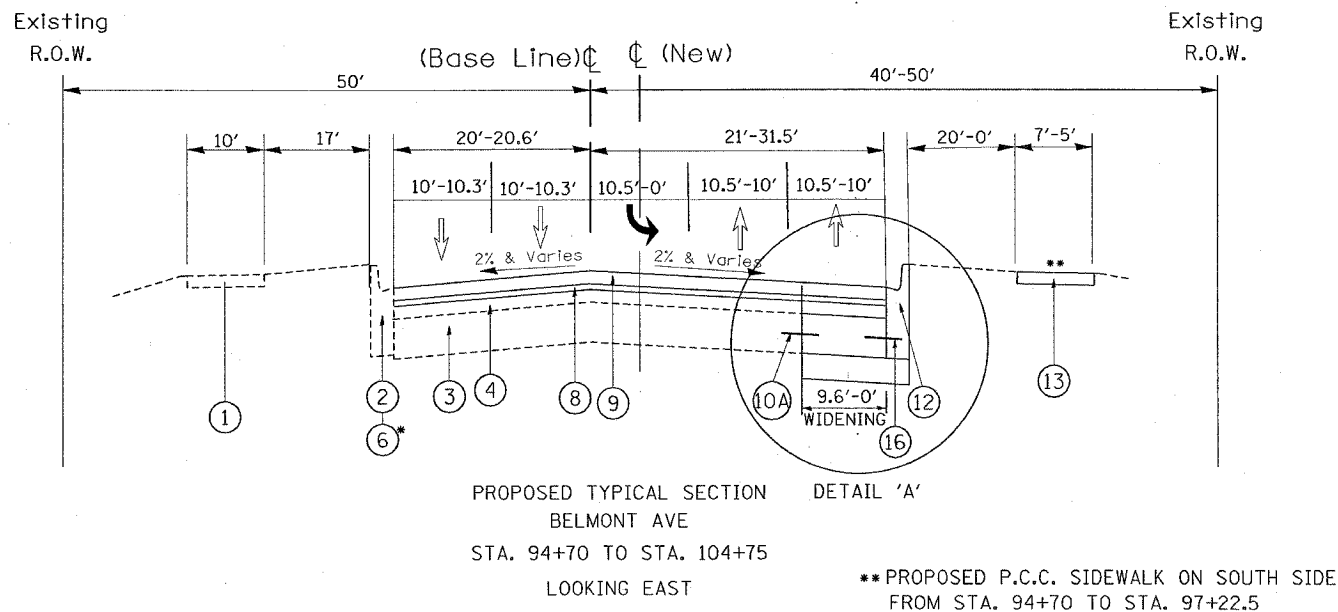
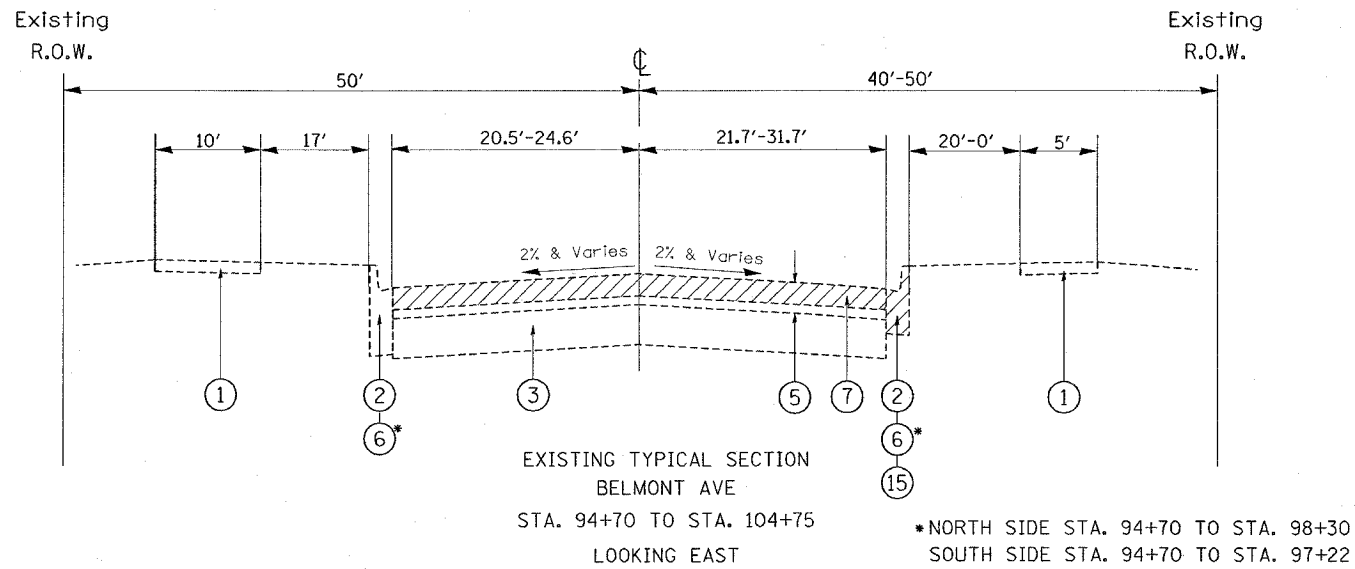


F.A.U. RTE.	SECTION	COUNTY	TOTAL SHEETS	SHEET NO.
1374	0406 WRS	COOK	43	7
STA.		TO STA.		
FED. ROAD DIST. NO. 1		ILLINOIS FED. AID PROJECT		

LEGEND

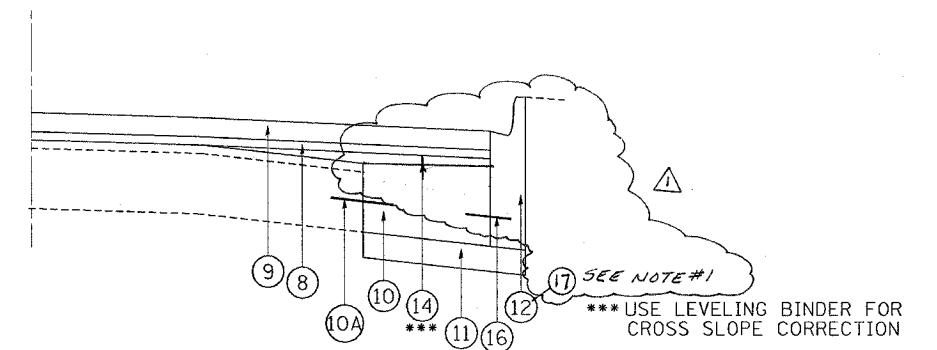
- ① EXISTING P.C. CONCRETE SIDEWALK
- ② EXISTING COMBINATION CONCRETE CURB AND GUTTER, TYPE B6.12
- ③ EXISTING PC CONC. BASE COURSE ±8"
- ④ EXISTING HOT-MIX ASPHALT OVERLAY AFTER MILLING
- ⑤ EXISTING HOT-MIX ASPHALT OVERLAY ±5 1/2"
- ⑥ EXISTING COMBINATION CONCRETE CURB AND GUTTER, TYPE B6.24
- ⑦ PROPOSED HOT-MIX ASPHALT SURFACE REMOVAL, 2 1/2"
- ⑧ PROPOSED LEVELING BINDER (MACHINE METHOD), N70, 1"
- ⑨ PROPOSED HOT-MIX ASPHALT SURFACE COURSE, MIX "D", N70, 1 1/2"
- ⑩ PROPOSED PC CONC. BASE COURSE WIDENING (VARIABLE DEPTH) [△]
- ⑩A PROPOSED NO. 8 EPOXY COATED TIE BAR, DEFORMED, (DRILL AND GROUT), 24" LONG AT 24" SPACING. (INCLUDED IN THE COST OF THE PAVEMENT WIDENING)
- ⑪ PROPOSED SUB-BASE GRANULAR MATERIAL, TYP B 4"
- ⑫ PROPOSED COMBINATION CONCRETE CURB AND GUTTER, TYPE B 6.12
- ⑬ PROPOSED PC CONCRETE SIDEWALK, 5"
- ⑭ PROPOSED LEVELING BINDER (MACHINE METHOD) N70
- ⑮ PROPOSED CURB & GUTTER REMOVAL (SAW CUT SHALL BE INCLUDED IN THE PRICE OF REMOVAL)
- ⑯ PROPOSED NO. 6 EPOXY COATED TIE BAR, DEFORMED, (DRILL AND GROUT), 24" LONG AT 24" SPACING. (INCLUDED IN THE COST OF COMBINATION CURB AND GUTTER)
- [△] ⑰ COMBINATION CONCRETE CURB AND GUTTER, TYPE B-6.12 (SPECIAL)



HOT-MIX ASPHALT MIXTURE REQUIREMENTS		
MIXTURE TYPE	AC TYPE	AIR VOIDS
PAVEMENT RESURFACING		
LEVELING BINDER (MACHINE METHOD), N70 (IL-9.5 MM)	PG 64-22 *	4.0% @ 70 GYR
HOT-MIX ASPHALT SURFACE COURSE, MIX "D", N70 (IL-9.5MM)	PG 64-22	4.0% @ 70 GYR
PATCHING		
CLASS D PATCHES (BINDER IL-19MM)	PG 64-22 *	4.0% @ 70 GYR
HOT-MIX ASPHALT REPLACEMENT OVER PATCHES (BINDER IL-19MM)	PG 64-22 *	4.0% @ 70 GYR

THE UNIT WEIGHT USED TO CALCULATE ALL HOT-MIX ASPHALT SURFACE MIX QUANTITIES IS 112 LBS/SQYD/IN
*WHEN RAP EXCEEDS 20% THE NEW ASPHALT BINDER IN THE MIX SHALL BE PG 58-22

DETAIL A



NOTE #1:
WHERE PCC WIDENING IS LESS THAN 3 FEET USE COMBINATION CONCRETE CURB AND GUTTER TYPE B 6.12 (SPECIAL) FOR PROPOSED CURB. THE COMBINATION CONCRETE CURB AND GUTTER TYPE B 6.12 (SPECIAL) SHALL BE POURED MONOLITHICALLY WITH THE PCC WIDENING. THE COMBINATION CONCRETE CURB AND GUTTER, TYPE B 6.12 (SPECIAL) SHALL BE PAID FOR AT THE CONTRACT UNIT PRICE PER METER (FOOT).

REVISIONS	
NAME	DATE

ILLINOIS DEPARTMENT OF TRANSPORTATION
BELMONT AVENUE
AT PLAINFIELD AVENUE
TYPICAL CROSS SECTIONS

SCALE: N.T.S.
DATE

DRAWN BY
CHECKED BY

Rev. 5-30-07

PLOT DATE = 4/19/2007
 FILE NAME = c:\projects\1010807\design\aedp
 PLOT SCALE = 50.0000 / IN
 USER NAME = abreuah