

F.A.D. RTE.	SECTION	COUNTY	TOTAL SHEETS	SHEET NO.
1374	0406 WRS	COOK	43	3
FED. ROAD DIST. NO. 1		ILLINOIS	HIGHWAY PROJECT	

D-91-106-07

SUMMARY OF QUANTITIES			URBAN 100% STATE	CONSTRUCTION TYPE CODE			
CODE NO	ITEM	UNIT	TOTAL QUANTITIES	I000 ROADWAY	Y031-IF SIGNAL		
* XX04593A	REOPTIMIZE TRAFFIC SIGNAL SYSTEM LEVEL II	EACH	1		1		
20101100	TREE TRUNK PROTECTION	EACH	9	9			
20101200	TREE ROOT PRUNING	EACH	4	4			
20101300	TREE PRUNING (1 TO 10 INCH DIAMETER)	EACH	2	2			
20101350	TREE PRUNING (OVER 10 INCH DIAMETER)	EACH	2	2			
20200100	EARTH EXCAVATION	CU YD	191	191			
20201200	REMOVAL AND DISPOSAL OF UNSUITABLE MATERIAL	CU YD	91	91			
20800150	TRENCH BACKFILL	CU YD	38.1	38.1			
21101615	TOPSOIL FURNISH AND PLACE, 4"	SQ YD	795	795			
25000400	NITROGEN FERTILIZER NUTRIENT	POUND	10	10			
25000500	PHOSPHORUS FERTILIZER NUTRIENT	POUND	10	10			
25000600	POTASSIUM FERTILIZER NUTRIENT	POUND	10	10			
25200110	SODDING, SALT TOLERANT	SQ YD	795	795			
25200200	SUPPLEMENTAL WATERING	UNIT	8	8			
28000400	PERIMETER EROSION BARRIER	FOOT	1150	1150			
28000500	INLET AND PIPE PROTECTION	EACH	2	2			
31101200	SUB-BASE GRANULAR MATERIAL, TYPE B 4"	SQ YD	231	231			
35401100	PORTLAND CEMENT CONCRETE BASE COURSE WIDENING (VARIABLE DEPTH)	SQ YD	231	231			
40600200	BITUMINOUS MATERIALS (PRIME COAT)	TON	5	5			
40600300	AGGREGATE (PRIME COAT)	TON	25	25			
40600400	MIXTURE FOR CRACKS, JOINTS, AND FLANGEWAYS	TON	4	4			
40600635	LEVELING BINDER (MACHINE METHOD), N70	TON	419	419			
40600895	CONSTRUCTING TEST STRIP	EACH	1	1			
40600982	HOT-MIX ASPHALT SURFACE REMOVAL - BUTT JOINT	SQ YD	114	114			
40601005	HOT-MIX ASPHALT REPLACEMENT OVER PATCHES	TON	28	28			
40603340	HOT-MIX ASPHALT SURFACE COURSE, MIX "D", N70	TON	536	536			
42001300	PROTECTIVE COAT	SQ YD	1124	1124			

SUMMARY OF QUANTITIES			URBAN 100% STATE	CONSTRUCTION TYPE CODE			
CODE NO	ITEM	UNIT	TOTAL QUANTITIES	I000 ROADWAY	Y031-IF SIGNAL		
42300200	PORTLAND CEMENT CONCRETE DRIVEWAY PAVEMENT, 6 INCH	SQ YD	44	44			
42300400	PORTLAND CEMENT CONCRETE DRIVEWAY PAVEMENT, 8 INCH	SQ YD	294	294			
42400200	PORTLAND CEMENT CONCRETE SIDEWALK 5 INCH	SQ FT	2658	2658			
42400800	DETECTABLE WARNINGS	SQ FT	36	36			
44000159	HOT-MIX ASPHALT SURFACE REMOVAL, 2 1/2"	SQ YD	5964	5964			
44000200	DRIVEWAY PAVEMENT REMOVAL	SQ YD	388	388			
44000300	CURB REMOVAL	FOOT	152	152			
44000500	COMBINATION CURB AND GUTTER REMOVAL	FOOT	934	934			
44000600	SIDEWALK REMOVAL	SQ FT	2384	2384			
44001700	COMBINATION CONCRETE CURB AND GUTTER REMOVAL AND REPLACEMENT	FOOT	189	189			
44002222	HOT-MIX ASPHALT REMOVAL OVER PATCHES, 5 1/2"	SQ YD	91	91			
44201745	CLASS D PATCHES, TYPE III, 8 INCH	SQ YD	57	57			
44201747	CLASS D PATCHES, TYPE IV, 8 INCH	SQ YD	34	34			
44300200	STRIP REFLECTIVE CRACK CONTROL TREATMENT	FOOT	4020	4020			
55039700	STORM SEWERS TO BE CLEANED	FOOT	500	500			
550A0030	STORM SEWERS, CLASS A, TYPE 1 8"	FOOT	22	22			
550A0040	STORM SEWERS, CLASS A, TYPE 1 10"	FOOT	84	84			
55100400	STORM SEWER REMOVAL 10"	FOOT	52	52			
60202505	CATCH BASINS, TYPE A, 4' -DIAMETER, TYPE 1 FRAME, OPEN LID (CITY OF CHICAGO)	EACH	1	1			
60235200	INLETS, TYPE A, TYPE 1 FRAME, OPEN LID (CITY OF CHICAGO)	EACH	1	1			
60237460	INLETS, TYPE A, TYPE 23 FRAME AND GRATE	EACH	1	1			
60260100	INLETS TO BE ADJUSTED	EACH	2	2			
60261530	INLETS TO BE ADJUSTED WITH NEW TYPE 23 FRAME AND GRATE	EACH	2	2			
60300310	FRAMES AND LIDS TO BE ADJUSTED (SPECIAL)	EACH	5	5			
60500050	REMOVING CATCH BASINS	EACH	1	1			

* SPECIALTY ITEM
 ** NON PARTICIPATING ITEM

REVISIONS	
NAME	DATE

ILLINOIS DEPARTMENT OF TRANSPORTATION
 SUMMARY OF QUANTITIES
 BELMONT AVENUE

Rev. 5-30-07

F.A.U. RTE.	SECTION	COUNTY	TOTAL SHEETS	SHEET NO.
1374	0406 WRS	COOK	43	4
FED. ROAD DIST. NO. 1		ILLINOIS	HIGHWAY PROJECT	

D-91-106-07

SUMMARY OF QUANTITIES			URBAN 100% STATE TOTAL QUANTITIES	CONSTRUCTION TYPE CODE				SUMMARY OF QUANTITIES			URBAN 100% STATE TOTAL QUANTITIES	CONSTRUCTION TYPE CODE				
CODE NO	ITEM	UNIT		I000 ROADWAY	Y031-IF SIGNAL				CODE NO	ITEM		UNIT	I000 ROADWAY	Y031-IF SIGNAL		
60600605	CONCRETE CURB, TYPE B	FOOT	135	135				* 78000650	THERMOPLASTIC PAVEMENT MARKING - LINE 24"	FOOT	76	76				
60603800	COMBINATION CONCRETE CURB AND GUTTER, TYPE B-6 12	FOOT	1011	1011				* 78100100	RAISED REFLECTIVE PAVEMENT MARKER	EACH	110	110				
60604200	COMBINATION CONCRETE CURB AND GUTTER, TYPE B-6 12 SPECIAL	FOOT	50	50				78300200	RAISED REFLECTIVE PAVEMENT MARKER REMOVAL	EACH	60	60				
* 66900200	NON-SPECIAL WASTE DISPOSAL	CU YD	7	7				* 81000600	CONDUIT IN TRENCH, 2" DIA., GALVANIZED STEEL	FOOT	1065		1065			
* 66900450	SPECIAL WASTE PLANS AND REPORT	L SUM	1	1				* 81000700	CONDUIT IN TRENCH, 2 1/2" DIA., GALVANIZED STEEL	FOOT	6		6			
* 66900530	SOIL DISPOSAL ANALYSIS	EACH	1	1				* 81000800	CONDUIT IN TRENCH, 3" DIA., GALVANIZED STEEL	FOOT	25		25			
* 66900665	TCL SOIL ANALYSIS	EACH	1	1				* 81001000	CONDUIT IN TRENCH, 4" DIA., GALVANIZED STEEL	FOOT	10		10			
67000400	ENGINEER'S FIELD OFFICE, TYPE A	CAL MO	6	6				* 81018500	CONDUIT PUSHED, 2" DIA., GALVANIZED STEEL	FOOT	466		466			
67100100	MOBILIZATION	L SUM	1	1				* 81018600	CONDUIT PUSHED, 2 1/2" DIA., GALVANIZED STEEL	FOOT	14		14			
70100500	TRAFFIC CONTROL AND PROTECTION, STANDARD 701326	L SUM	1	1				* 81018900	CONDUIT PUSHED, 4" DIA., GALVANIZED STEEL	FOOT	223		223			
70102625	TRAFFIC CONTROL AND PROTECTION, STANDARD 701606	L SUM	1	1				* 81400100	HANDHOLE	EACH	7		7			
70102635	TRAFFIC CONTROL AND PROTECTION, STANDARD 701701	L SUM	1	1				* 81400200	HEAVY-DUTY HANDHOLE	EACH	2		2			
70103815	TRAFFIC CONTROL SURVEILLANCE	CAL DA	4	4				* 81400300	DOUBLE HANDHOLE	EACH	1		1			
70106800	CHANGEABLE MESSAGE SIGN	CAL MO	2	2				* 81900200	TRENCH AND BACKFILL FOR ELECTRICAL WORK	FOOT	1210		1210			
70300100	SHORT-TERM PAVEMENT MARKING	FOOT	846	846				* 85000200	MAINTENANCE OF EXISTING TRAFFIC SIGNAL INSTALLATION	EACH	1		1			
70300210	TEMPORARY PAVEMENT MARKING - LETTERS AND SYMBOLS	SQ FT	135.5	135.5				* 85700205	FULL-ACTUATED CONTROLLER AND TYPE IV CABINET, SPECIAL	EACH	1		1			
70300220	TEMPORARY PAVEMENT MARKING - LINE 4"	FOOT	3107	3107				* 86400100	TRANSCEIVER - FIBER OPTIC	EACH	1		1			
70300240	TEMPORARY PAVEMENT MARKING - LINE 6"	FOOT	438	438				* 87301215	ELECTRIC CABLE IN CONDUIT, SIGNAL NO. 14 2C	FOOT	496		496			
70300260	TEMPORARY PAVEMENT MARKING - LINE 12"	FOOT	41	41				* 87301225	ELECTRIC CABLE IN CONDUIT, SIGNAL NO. 14 3C	FOOT	910		910			
70300280	TEMPORARY PAVEMENT MARKING - LINE 24"	FOOT	76	76				* 87301245	ELECTRIC CABLE IN CONDUIT, SIGNAL NO. 14 5C	FOOT	1280		1280			
70301000	WORK ZONE PAVEMENT MARKING REMOVAL	SQ FT	94	94				* 87301255	ELECTRIC CABLE IN CONDUIT, SIGNAL NO. 14 7C	FOOT	592		592			
* 72000100	SIGN PANEL - TYPE 1	SQ FT	34.5		34.5			* 87301305	ELECTRIC CABLE IN CONDUIT, LEAD-IN, NO. 14 1 PAIR	FOOT	1557		1557			
* 78000100	THERMOPLASTIC PAVEMENT MARKING - LETTERS AND SYMBOLS	SQ FT	135.5	135.5				* 87502500	TRAFFIC SIGNAL POST, GALVANIZED STEEL 16 FT.	EACH	1		1			
* 78000200	THERMOPLASTIC PAVEMENT MARKING - LINE 4"	FOOT	3107	3107												
* 78000400	THERMOPLASTIC PAVEMENT MARKING - LINE 6"	FOOT	438	438												
* 78000600	THERMOPLASTIC PAVEMENT MARKING - LINE 12"	FOOT	41	41												

* SPECIALTY ITEM
** NON-PARTICIPATING ITEM

REVISIONS	
NAME	DATE

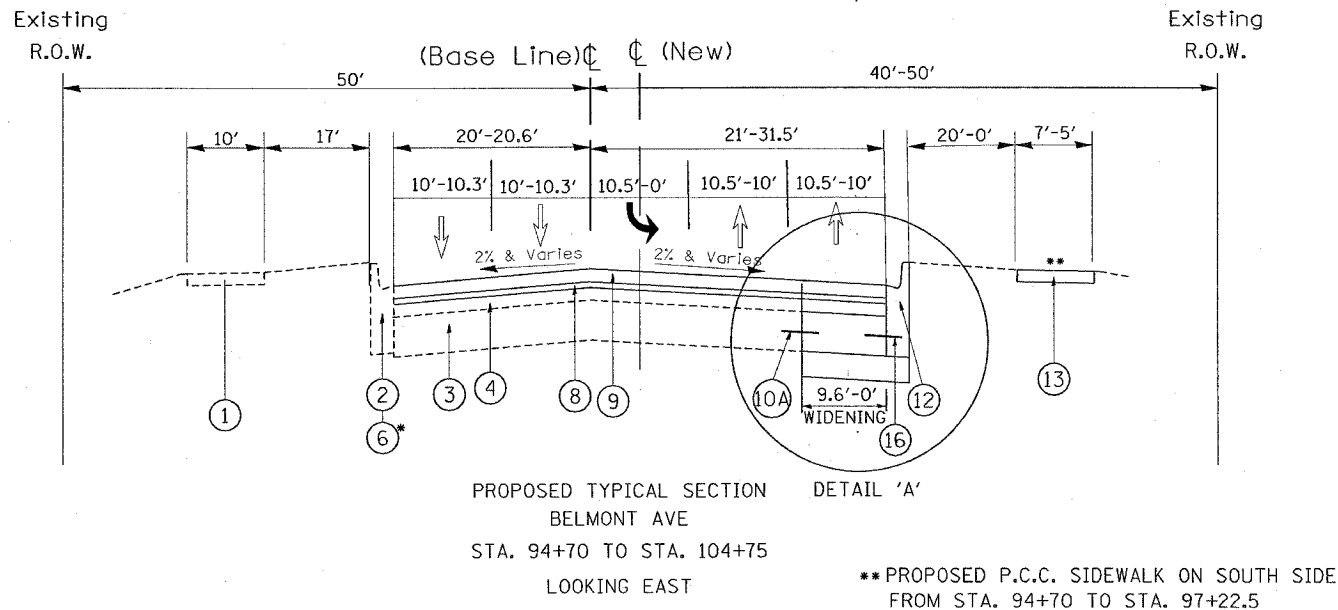
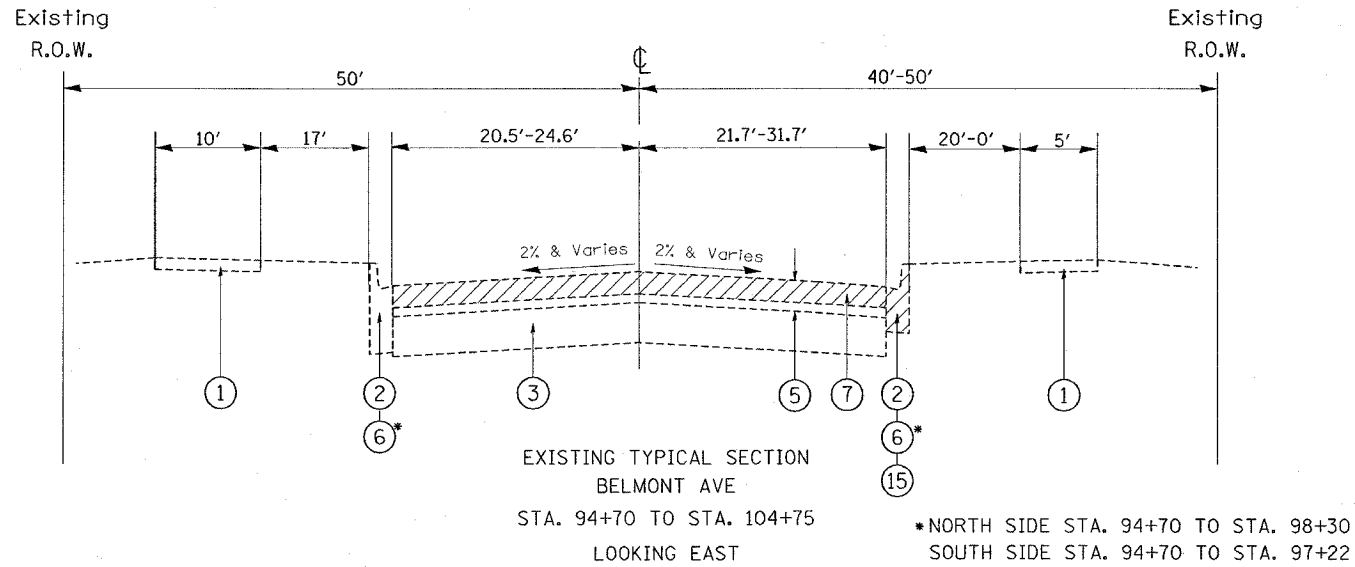
ILLINOIS DEPARTMENT OF TRANSPORTATION
SUMMARY OF QUANTITIES
BELMONT AVENUE

Rev. 5-30-07

F.A.U. RTE.	SECTION	COUNTY	TOTAL SHEETS	SHEET NO.
1374	0406 WRS	COOK	43	7
STA.		TO STA.		
FED. ROAD DIST. NO. 1		ILLINOIS FED. AID PROJECT		

LEGEND

- ① EXISTING P.C. CONCRETE SIDEWALK
- ② EXISTING COMBINATION CONCRETE CURB AND GUTTER, TYPE B6.12
- ③ EXISTING PC CONC. BASE COURSE ±8"
- ④ EXISTING HOT-MIX ASPHALT OVERLAY AFTER MILLING
- ⑤ EXISTING HOT-MIX ASPHALT OVERLAY ±5 1/2"
- ⑥ EXISTING COMBINATION CONCRETE CURB AND GUTTER, TYPE B6.24
- ⑦ PROPOSED HOT-MIX ASPHALT SURFACE REMOVAL, 2 1/2"
- ⑧ PROPOSED LEVELING BINDER (MACHINE METHOD), N70, 1"
- ⑨ PROPOSED HOT-MIX ASPHALT SURFACE COURSE, MIX "D", N70, 1 1/2"
- ⑩ PROPOSED PC CONC. BASE COURSE WIDENING (VARIABLE DEPTH) [△]
- ⑩A PROPOSED NO. 8 EPOXY COATED TIE BAR, DEFORMED, (DRILL AND GROUT), 24" LONG AT 24" SPACING. (INCLUDED IN THE COST OF THE PAVEMENT WIDENING)
- ⑪ PROPOSED SUB-BASE GRANULAR MATERIAL, TYP B 4"
- ⑫ PROPOSED COMBINATION CONCRETE CURB AND GUTTER, TYPE B 6.12
- ⑬ PROPOSED PC CONCRETE SIDEWALK, 5"
- ⑭ PROPOSED LEVELING BINDER (MACHINE METHOD) N70
- ⑮ PROPOSED CURB & GUTTER REMOVAL (SAW CUT SHALL BE INCLUDED IN THE PRICE OF REMOVAL)
- ⑯ PROPOSED NO. 6 EPOXY COATED TIE BAR, DEFORMED, (DRILL AND GROUT), 24" LONG AT 24" SPACING. (INCLUDED IN THE COST OF COMBINATION CURB AND GUTTER)
- [△] ⑰ COMBINATION CONCRETE CURB AND GUTTER, TYPE B-6.12 (SPECIAL)

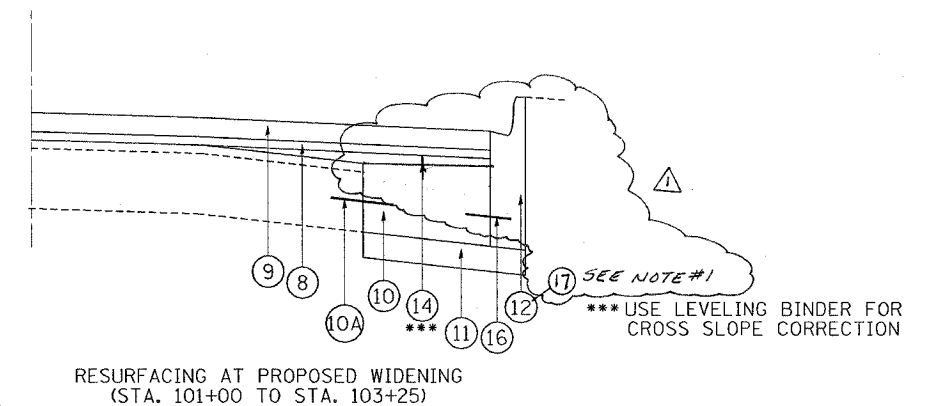


HOT-MIX ASPHALT MIXTURE REQUIREMENTS

MIXTURE TYPE	AC TYPE	AIR VOIDS
PAVEMENT RESURFACING		
LEVELING BINDER (MACHINE METHOD), N70 (IL-9.5 MM)	PG 64-22 *	4.0% @ 70 GYR
HOT-MIX ASPHALT SURFACE COURSE, MIX "D", N70 (IL-9.5MM)	PG 64-22	4.0% @ 70 GYR
PATCHING		
CLASS D PATCHES (BINDER IL-19MM)	PG 64-22 *	4.0% @ 70 GYR
HOT-MIX ASPHALT REPLACEMENT OVER PATCHES (BINDER IL-19MM)	PG 64-22 *	4.0% @ 70 GYR

THE UNIT WEIGHT USED TO CALCULATE ALL HOT-MIX ASPHALT SURFACE MIX QUANTITIES IS 112 LBS/SQYD/IN
*WHEN RAP EXCEEDS 20% THE NEW ASPHALT BINDER IN THE MIX SHALL BE PG 58-22

DETAIL A



NOTE #1:
WHERE PCC WIDENING IS LESS THAN 3 FEET USE COMBINATION CONCRETE CURB AND GUTTER TYPE B 6.12 (SPECIAL) FOR PROPOSED CURB. THE COMBINATION CONCRETE CURB AND GUTTER TYPE B 6.12 (SPECIAL) SHALL BE POURED MONOLITHICALLY WITH THE PCC WIDENING. THE COMBINATION CONCRETE CURB AND GUTTER, TYPE B 6.12 (SPECIAL) SHALL BE PAID FOR AT THE CONTRACT UNIT PRICE PER METER (FOOT).

REVISIONS	
NAME	DATE

ILLINOIS DEPARTMENT OF TRANSPORTATION
BELMONT AVENUE
AT PLAINFIELD AVENUE
TYPICAL CROSS SECTIONS
SCALE: N.T.S.
DATE
DRAWN BY
CHECKED BY

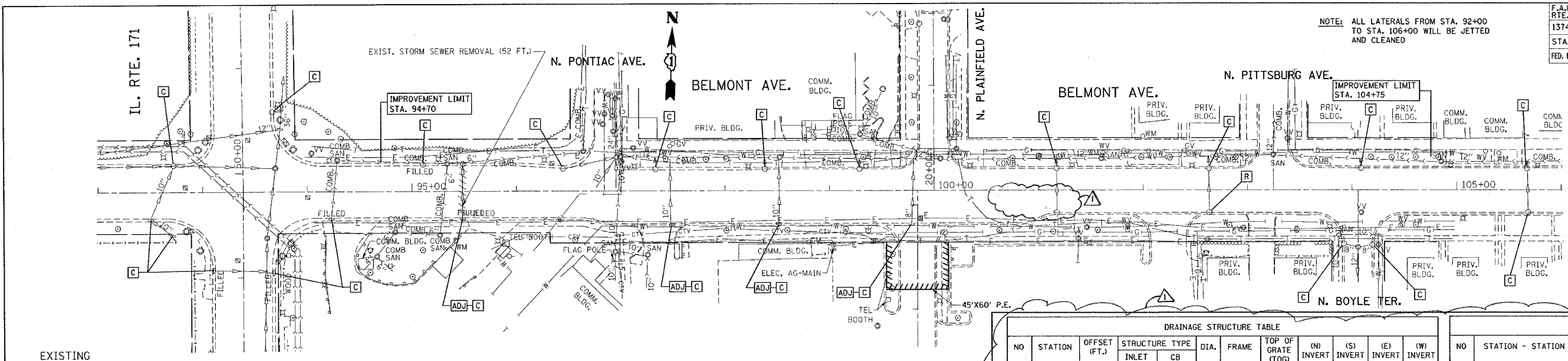
F.A.U. RTE.	SECTION	COUNTY	TOTAL SHEETS	SHEET NO.
1374	0406 WRS	COOK	75	12
STA. 94+70		TO STA. 104+75		
FED. ROAD DIST. NO.		ILLINOIS FED. AID PROJECT		

NOTE: ALL LATERALS FROM STA. 92+00 TO STA. 106+00 WILL BE JETTED AND CLEANED

- [R] REMOVE STRUCTURE
- [ADJ] ADJUST STRUCTURE
- [C] CLEAN STRUCTURE

DRAINAGE STRUCTURE REMOVAL		
STA.	OFFSET	TYPE
102+63	21 S	CB

PIPE REMOVAL		
STA.	DIA. (IN.)	LIN. FT.
95+49	10"	52

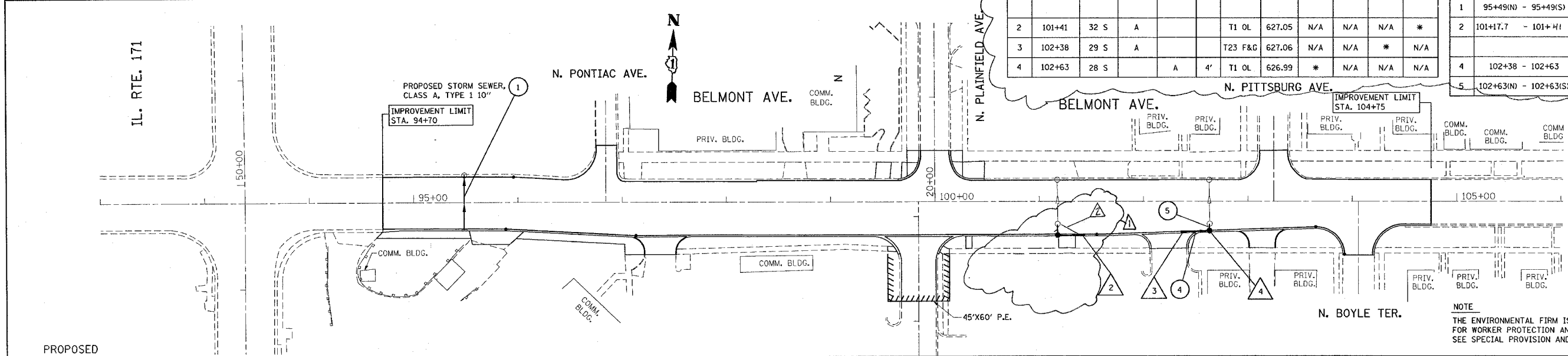


DRAINAGE STRUCTURE TABLE											
NO	STATION	OFFSET (FT.)	STRUCTURE TYPE		DIA.	FRAME	TOP OF GRATE (TOG)	(N) INVERT	(S) INVERT	(E) INVERT	(W) INVERT
			INLET	CB							
1	101+41	32 S	A			T1 OL	627.05	N/A	N/A	N/A	*
2	102+38	29 S	A			T23 F&G	627.06	N/A	N/A	*	N/A
3	102+63	28 S		A	4'	T1 OL	626.99	*	N/A	N/A	N/A

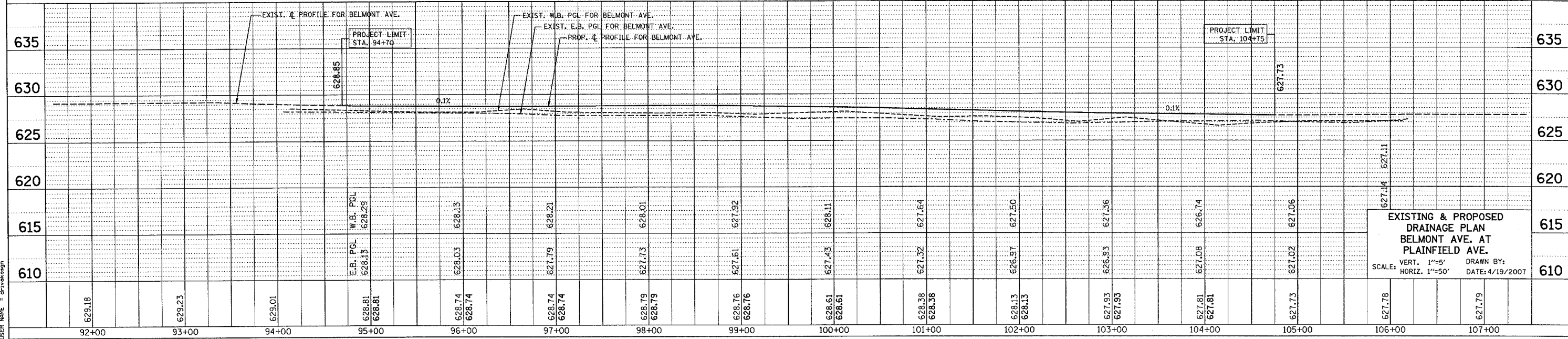
PIPE TABLE						
NO	STATION - STATION	TYPE	DIA. (IN.)	LIN. FT.	TB (CU.YD.)	SLOPE FT/FT
1	95+49(N) - 95+49(S)	1 RCP	10"	52	17.2	**
2	101+17.7 - 101+41	1 RCP	10"	25	8.0	**
4	102+38 - 102+63	1 RCP	8"	22	7.0	**
5	102+63(N) - 102+63(S)	1 RCP	10"	7	2.3	**

* STRUCTURE FILLED WITH WATER INVERT TO BE DETERMINED BY THE ENGINEER IN FIELD ONCE STRUCTURE IS CLEANED

** TO BE DETERMINED BY ENGINEER ONCE STRUCTURES ARE CLEANED



NOTE: THE ENVIRONMENTAL FIRM IS REQUIRED TO CONTINUOUSLY MONITOR FOR WORKER PROTECTION AND SOIL CONTAMINATION AT SEVERAL AREAS. SEE SPECIAL PROVISION AND SPECIFICATIONS FOR DETAILS.



EXISTING & PROPOSED DRAINAGE PLAN
BELMONT AVE. AT
PLAINFIELD AVE.
SCALE: VERT. 1"=5' HORIZ. 1"=50' DRAWN BY: DATE: 4/19/2007

PLAN SURVEYED PLOTTED CHECKED
NOTE BOOK NO. OF WAY CHECKED
NO. CAD FILE NAME

PROFILE REVISIONS
REVISIONS
DATE
BY

PLOT DATE = 4/19/2007
FILE NAME = c:\projects\1111111111\1111111111.dwg
USER NAME = drake