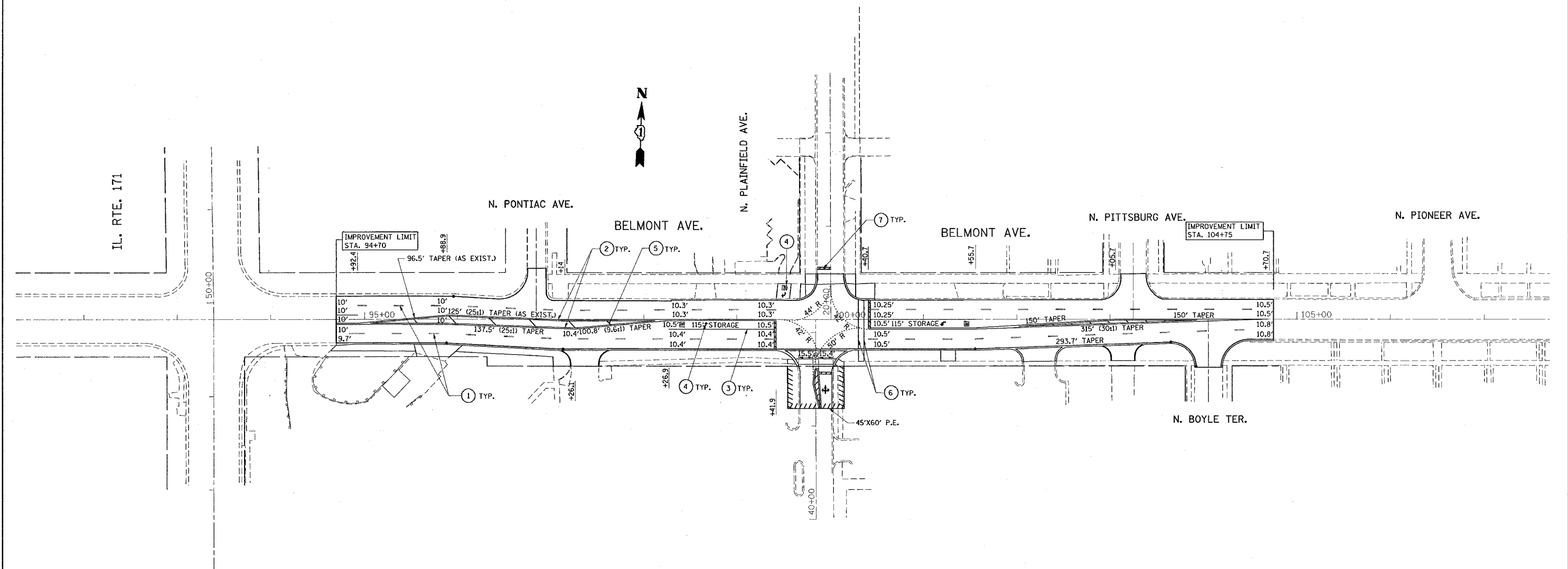


F.A. RTE.	SECTION	COUNTY	TOTAL SHEETS	SHEET NO.
1574	0406 WRS	COOK	43	13
STA.		TO STA.		
FED. ROAD DIST. NO.		ILLINOIS FED. AID PROJECT		



PAVEMENT MARKING LEGEND

- ① 4" LANE LINE- WHITE SKIP DASH
- ② 4" DOUBLE YELLOW SOLID LINE
- ③ 5" TURN LANE-WHITE
- ④ LETTERS & SYMBOLS-WHITE
- ⑤ 12" DIAGONALS-YELLOW @ 45°
- ⑥ 6" CROSS WALK-WHITE
- ⑦ 24" STOP BAR-WHITE

NOTES

ALL FINAL PAVEMENT MARKINGS SHALL BE THERMOPLASTIC (OF THE EXTRUDED TYPE) AND SHOULD BE PLACED IN ACCORDANCE WITH "CITY OF CHICAGO TYPICAL PAVEMENT MARKINGS" DETAIL, (TC-24).

ALL RAISED REFLECTIVE PAVEMENT MARKERS SHALL BE PLACED IN ACCORDANCE WITH THE DISTRICT ONE "TYPICAL APPLICATIONS RAISED REFLECTIVE PAVEMENT MARKER DETAIL." (TC-11).

REVISIONS	
NAME	DATE

ILLINOIS DEPARTMENT OF TRANSPORTATION

**BELMONT AVENUE
@ PLAINFIELD AVENUE
PAVEMENT MARKING PLAN**

SCALE: 1"=50'
DATE: 4/2/2007

DRAWN BY
CHECKED BY

PLOT DATE = 4/2/2007
 FILE NAME = C:\p1108507\ah.pmlc.dgn
 PLOT SCALE = 50.0000 / IN.
 USER NAME = ah.pmlc