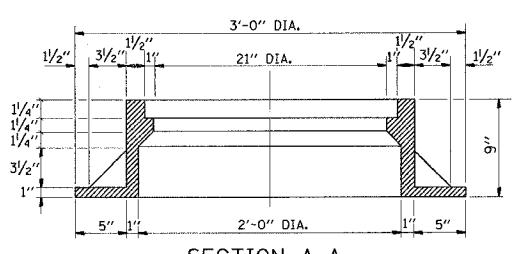
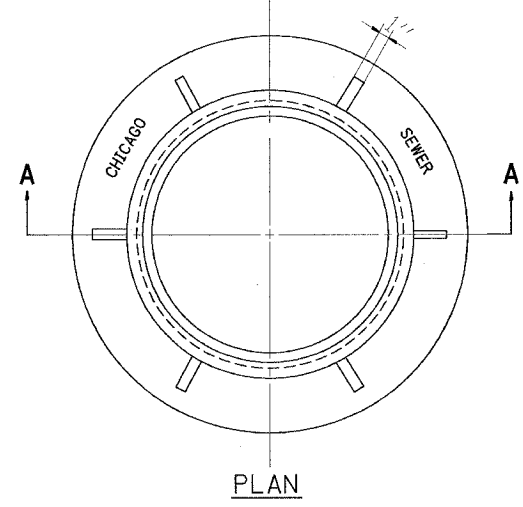
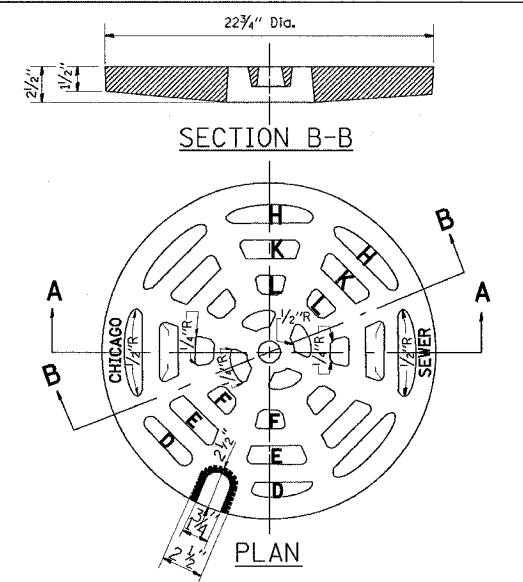


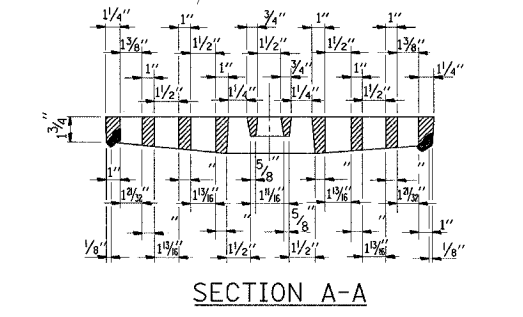
F.A. RT.	SECTION	COUNTY	TOTAL SHEETS	SHEET NO.
1579	0406 WRS	Cook	45	26
STA.		TO STA.		
FED. ROAD DIST. NO.		ILLINOIS FED. AID PROJECT		



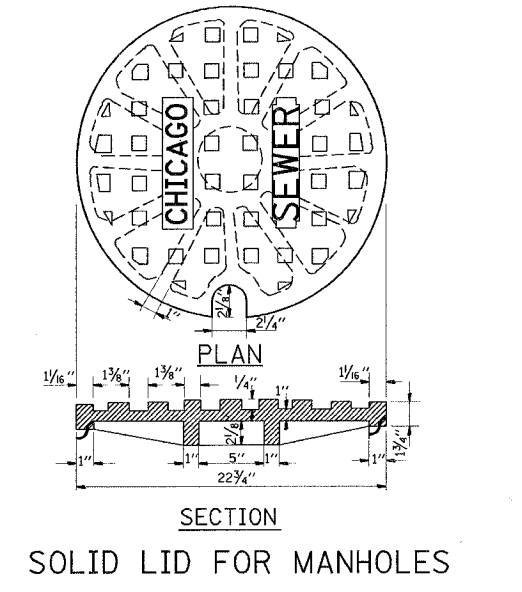
CHICAGO STANDARD MANHOLE FRAME
 SCALE: 1/2"=1'-0"
 MATERIAL: CAST IRON



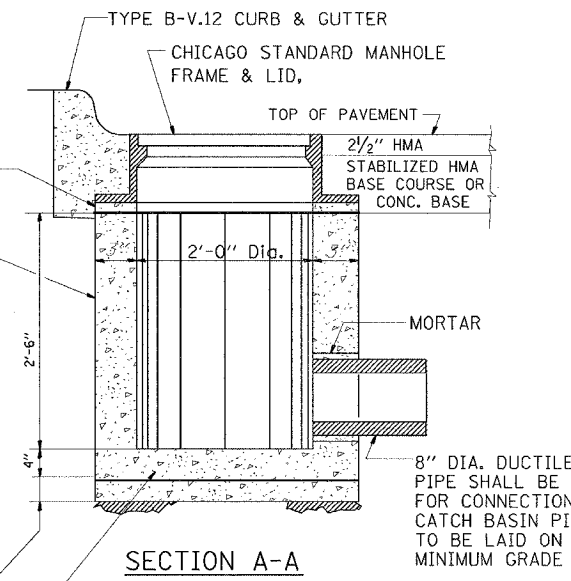
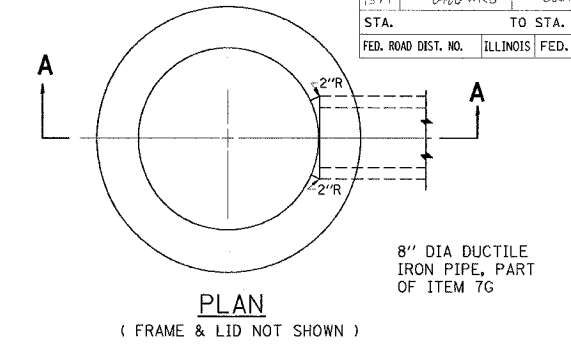
- SECTION D-D**
- SECTION E-E**
- SECTION F-F**
- SECTION H-H**
- SECTION K-K**
- SECTION L-L**



PERFORATED LID FOR CATCH BASINS & MANHOLES
 SCALE: 2"=1'-0"
 MATERIAL: CAST IRON



SCALE: NONE
 MATERIAL: CAST IRON

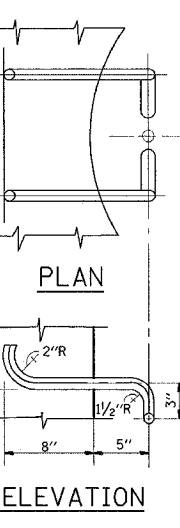
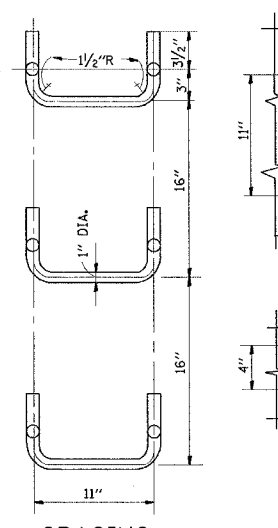
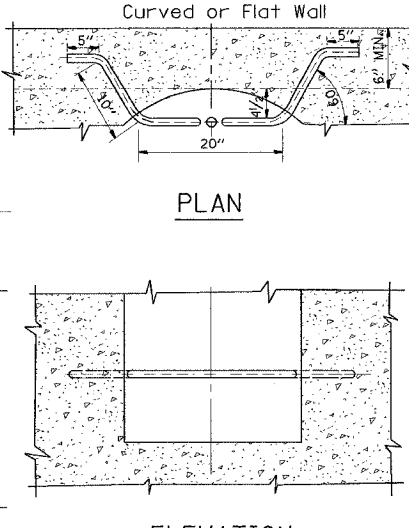
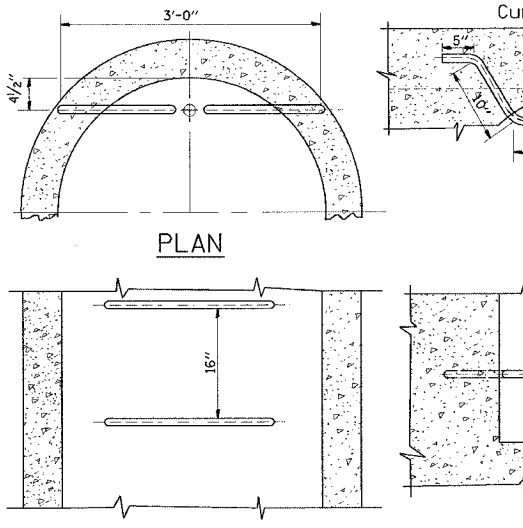


8" DIA. DUCTILE IRON PIPE, PART OF ITEM 7G

TYPE B-V.12 CURB & GUTTER
 CHICAGO STANDARD MANHOLE FRAME & LID,
 TOP OF PAVEMENT
 2 1/2" HMA STABILIZED HMA BASE COURSE OR CONC. BASE
 MORTAR

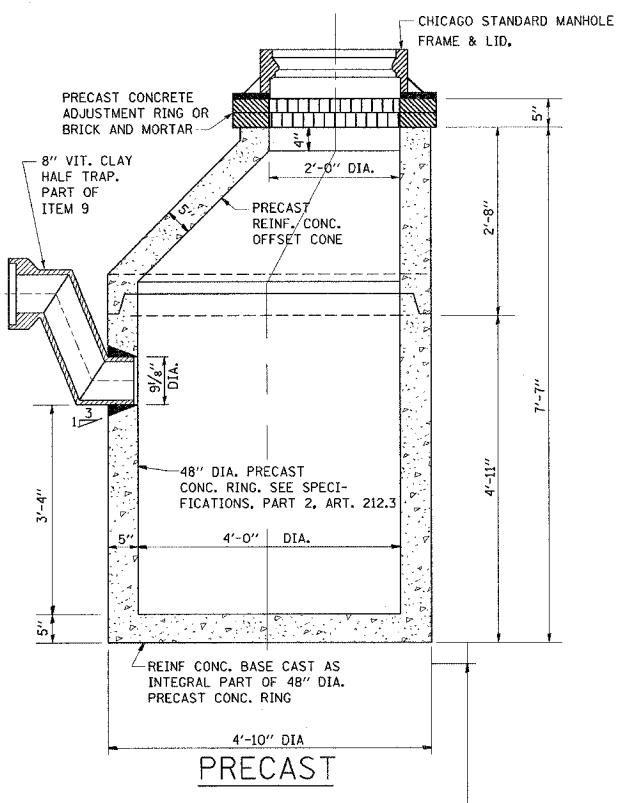
24" DIA. PRECAST CONC. RING
 SEE SPECIFICATIONS, PART 2, ART 212.3

8" DIA. DUCTILE IRON PIPE SHALL BE USED FOR CONNECTION TO CATCH BASIN PIPE TO BE LAID ON A MINIMUM GRADE OF 1%



STANDARD LADDER RUNGS

ALL LADDER RUNGS SHALL BE ALUMINUM OR GALVANIZED WROUGHT IRON AS SPECIFIED IN THE SPECIFICATIONS, PART 2, ARTICLE 214.2. RUNGS SHALL BE 1" DIAMETER OR OF A SHAPE HAVING AN EQUIVALENT CROSS-SECTIONAL AREA.



NOTE: 6" MINIMUM GRANULAR EMBEDMENT UNDER ALL CATCH BASINS

STANDARD CATCH BASINS
 SCALE: 3/4"=1'-0"
 ITEM 9

STANDARD INLETS
 SCALE: 1"=1'-0"
 ITEM 12

THIS INLET DETAIL IS SOMETIMES REFERRED TO AS "CHICAGO STANDARD INLET, TYPE A"

NOTE:
 INLETS SHALL NOT BE CONSTRUCTED UNLESS IT IS IMPOSSIBLE TO CONSTRUCT A CATCH BASIN. THE CONTRACTOR SHALL HAVE THE DEPARTMENT OF SEWERS APPROVAL BEFORE CONSTRUCTING INLETS.

REVISIONS	
NAME	DATE
M. GOMEZ	01/25/01

CITY OF CHICAGO
 DEPARTMENT OF SEWERS
 ENGINEERING DIVISION

ILLINOIS DEPARTMENT OF TRANSPORTATION

CITY OF CHICAGO
 CATCH BASIN, INLET AND
 MANHOLE DETAILS

SCALE: VERT. NONE
 HORIZ. NONE

DRAWN BY
 CHECKED BY