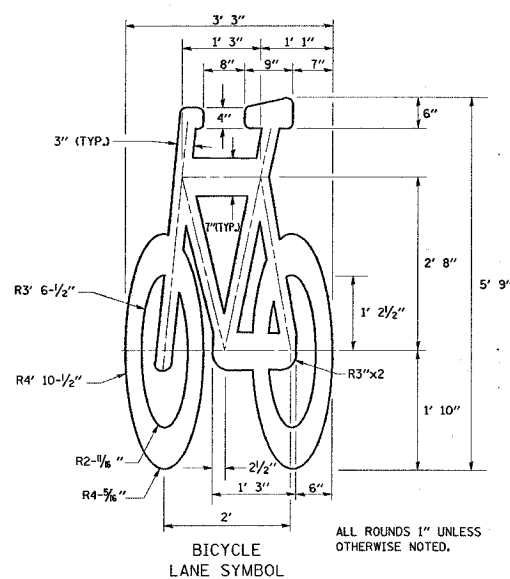
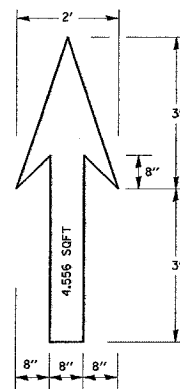


F.A. RTE.	SECTION	COUNTY	TOTAL SHEETS	SHEET NO.
1374	0406 WMS	COOK	43	25
STA.		TO STA.		
FED. ROAD DIST. NO.		ILLINOIS FED. AID PROJECT		

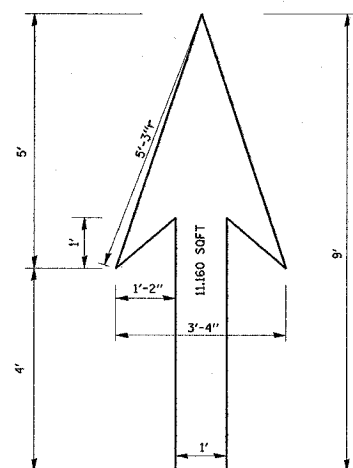


**NOTE:**

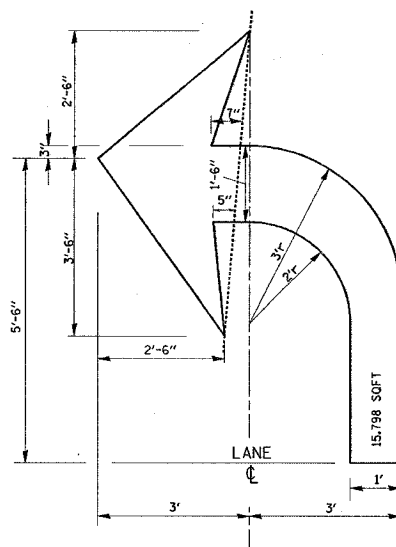
- 1.) FOR BIKE LANE SYMBOLS ONLY, USE PRE-FORMED THERMOPLASTIC WITH A MINIMUM THICKNESS OF 90 MILS, MINIMUM SKID RESISTANCE VALUE OF 60 BPN, & A MINIMUM INDEX OF REFRACTION OF 1.50.
- 2.) THE RESIDENT ENGINEER SHALL CONTACT MR. BEN GOMBERG AT 312-744-8093 AT LEAST ONE CALENDAR WEEK PRIOR TO INSTALLING BIKE LANE SYMBOLS.

TYPICAL BIKE LANE SYMBOLS  
DRAWING #28

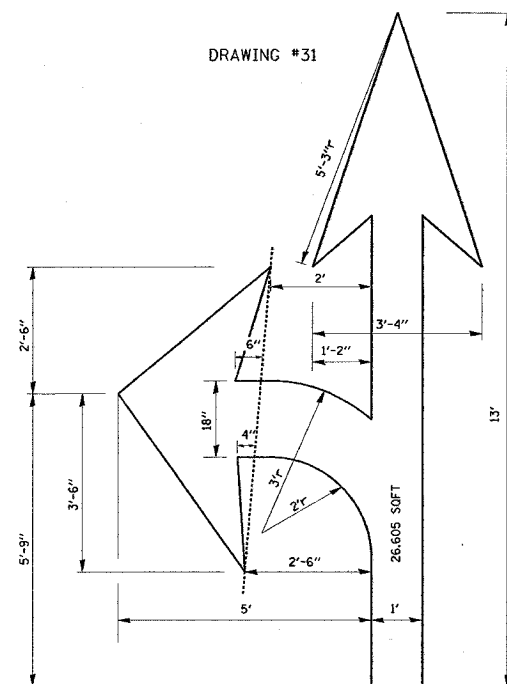
DRAWING #29



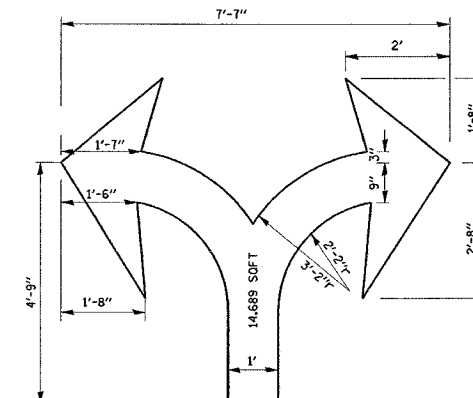
DRAWING #30



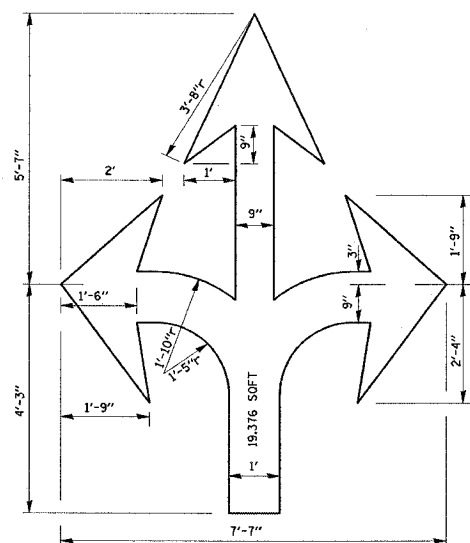
DRAWING #31



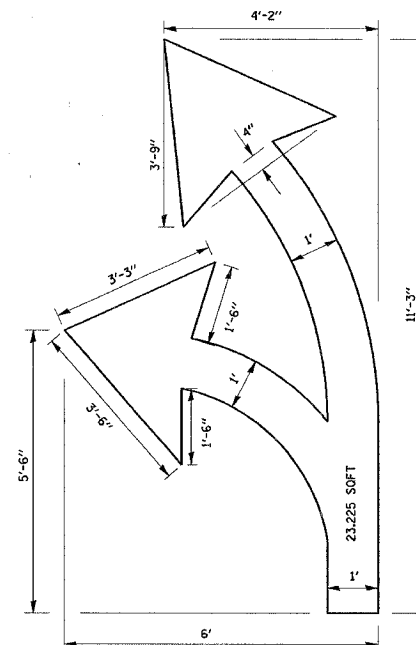
DRAWING #32



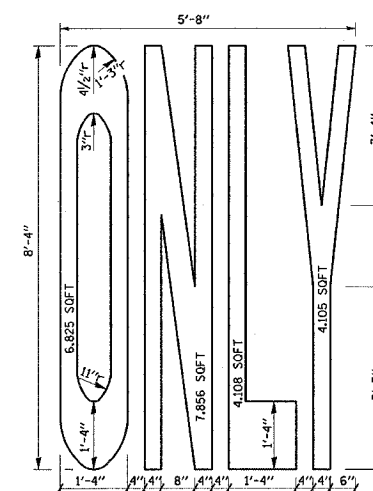
DRAWING #33



DRAWING #34



DRAWING #35



**NOTE:**

ALL MARKINGS SHALL BE SOLID WHITE UNLESS OTHERWISE NOTED IN THE PLANS

REVISIONS	
NAME	DATE
T. RAMMACHER	12/07/00

ILLINOIS DEPARTMENT OF TRANSPORTATION

CITY OF CHICAGO  
TYPICAL PAVEMENT  
MARKINGS

SCALE: NONE

DRAWN BY  
CHECKED BY  
TC-24