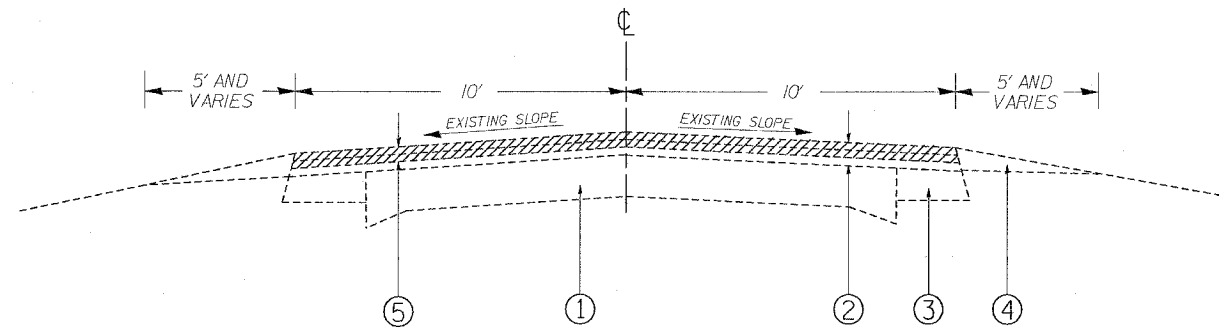


F.A.P. RTE.	SECTION	COUNTY	TOTAL SHEETS	SHEET NO.
531	40 X-RS-8	WILL	18	4
STA.		TO STA.		
FED. ROAD DIST. NO.		ILLINOIS FED. AID PROJECT		

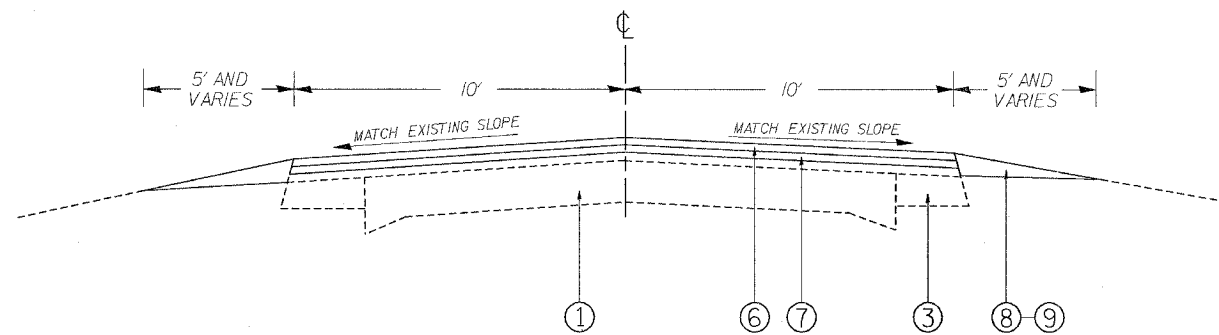


MANHATTAN-MONEE ROAD
EXISTING TYPICAL SECTION

STA 55+16 TO STA 83+27
STA 84+44 TO STA 108+06

LEGEND

- ① EXISTING 9"- 6"- 9" P.C.C. PAVEMENT
- ② EXISTING HOT-MIX ASPHALT PAVEMENT, ± 3¾"
- ③ EXISTING HOT-MIX ASPHALT SHOULDER
- ④ EXISTING AGGREGATE SHOULDER, TYPE B
- ⑤ PROPOSED SURFACE REMOVAL, 2½"
- ⑥ PROPOSED HOT-MIX ASPHALT SURFACE COURSE, MIX "D", N70, 1½"
- ⑦ PROPOSED LEVELING BINDER (MM), N70, 1"
- ⑧ PROPOSED AGGREGATE WEDGE SHOULDER, TYPE 3
- ⑨ PROPOSED GRADING AND SHAPING SHOULDERS



MANHATTAN-MONEE ROAD
PROPOSED TYPICAL SECTION

STA 55+16 TO STA 83+27
STA 84+44 TO STA 108+06

REVISIONS		ILLINOIS DEPARTMENT OF TRANSPORTATION
NAME	DATE	
		<p>MANHATTAN-MONEE ROAD SCHEER RD. TO CENTER RD. EXISTING AND PROPOSED TYPICAL SECTIONS</p> <p>SCALE: VERT. DRAWN BY HORIZ. CHECKED BY DATE</p>