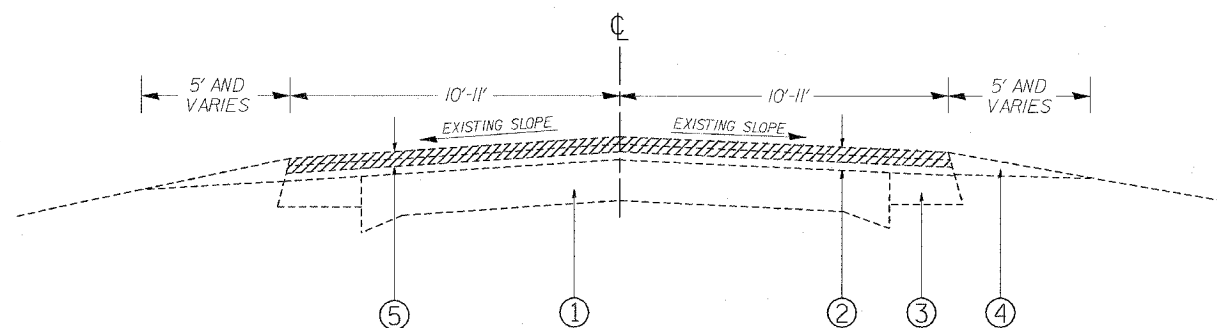


F.A.P. RTE.	SECTION	COUNTY	TOTAL SHEETS	SHEET NO.
531	40 X-RS-8	WILL	18	5
STA.		TO STA.		
FED. ROAD DIST. NO.	ILLINOIS	FED. AID PROJECT		

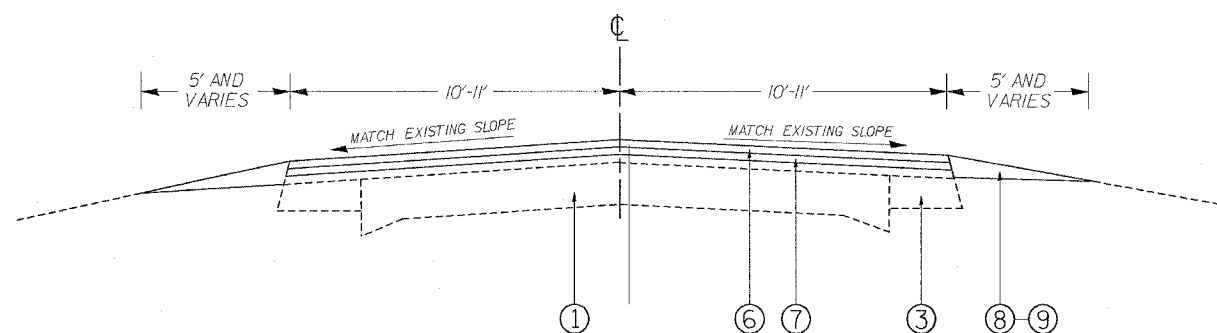


**MANHATTAN-MONEE ROAD
EXISTING TYPICAL SECTION**

STA 108+06 TO STA 214+16

LEGEND

- ① EXISTING 9"- 6"- 9" P.C.C. PAVEMENT
- ② EXISTING HOT-MIX ASPHALT PAVEMENT, ± 3¾"
- ③ EXISTING HOT-MIX ASPHALT SHOULDER
- ④ EXISTING AGGREGATE SHOULDER, TYPE B
- ⑤ PROPOSED SURFACE REMOVAL, 2½"
- ⑥ PROPOSED HOT-MIX ASPHALT SURFACE COURSE, MIX "D", N70, 1½"
- ⑦ PROPOSED LEVELING BINDER (MM), N70, 1"
- ⑧ PROPOSED AGGREGATE WEDGE SHOULDER, TYPE B
- ⑨ PROPOSED GRADING AND SHAPING SHOULDERS



**MANHATTAN-MONEE ROAD
PROPOSED TYPICAL SECTION**

STA 108+06 TO STA 214+16

REVISIONS	
NAME	DATE

ILLINOIS DEPARTMENT OF TRANSPORTATION

MANHATTAN-MONEE ROAD
SCHEER RD. TO CENTER RD.
EXISTING AND PROPOSED TYPICAL SECTIONS

SCALE: VERT. _____
HORIZ. _____
DATE _____ DRAWN BY _____
CHECKED BY _____