
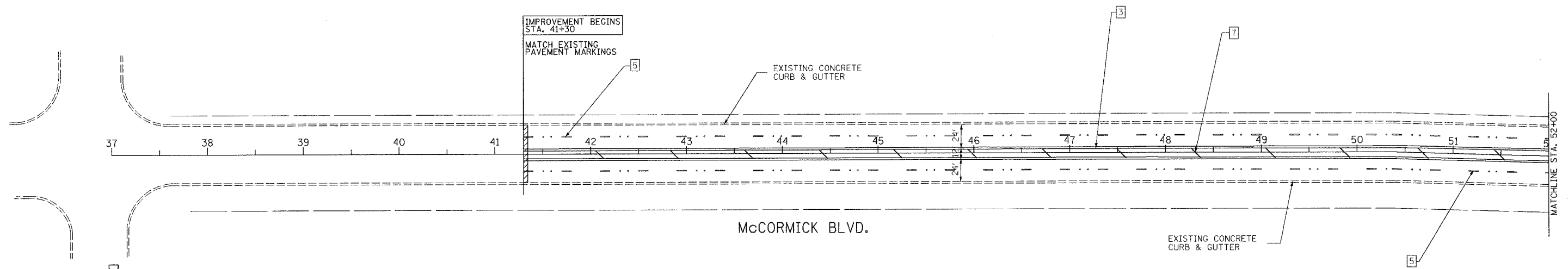
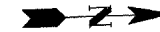


CONTRACT NO. 60C95

F.A. ROUTE NO.	SECTION	COUNTY	TOTAL SHEETS	SHEET NO.
378	*	COOK	33	5
STA. TO STA.		ILLINOIS FED. AID PROJECT		
FED. ROAD DIST. NO.		* (3738 & 3839) RS-3		

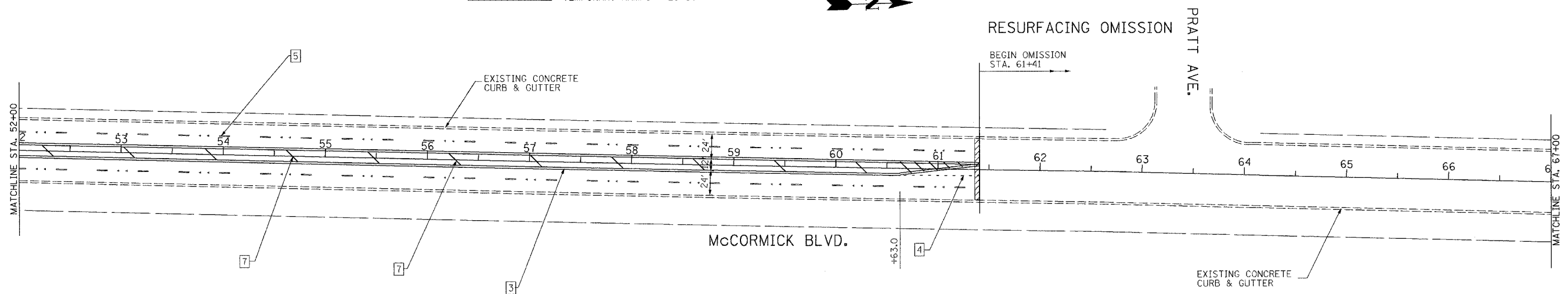
 HOT-MIX ASPHALT SURFACE REMOVAL
BUTT JOINT - 30SY
TEMPORARY RAMPS - 20 SY



LEGEND

- | | |
|---|--|
| 1 THERMOPLASTIC PAVEMENT MARKING - LINE 4" (YELLOW SOLID LINE) | 6 THERMOPLASTIC PAVEMENT MARKING - LINE 6" (WHITE SOLID LINE) |
| 2 THERMOPLASTIC PAVEMENT MARKING - LINE 4" (YELLOW SKIP DASH - 10' DASH, 30' SKIP) | 7 THERMOPLASTIC PAVEMENT MARKING - LINE 12" (YELLOW DIAGONAL LINE) |
| 3 THERMOPLASTIC PAVEMENT MARKING - LINE 4" (DOUBLE YELLOW SOLID LINE) | 8 THERMOPLASTIC PAVEMENT MARKING - LINE 24" (WHITE STOP LINES) |
| 4 THERMOPLASTIC PAVEMENT MARKING - LINE 6" (WHITE LANE LINE - 2' DASH, 6' SKIP) | 9 THERMOPLASTIC PAVEMENT MARKING - LETTERS & SYMBOLS (TYP.) |
| 5 THERMOPLASTIC PAVEMENT MARKING - LINE 4" (WHITE LANE LINE - 10' DASH, 30' SKIP W/ 2 CRYSTAL/OPAQUE RPM'S) | 10 THERMOPLASTIC PAVEMENT MARKING - LINE 8" (WHITE SOLID LINE) |


 HOT-MIX ASPHALT SURFACE REMOVAL
BUTT JOINT - 30SY
TEMPORARY RAMPS - 20 SY



LEGEND

- | | |
|---|--|
| 1 THERMOPLASTIC PAVEMENT MARKING - LINE 4" (YELLOW SOLID LINE) | 6 THERMOPLASTIC PAVEMENT MARKING - LINE 6" (WHITE SOLID LINE) |
| 2 THERMOPLASTIC PAVEMENT MARKING - LINE 4" (YELLOW SKIP DASH - 10' DASH, 30' SKIP) | 7 THERMOPLASTIC PAVEMENT MARKING - LINE 12" (YELLOW DIAGONAL LINE) |
| 3 THERMOPLASTIC PAVEMENT MARKING - LINE 4" (DOUBLE YELLOW SOLID LINE) | 8 THERMOPLASTIC PAVEMENT MARKING - LINE 24" (WHITE STOP LINES) |
| 4 THERMOPLASTIC PAVEMENT MARKING - LINE 6" (WHITE LANE LINE - 2' DASH, 6' SKIP) | 9 THERMOPLASTIC PAVEMENT MARKING - LETTERS & SYMBOLS (TYP.) |
| 5 THERMOPLASTIC PAVEMENT MARKING - LINE 4" (WHITE LANE LINE - 10' DASH, 30' SKIP W/ 2 CRYSTAL/OPAQUE RPM'S) | 10 THERMOPLASTIC PAVEMENT MARKING - LINE 8" (WHITE SOLID LINE) |

REVISIONS		ILLINOIS DEPARTMENT OF TRANSPORTATION ROADWAY AND PAVEMENT MARKING PLAN
NAME	DATE	
		FAP 378 (McCORMICK BLVD.) EMERSON ST./GOLF RD. TO DEVON AVE. SCALE: 1"=50' DATE: 4/13/07 DRAWN BY: LT CHECKED BY: RJS

 GRAEF, ANHALT, SCHLOEMER & ASSOCIATES, INC.
CHICAGO, ILLINOIS