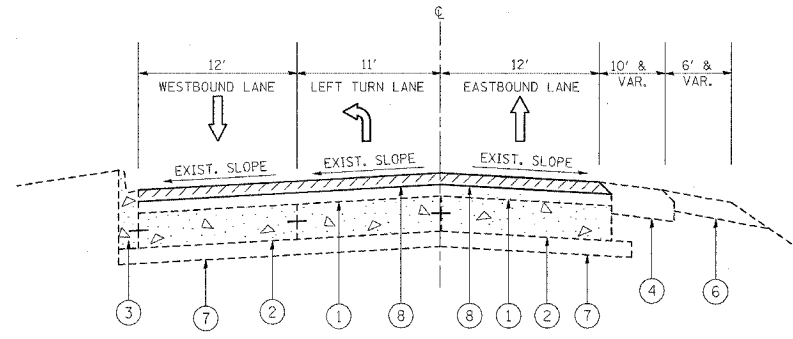
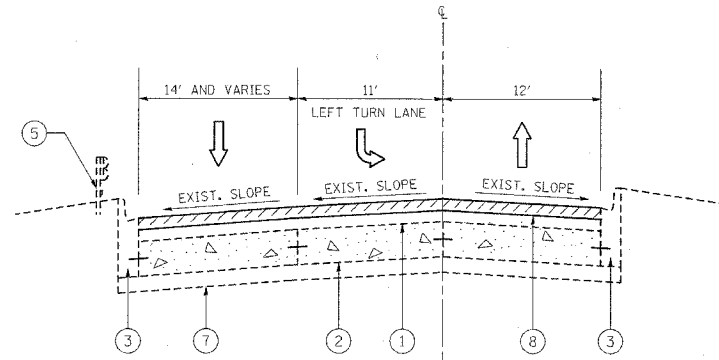
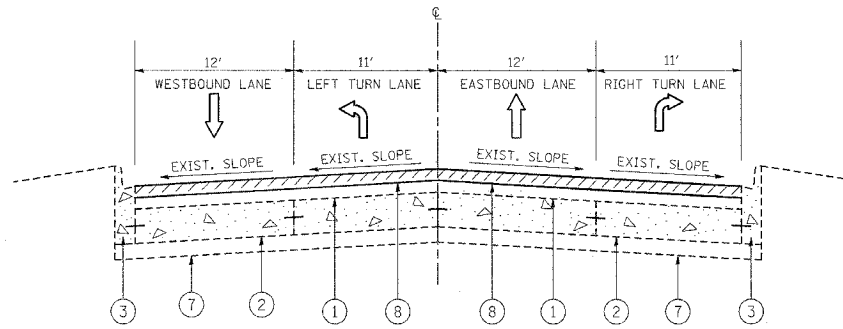
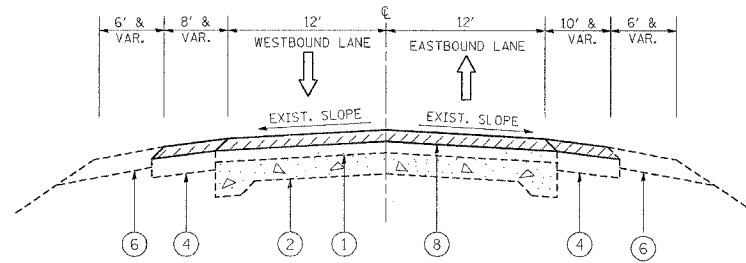


F.A.P. RTE.	SECTION	COUNTY	TOTAL SHEETS	SHEET NO.
303	136 RS-4	LAKE	25	4
STA.		TO STA.		
FED. ROAD DIST. NO. 1		ILLINOIS FED. AID PROJECT		
CONTRACT NO. 60D10				



LEGEND

- ① EXISTING HMA SURFACING, ± 4"
- ② EXISTING PCC PAVEMENT, ± 9"
- ③ EXISTING COMBINATION CONCRETE CURB AND GUTTER TYPE B-6.24, TYPE B-6.18, & TYPE B-6.12
- ④ EXISTING HMA SHOULDER, 10', 8' & VARIES
- ⑤ EXISTING SPBGR, TYPE A
- ⑥ EXISTING AGGREGATE SHOULDER, TYPE B
- ⑦ EXISTING SUB-BASE GRANULAR MATERIAL, TYPE B
- ⑧ PROPOSED HMA SURFACE REMOVAL, 2-1/2"
- ⑨ PROPOSED LEVELING BINDER (MM), N70, 1"
- ⑩ PROPOSED HMA SURFACE COURSE, MIX "D", N70, 1-1/2"
- ⑪ PROPOSED COMB. CONC. CURB & GUTTER (R & R)
- ⑫ PROPOSED AGGREGATE WEDGE SHOULDER, TYPE B
- ⑬ PROPOSED GRADING AND SHAPING SHOULDERS



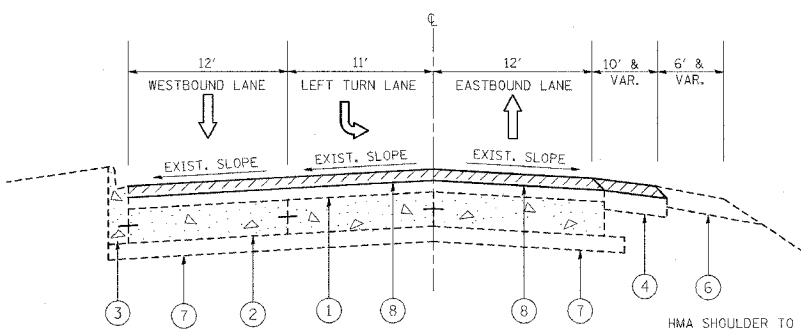
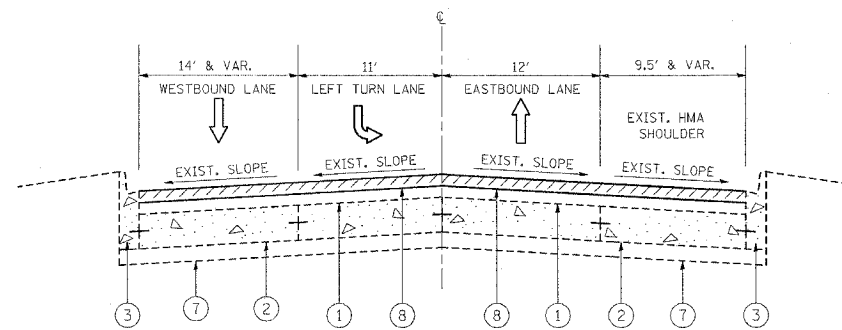
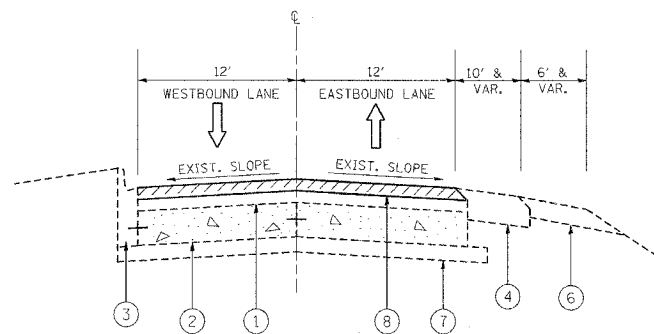
HOT-MIX ASPHALT MIXTURE REQUIREMENTS
THE FOLLOWING MIXTURE REQUIREMENTS ARE APPLICABLE FOR THIS PROJECT.

MIXTURE TYPE	AC/PG	AIR VOIDS (%)
LEVELING BINDER (MM), N70 *	PG 64-22/ 58-22	4% @ 70 GYR
HOT-MIX ASPHALT SURFACE COURSE, MIX "D", N70	PG 64-22	4% @ 70 GYR
CLASS D PATCHES BINDER IL-19.0 MM	PG 64-22/ 58-22	4% @ 70 GYR
HOT-MIX ASPHALT REPLACEMENT OVER PATCHES, BINDER IL-19.0 MM *	PG 64-22/ 58-22	4% @ 70 GYR

NOTE:

THE UNIT WEIGHT USED TO CALCULATE ALL BITUMINOUS SURFACE MIXTURE QUANTITIES IS 112 POUNDS PER SQUARE YARD PER INCH.

* WHEN RAP EXCEEDS 20%, THE NEW ASPHALT BINDER IN THE MIX SHALL BE 58-22.



REVISIONS	
NAME	DATE

ILLINOIS DEPARTMENT OF TRANSPORTATION
ILL 173
LEWIS AVE. TO IL 137 (SHERIDAN AVE.)

EXISTING TYPICAL SECTIONS

SCALE: VERT. _____
HORIZ. _____
DATE _____

DRAWN BY _____
CHECKED BY _____

PLOT DATE = 4/25/2007
FILE NAME = c:\p\proj\136\136007.dwg
PLOT SCALE = 50.0000' / 1" IN.
USER NAME = gureshup