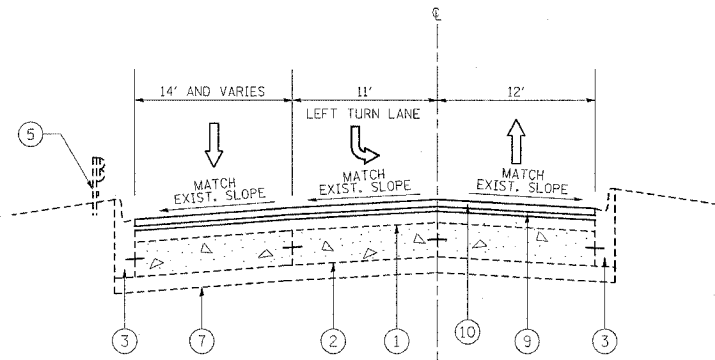
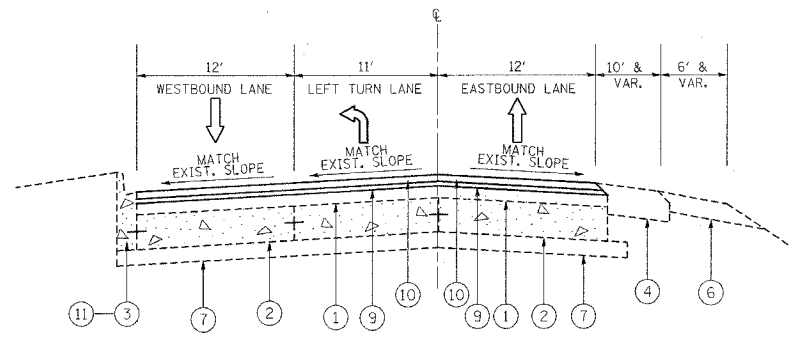


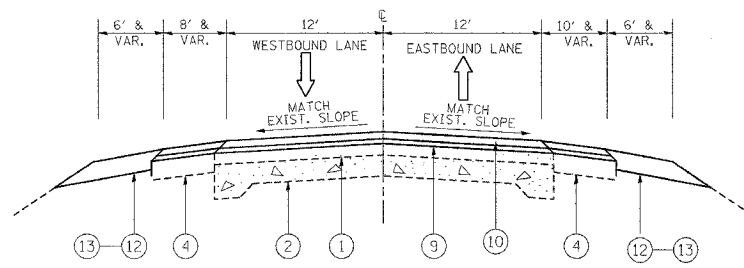
F.A.P. RTE.	SECTION	COUNTY	TOTAL SHEETS	SHEET NO.
303	136 RS-4	LAKE	25	5
STA.		TO STA.		
FED. ROAD DIST. NO. 1 ILLINOIS FED. AID PROJECT				
CONTRACT NO. 60D10				



PROPOSED TYPICAL SECTION  
ILLINOIS 173  
AT LEWIS AVE.



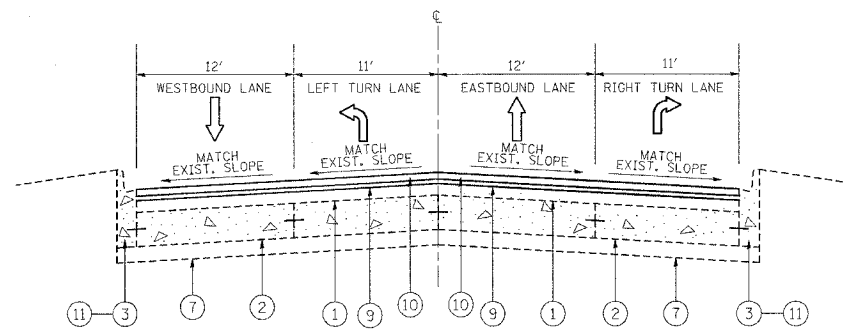
PROPOSED TYPICAL SECTION  
ILLINOIS 173  
AT ELISHA AVE.



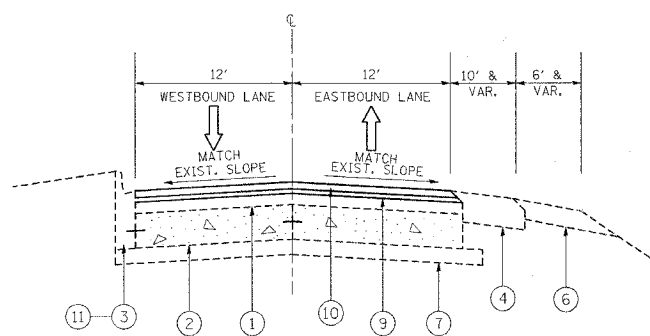
PROPOSED TYPICAL SECTION  
ILLINOIS 173  
JOANNA AVE. TO GARNETT AVE.

HMA SHOULDER TO BE RESURFACED:  
1. JETHRO AVE TO 18TH ST.  
2. GIGEON AVE. TO WEST OF GABRIEL AVE.

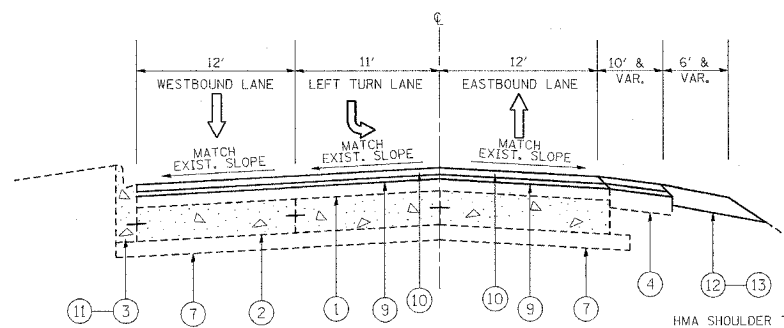
HMA SHOULDER TO BE RESURFACED:  
1. AT HERMON AVE.



PROPOSED TYPICAL SECTION  
ILLINOIS 173  
WEST OF IL 137

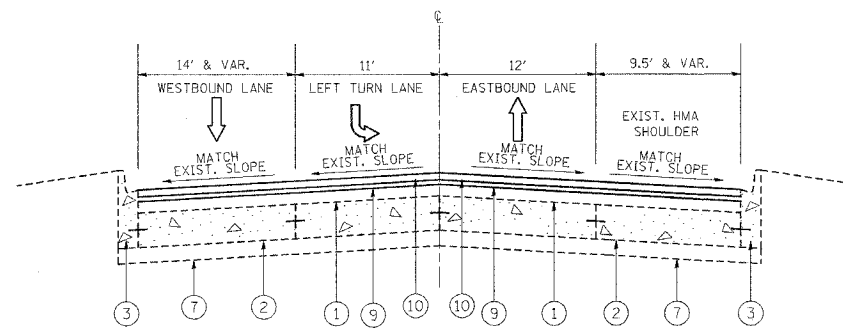


PROPOSED TYPICAL SECTION  
ILLINOIS 173  
GARNETT AVE TO EMMAUS AVE.



PROPOSED TYPICAL SECTION  
ILLINOIS 173  
EMMAUS AVE. TO ELISHA AVE.

HMA SHOULDER TO BE RESURFACED:  
1. EMMAUS AVE. TO ELISHA AVE.



PROPOSED TYPICAL SECTION  
ILLINOIS 173  
EAST OF IL 137

HMA SHOULDER TO BE RESURFACED:  
1. EAST OF IL. 137 TO THE LIMIT OF IMPROVEMENT

HMA SHOULDER TO BE RESURFACED:  
1. EAST OF IL. 137 TO THE LIMIT OF IMPROVEMENT

**LEGEND**

- ① EXISTING HMA SURFACING, ± 4"
- ② EXISTING PCC PAVEMENT, ± 9"
- ③ EXISTING COMBINATION CONCRETE CURB AND GUTTER TYPE B-6.24, TYPE B-6.18, & TYPE B-6.12
- ④ EXISTING HMA SHOULDER, 10', 8' & VARIES
- ⑤ EXISTING SPBGR, TYPE A
- ⑥ EXISTING AGGREGATE SHOULDER, TYPE B
- ⑦ EXISTING SUB-BASE GRANULAR MATERIAL, TYPE B
- ⑧ PROPOSED HMA SURFACE REMOVAL, 2-1/2"
- ⑨ PROPOSED LEVELING BINDER (MM), N70, 1"
- ⑩ PROPOSED HMA SURFACE COURSE, MIX "D", N70, 1-1/2"
- ⑪ PROPOSED COMB. CONC. CURB & GUTTER (R & R)
- ⑫ PROPOSED AGGREGATE WEDGE SHOULDER, TYPE B
- ⑬ PROPOSED GRADING AND SHAPING SHOULDERS

REVISIONS	
NAME	DATE

ILLINOIS DEPARTMENT OF TRANSPORTATION  
**ILL 173**  
**LEWIS AVE. TO IL 137 (SHERIDAN AVE.)**  
**PROPOSED TYPICAL SECTIONS**

SCALE: VERT. \_\_\_\_\_  
HORIZ. \_\_\_\_\_  
DATE \_\_\_\_\_ DRAWN BY \_\_\_\_\_  
CHECKED BY \_\_\_\_\_