

F.A.P. RTE.	SECTION	COUNTY	TOTAL SHEETS	SHEET NO.
303	136 RS-4	LAKE	25	1

CONTRACT NO. 60D10

STATE OF ILLINOIS
DEPARTMENT OF TRANSPORTATION
DIVISION OF HIGHWAYS

PROPOSED HIGHWAY PLANS

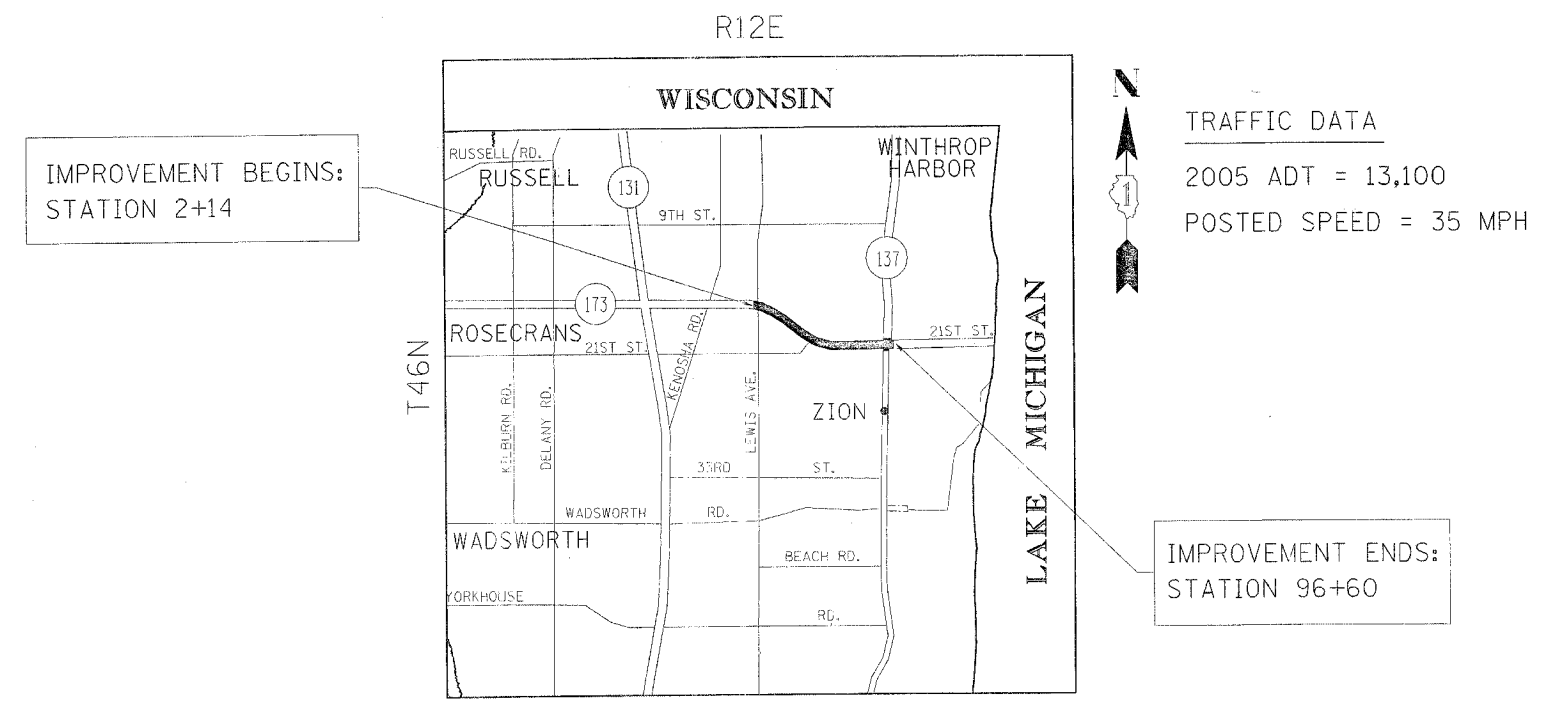
F.A.P. ROUTE 303 : ILL 173
LEWIS AVE. TO ILL 137
SECTION 136 RS-4
RESURFACING (MAINTENANCE)
LAKE COUNTY
C-91-306-07

FOR INDEX OF SHEETS, SEE SHEET NO. 2

IMPROVEMENT LOCATED
IN THE CITY OF ZION



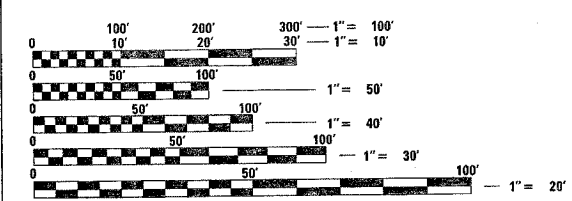
LOCATION OF SECTION INDICATED THUS:



TRAFFIC DATA
2005 ADT = 13,100
POSTED SPEED = 35 MPH

IMPROVEMENT BEGINS:
STATION 2+14

IMPROVEMENT ENDS:
STATION 96+60



FULL SIZE PLANS HAVE BEEN PREPARED USING STANDARD ENGINEERING SCALES. REDUCED SIZED PLANS WILL NOT CONFORM TO STANDARD SCALES. IN MAKING MEASUREMENTS ON REDUCED PLANS, THE ABOVE SCALES MAY BE USED.

J.U.L.I.E.
JOINT UTILITY LOCATION INFORMATION FOR EXCAVATION
1-800-892-0123

GROSS & NET LENGTH OF IMPROVEMENT = 9,446 FEET (1.79 MILES)

STATE OF ILLINOIS
DEPARTMENT OF TRANSPORTATION
DIVISION OF HIGHWAYS

SUBMITTED April 19, 2007

Diane O'Keefe /
DEPUTY DIRECTOR OF HIGHWAYS, REGION ENGINEER

May 11, 2007
Eric E. Haran /
ENGINEER OF DESIGN AND ENVIRONMENT

May 11, 2007
Milton R. See /
DIRECTOR OF HIGHWAYS, CHIEF ENGINEER

**PRINTED BY THE AUTHORITY
OF THE STATE OF ILLINOIS**

REGION ONE - PLAN PREPARATION ENGINEER - KEN ENG/J. CHANG (847) 705-4432

CONTRACT NO. 60D10

F.A.P. RTE.	SECTION	COUNTY	TOTAL SHEETS	SHEET NO.
303	136 RS-4	LAKE	25	2
STA.		TO STA.		
FED. ROAD DIST. NO. 1 ILLINOIS FED. AID PROJECT				
CONTRACT NO. 60D10				

INDEX OF SHEETS

STATE STANDARDS

GENERAL NOTES

<u>SHEET NO.</u>	<u>DESCRIPTION</u>
1	TITLE SHEET
2	INDEX OF SHEETS, STATE STANDARDS & GENERAL NOTES.
3	SUMMARY OF QUANTITIES
4	EXISTING TYPICAL SECTIONS
5	PROPOSED TYPICAL SECTIONS
6-9	ROADWAY AND PAVEMENT MARKING PLANS
10-11	DETECTOR LOOP REPLACEMENT PLANS
12	DETAILS FOR FRAMES AND LIDS ADJUSTMENT WITH MILLING
13	PAVEMENT PATCHING FOR HMA SURFACED PAVEMENT
14	CURB OR CURB AND GUTTER REMOVAL AND REPLACEMENT
15	BUTT JOINT AND HMA TAPER DETAILS
16	TRAFFIC CONTROL AND PROTECTION FOR SIDE ROADS, INTERSECTIONS AND DRIVEWAYS
17	TYPICAL APPLICATIONS: RAISED REFLECTIVE PAVEMENT MARKERS (SNOW-PLOW RESISTANT)
18	DISTRICT ONE TYPICAL PAVEMENT MARKINGS
19	TRAFFIC CONTROL AND PROTECTION OF TURN BAYS (TO REMAIN OPEN TO TRAFFIC)
20	PAVEMENT MARKING LETTERS AND SYMBOLS FOR TRAFFIC STAGING
21	ARTERIAL ROAD INFORMATION SIGN
22	DISTRICT ONE STANDARD TRAFFIC SIGNAL DESIGN
23	DISTRICT 1 DETECTOR LOOP INSTALLATION DETAILS FOR ROADWAY RESURFACING
24	DRIVEWAY DETAILS - DISTANCE BETWEEN ROW AND CURB OR EDGE GREATER THAN OR EQUAL TO 15'
25	DRIVEWAY DETAILS - DISTANCE BETWEEN ROW AND FACE OF CURB IS GREATER THAN 15'

<u>STANDARD NO.</u>	<u>DESCRIPTION</u>
000001-04	TYPICAL SYMBOLS, ABBREVIATIONS AND PATTERNS
442201-02	CLASS C AND D PATCHES
604001-02	FRAME AND LIDS, TYPE 1
606001-03	CONCRETE CURB AND COMBINATION CONCRETE CURB AND GUTTER
701301-02	LANE CLOSURE, 2L, 2W, SHORT TIME OPERATIONS
701311-02	LANE CLOSURE, 2L, 2W, MOVING OPERATIONS - DAY ONLY
701501-03	URBAN LANE CLOSURE, 2L, 2W, UNDIVIDED
701701-04	URBAN LANE CLOSURE, MULTILANE INTERSECTION
701801-03	LANE CLOSURE, MULTILANE 1W OR 2W CROSSWALK OR SIDEWALK CLOSURE
702001-04	TRAFFIC CONTROL DEVICES
886001	DETECTOR LOOP INSTALLATION
886006	TYPICAL LAYOUT FOR DETECTION LOOPS

BEFORE STARTING ANY EXCAVATION, THE CONTRACTOR SHALL CALL "JULIE" AT (800) 892-0123 FOR FIELD LOCATIONS OF BURIED ELECTRIC, TELEPHONE, AND GAS FACILITIES. (48 HOUR NOTIFICATION REQUIRED)

THE CONTRACTOR SHALL COORDINATE CONSTRUCTION ACTIVITIES WITH UTILITY COMPANIES AND THE CITY OF ZION.

THE CONTRACTOR WILL NOT BE ABLE TO SET UP A YARD OR FIELD OFFICE ON STATE PROPERTY WITHOUT THE WRITTEN PERMISSION OF THE DEPARTMENT.

BUTT JOINTS WILL BE INSTALLED AT THE ENDS OF RESURFACING (WHERE RESURFACING MEETS EXISTING PAVEMENT) IN ACCORDANCE WITH THE "BUTT JOINT AND HMA TAPER DETAILS" SHEET INCLUDED IN THE PLANS UNLESS OTHERWISE SPECIFIED.

THE RESIDENT ENGINEER SHALL VERIFY THE LOCATIONS OF ALL EXISTING PAVEMENT MARKINGS PRIOR TO MILLING OR RESURFACING.

THE RESIDENT ENGINEER SHALL CONTACT MS. DEBBIE HANLON, AREA TRAFFIC FIELD ENGINEER, AT (847) 438-2300 A MINIMUM OF 72 HOURS PRIOR TO PLACEMENT OF FINAL PAVEMENT MARKINGS.

PAVEMENT PATCHING SHALL BE COMPLETED PRIOR TO HMA SURFACE REMOVAL OPERATIONS.

3 METERS (10 FEET) TRANSITION SHALL BE USED TO MATCH PROPOSED CURB AND GUTTER TO EXISTING CURB AND GUTTERS IN THE FIELD, UNLESS OTHERWISE SHOWN. THE TRANSITION SHALL BE PAID FOR AT THE CONTRACT UNIT PRICE FOR THE PROPOSED ITEMS OF WORK SPECIFIED.

WHEN MILLED PAVEMENT IS OPEN TO TRAFFIC, THE MAXIMUM GRADE DIFFERENTIAL BETWEEN PASSES OF THE MILLING MACHINE SHALL NOT EXCEED 1 1/2 INCHES WHERE THE SPEED LIMIT IS 45 MPH OR LESS, AND 1 INCH WHERE THE SPEED LIMIT IS 45 MPH. WITH WRITTEN APPROVAL FROM THE RESIDENT ENGINEER, A MAXIMUM GRADE DIFFERENTIAL OF 3 INCHES MAY BE ALLOWED IF THE EDGE OF THE MILLING IS SLOPED A MINIMUM OF 1:3 (V:H)

THE CONTRACTOR SHALL CONTACT THE ARTERIAL TRAFFIC CONTROL SUPERVISOR AT (847) 705-4470 A MINIMUM OF 72 HOURS IN ADVANCE OF BEGINNING WORK.

PLOT DATE = 4/25/2007
FILE NAME = c:\303687\sh-edp.dgn
PLOT SCALE = 50,0000 / IN.
REFERENCE = #REF#

REVISIONS		ILLINOIS DEPARTMENT OF TRANSPORTATION
NAME	DATE	
		INDEX OF SHEETS, STATE STANDARDS, AND GENERAL NOTES
SCALE: VERT.	DRAWN BY	CHECKED BY
DATE		

F.A.P. RTE.	SECTION	COUNTY	TOTAL SHEETS	SHEET NO.
303	136 RS-4	LAKE	25	3
FED. ROAD DIST. NO. 1		ILLINOIS	HIGHWAY PROJECT	

SUMMARY OF QUANTITIES			URBAN 100% STATE	CONSTRUCTION TYPE CODE				
CODE NO	ITEM	UNIT	TOTAL QUANTITIES	I000-2A				
20201006	GRADING AND SHAPING SHOULDERS	UNIT	40	40				
40600200	BITUMINOUS MATERIALS (PRIME COAT)	TON	15	15				
40600300	AGGREGATE (PRIME COAT)	TON	70	70				
40600400	MIXTURE FOR CRACKS, JOINTS, AND FLANGEWAYS	TON	22	22				
40600635	LEVELING BINDER (MACHINE METHOD), N70	TON	2000	2000				
40600895	CONSTRUCTING TEST STRIP	EACH	1	1				
40600982	HOT-MIX ASPHALT SURFACE REMOVAL - BUTT JOINT	SQ YD	1380	1380				
40601005	HOT-MIX ASPHALT REPLACEMENT OVER PATCHES	TON	720	720				
40603340	HOT-MIX ASPHALT SURFACE COURSE, MIX "D", N70	TON	3000	3000				
42001300	PROTECTIVE COAT	SQ YD	350	350				
44000159	HOT-MIX ASPHALT SURFACE REMOVAL, 2 1/2"	SQ YD	34600	34600				
44001700	COMBINATION CONCRETE CURB AND GUTTER REMOVAL AND REPLACEMENT	FOOT	1500	1500				
44002216	HOT-MIX ASPHALT REMOVAL OVER PATCHES, 4"	SQ YD	3200	3200				
44201749	CLASS D PATCHES, TYPE I, 9 INCH	SQ YD	50	50				
44201753	CLASS D PATCHES, TYPE II, 9 INCH	SQ YD	1370	1370				
44201757	CLASS D PATCHES, TYPE III, 9 INCH	SQ YD	595	595				
44201759	CLASS D PATCHES, TYPE IV, 9 INCH	SQ YD	225	225				
48102100	AGGREGATE WEDGE SHOULDER, TYPE B	TON	160	160				
60250200	CATCH BASINS TO BE ADJUSTED	EACH	2	2				
60257900	MANHOLES TO BE RECONSTRUCTED	EACH	2	2				
60300310	FRAMES AND LIDS TO BE ADJUSTED (SPECIAL)	EACH	31	31				
60406100	FRAMES AND LIDS, TYPE 1, CLOSED LID	EACH	2	2				
67000400	ENGINEER'S FIELD OFFICE, TYPE A	CAL MO	5	5				
67100100	MOBILIZATION	L SUM	1	1				
70300100	SHORT-TERM PAVEMENT MARKING	FOOT	5500	5500				
70300210	TEMPORARY PAVEMENT MARKING - LETTERS AND SYMBOLS	SQ FT	400	400				

SUMMARY OF QUANTITIES			URBAN 100% STATE	CONSTRUCTION TYPE CODE				
CODE NO	ITEM	UNIT	TOTAL QUANTITIES	I000-2A				
70300220	TEMPORARY PAVEMENT MARKING - LINE 4"	FOOT	26700	26700				
70300240	TEMPORARY PAVEMENT MARKING - LINE 6"	FOOT	2000	2000				
70300260	TEMPORARY PAVEMENT MARKING - LINE 12"	FOOT	600	600				
70300280	TEMPORARY PAVEMENT MARKING - LINE 24"	FOOT	350	350				
70301000	WORK ZONE PAVEMENT MARKING REMOVAL	SQ FT	13000	13000				
*78000100	THERMOPLASTIC PAVEMENT MARKING - LETTERS AND SYMBOLS	SQ FT	400	400				
*78000200	THERMOPLASTIC PAVEMENT MARKING - LINE 4"	FOOT	26700	26700				
*78000400	THERMOPLASTIC PAVEMENT MARKING - LINE 6"	FOOT	2000	2000				
*78000600	THERMOPLASTIC PAVEMENT MARKING - LINE 12"	FOOT	600	600				
*78000650	THERMOPLASTIC PAVEMENT MARKING - LINE 24"	FOOT	350	350				
*78100100	RAISED REFLECTIVE PAVEMENT MARKER	EACH	370	370				
78300200	RAISED REFLECTIVE PAVEMENT MARKER REMOVAL	EACH	240	240				
*88600600	DETECTOR LOOP REPLACEMENT	FOOT	1900	1900				
X0322256	TEMPORARY INFORMATION SIGNING	SQ FT	257	257				
X0656100	DRIVEWAY PAVEMENT REMOVAL AND REPLACEMENT	SQ YD	350	350				
Z0018500	DRAINAGE STRUCTURES TO BE CLEANED	EACH	23	23				
70102620	TRAFFIC CONTROL AND PROTECTION, STANDARD 701501	L SUM	1	1				
70102635	TRAFFIC CONTROL AND PROTECTION, STANDARD 701701	L SUM	1	1				
70102640	TRAFFIC CONTROL AND PROTECTION, STANDARD 701801	L SUM	1	1				

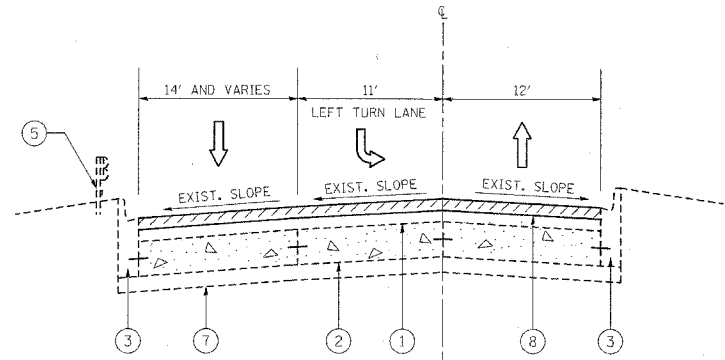
* SPECIALITY ITEMS

REVISIONS	
NAME	DATE

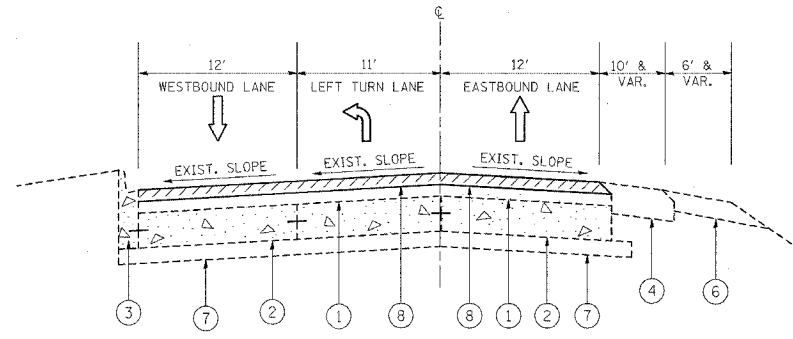
ILLINOIS DEPARTMENT OF TRANSPORTATION
SUMMARY OF QUANTITIES

4/25/2007 09:40:00 AM C:\PLOT\136RS4\136RS4.DWG

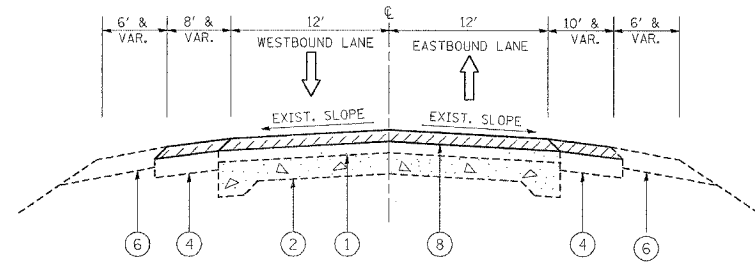
F.A.P. RTE.	SECTION	COUNTY	TOTAL SHEETS	SHEET NO.
303	136 RS-4	LAKE	25	4
STA.		TO STA.		
FED. ROAD DIST. NO. 1		ILLINOIS FED. AID PROJECT		
CONTRACT NO. 60D10				



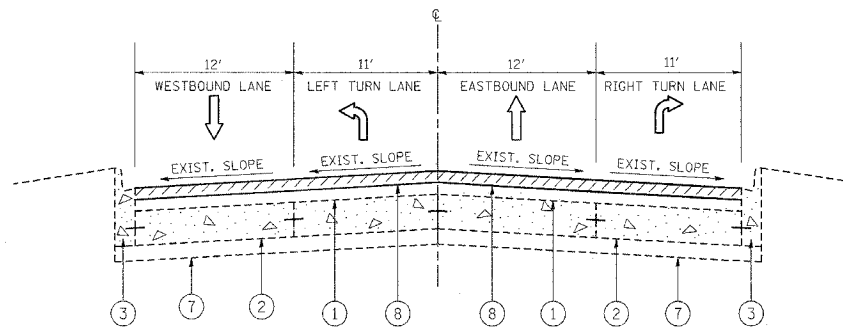
EXISTING TYPICAL SECTION
ILLINOIS 173
AT LEWIS AVE.



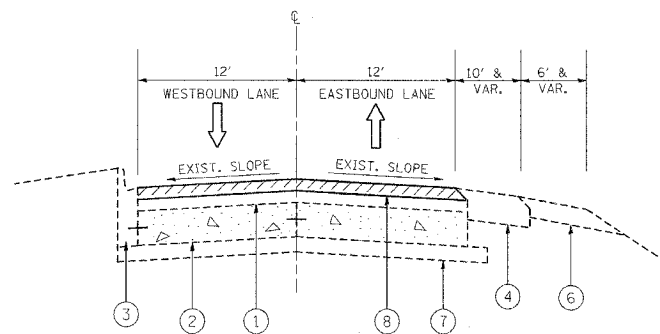
EXISTING TYPICAL SECTION
ILLINOIS 173
AT ELISHA AVE.



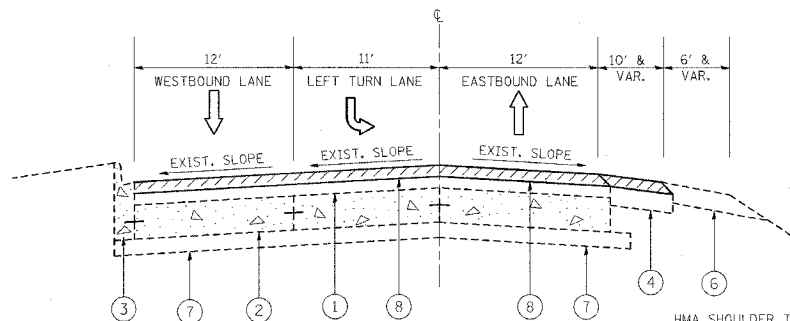
EXISTING TYPICAL SECTION
ILLINOIS 173
JOANNA AVE. TO GARNETT AVE.



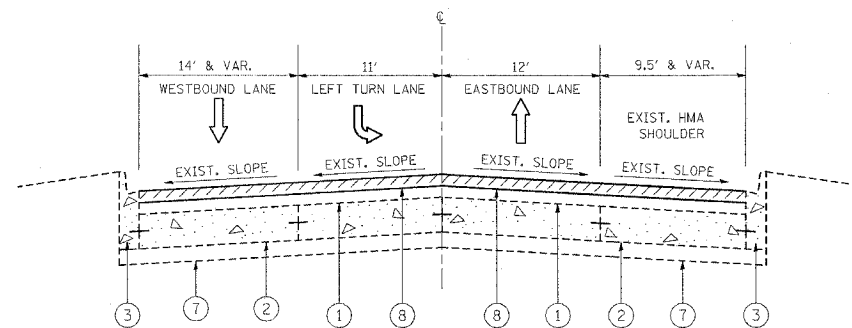
EXISTING TYPICAL SECTION
ILLINOIS 173
WEST OF IL 137



EXISTING TYPICAL SECTION
ILLINOIS 173
GARNETT AVE TO EMMAUS AVE.



EXISTING TYPICAL SECTION
ILLINOIS 173
EMMAUS AVE. TO ELISHA AVE.



EXISTING TYPICAL SECTION
ILLINOIS 173
EAST OF IL 137

LEGEND

- ① EXISTING HMA SURFACING, ± 4"
- ② EXISTING PCC PAVEMENT, ± 9"
- ③ EXISTING COMBINATION CONCRETE CURB AND GUTTER TYPE B-6.24, TYPE B-6.18, & TYPE B-6.12
- ④ EXISTING HMA SHOULDER, 10', 8' & VARIES
- ⑤ EXISTING SPBGR, TYPE A
- ⑥ EXISTING AGGREGATE SHOULDER, TYPE B
- ⑦ EXISTING SUB-BASE GRANULAR MATERIAL, TYPE B
- ⑧ PROPOSED HMA SURFACE REMOVAL, 2-1/2"
- ⑨ PROPOSED LEVELING BINDER (MM), N70, 1"
- ⑩ PROPOSED HMA SURFACE COURSE, MIX "D", N70, 1-1/2"
- ⑪ PROPOSED COMB. CONC. CURB & GUTTER (R & R)
- ⑫ PROPOSED AGGREGATE WEDGE SHOULDER, TYPE B
- ⑬ PROPOSED GRADING AND SHAPING SHOULDERS

HOT-MIX ASPHALT MIXTURE REQUIREMENTS
THE FOLLOWING MIXTURE REQUIREMENTS ARE APPLICABLE FOR THIS PROJECT.

MIXTURE TYPE	AC/PG	AIR VOIDS (%)
LEVELING BINDER (MM), N70 *	PG 64-22/ 58-22	4% @ 70 GYR
HOT-MIX ASPHALT SURFACE COURSE, MIX "D", N70	PG 64-22	4% @ 70 GYR
CLASS D PATCHES BINDER IL-19.0 MM	PG 64-22/ 58-22	4% @ 70 GYR
HOT-MIX ASPHALT REPLACEMENT OVER PATCHES, BINDER IL-19.0 MM *	PG 64-22/ 58-22	4% @ 70 GYR

NOTE:

THE UNIT WEIGHT USED TO CALCULATE ALL BITUMINOUS SURFACE MIXTURE QUANTITIES IS 112 POUNDS PER SQUARE YARD PER INCH.

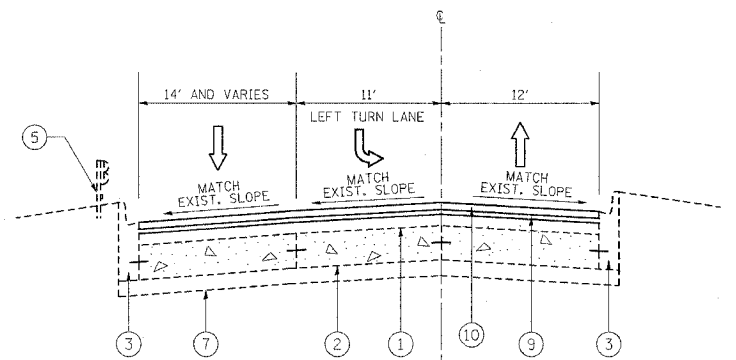
* WHEN RAP EXCEEDS 20%, THE NEW ASPHALT BINDER IN THE MIX SHALL BE 58-22.

PLOT DATE = 4/25/2007
FILE NAME = c:\p\proj\136\136007.dwg
PLOT SCALE = 50.0000' / 1" IN.
USER NAME = gureshup

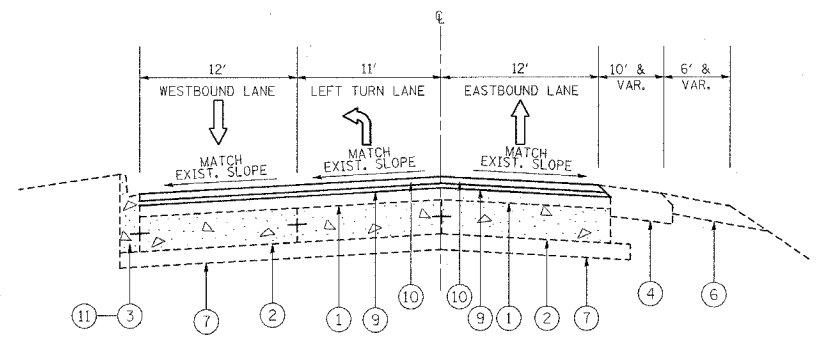
REVISIONS	
NAME	DATE

ILLINOIS DEPARTMENT OF TRANSPORTATION
ILL 173
LEWIS AVE. TO IL 137 (SHERIDAN AVE.)
EXISTING
TYPICAL SECTIONS
SCALE: VERT. DRAWN BY
 HORIZ. CHECKED BY
DATE

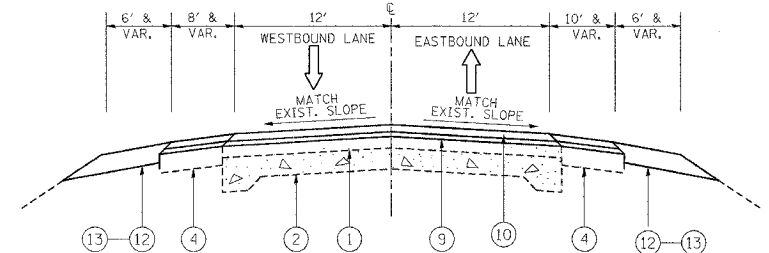
F.A.P. RTE.	SECTION	COUNTY	TOTAL SHEETS	SHEET NO.
303	136 RS-4	LAKE	25	5
STA.		TO STA.		
FED. ROAD DIST. NO. 1 ILLINOIS FED. AID PROJECT				
CONTRACT NO. 60D10				



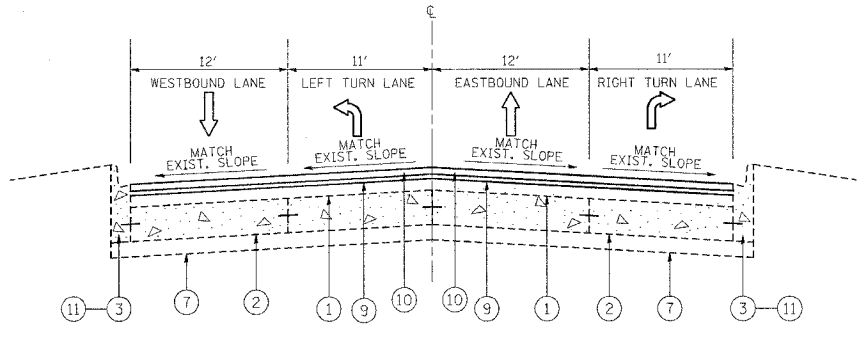
PROPOSED TYPICAL SECTION
ILLINOIS 173
AT LEWIS AVE.



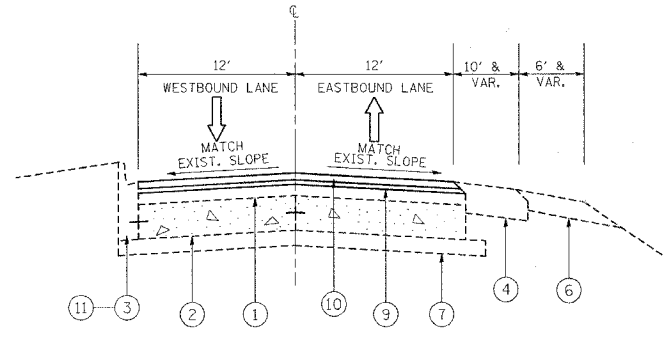
PROPOSED TYPICAL SECTION
ILLINOIS 173
AT ELISHA AVE.



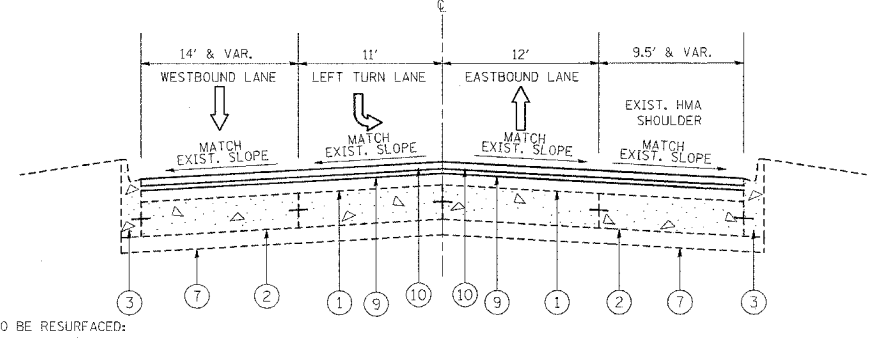
PROPOSED TYPICAL SECTION
ILLINOIS 173
JOANNA AVE. TO GARNETT AVE.



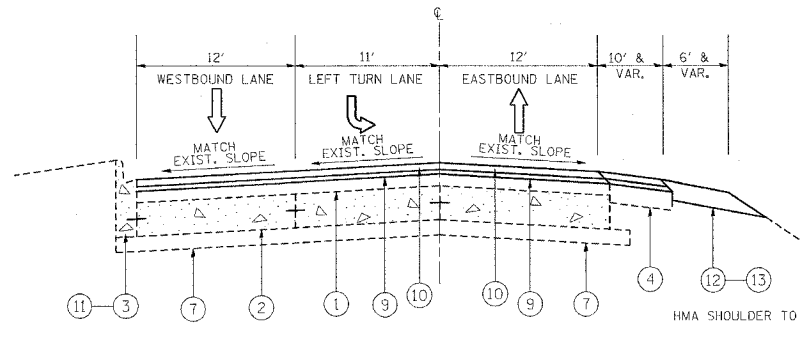
PROPOSED TYPICAL SECTION
ILLINOIS 173
WEST OF IL 137



PROPOSED TYPICAL SECTION
ILLINOIS 173
GARNETT AVE TO EMMAUS AVE.



PROPOSED TYPICAL SECTION
ILLINOIS 173
EAST OF IL 137



PROPOSED TYPICAL SECTION
ILLINOIS 173
EMMAUS AVE. TO ELISHA AVE.

HMA SHOULDER TO BE RESURFACED:
1. JETHRO AVE TO 18TH ST.
2. GIGEON AVE. TO WEST OF GABRIEL AVE.

HMA SHOULDER TO BE RESURFACED:
1. AT HERMON AVE.

HMA SHOULDER TO BE RESURFACED:
1. EAST OF IL. 137 TO THE LIMIT OF IMPROVEMENT

HMA SHOULDER TO BE RESURFACED:
1. EAST OF IL. 137 TO THE LIMIT OF IMPROVEMENT

HMA SHOULDER TO BE RESURFACED:
1. EMMAUS AVE. TO ELISHA AVE.

LEGEND

- ① EXISTING HMA SURFACING, ± 4"
- ② EXISTING PCC PAVEMENT, ± 9"
- ③ EXISTING COMBINATION CONCRETE CURB AND GUTTER TYPE B-6.24, TYPE B-6.18, & TYPE B-6.12
- ④ EXISTING HMA SHOULDER, 10', 8' & VARIES
- ⑤ EXISTING SPBGR, TYPE A
- ⑥ EXISTING AGGREGATE SHOULDER, TYPE B
- ⑦ EXISTING SUB-BASE GRANULAR MATERIAL, TYPE B
- ⑧ PROPOSED HMA SURFACE REMOVAL, 2-1/2"
- ⑨ PROPOSED LEVELING BINDER (MM), N70, 1"
- ⑩ PROPOSED HMA SURFACE COURSE, MIX "D", N70, 1-1/2"
- ⑪ PROPOSED COMB. CONC. CURB & GUTTER (R & R)
- ⑫ PROPOSED AGGREGATE WEDGE SHOULDER, TYPE B
- ⑬ PROPOSED GRADING AND SHAPING SHOULDERS

REVISIONS	
NAME	DATE

ILLINOIS DEPARTMENT OF TRANSPORTATION
ILL 173
LEWIS AVE. TO IL 137 (SHERIDAN AVE.)
PROPOSED TYPICAL SECTIONS

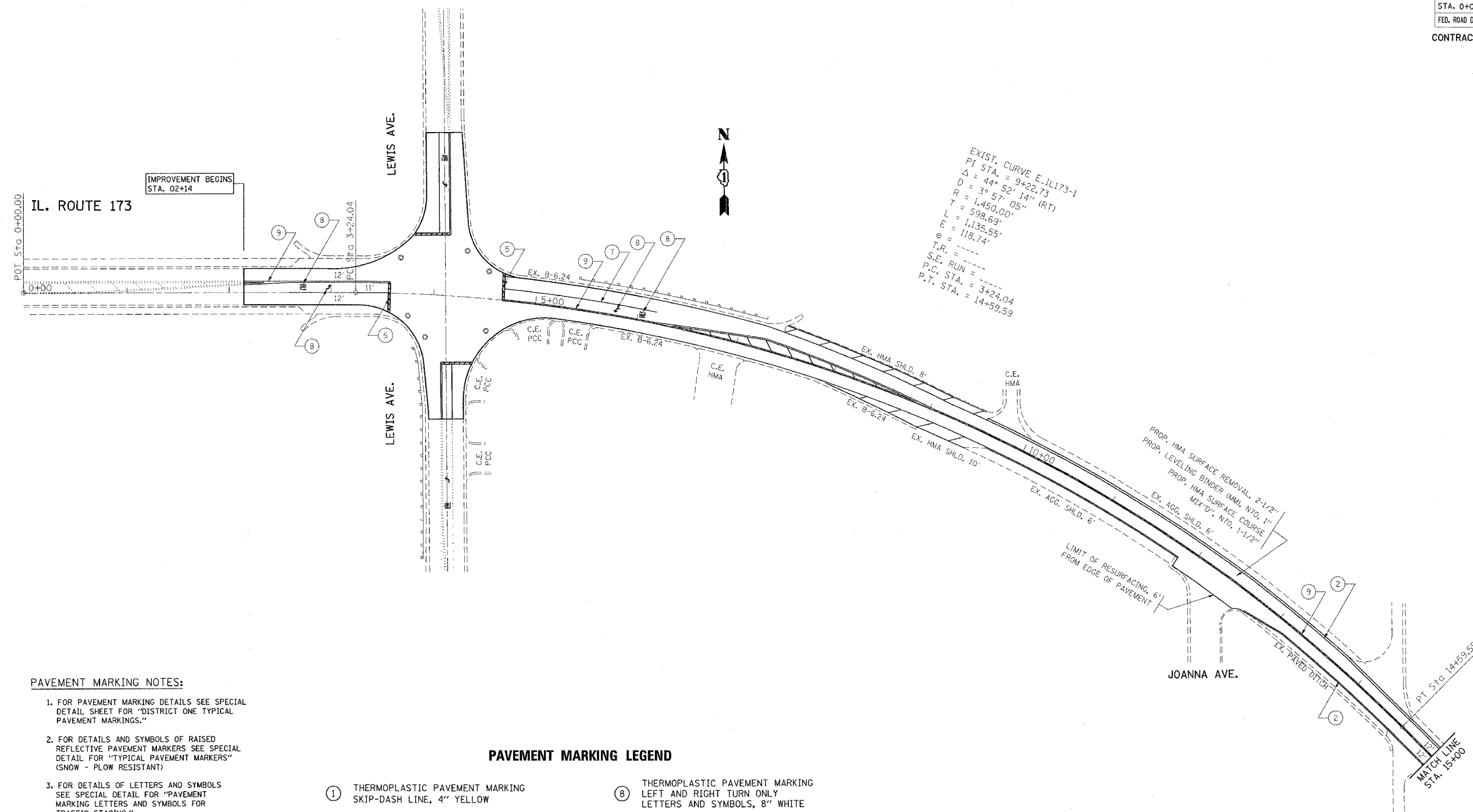
SCALE: VERT. _____
HORIZ. _____
DATE _____

DRAWN BY _____
CHECKED BY _____

PLOT DATE = 4/25/2007
PLOT SCALE = 5/8"=1'-0"
USER NAME = qurashig

F.A.P. RTE.	SECTION	COUNTY	TOTAL SHEETS	SHEET NO.
303	136 RS-4	LAKE	25	6
STA. 0+00		TO STA. 15+00		
FED. ROAD DIST. NO. 1 ILLINOIS FED. AID PROJECT				

CONTRACT NO. 60D10



PAVEMENT MARKING NOTES:

1. FOR PAVEMENT MARKING DETAILS SEE SPECIAL DETAIL SHEET FOR "DISTRICT ONE TYPICAL PAVEMENT MARKINGS."
2. FOR DETAILS AND SYMBOLS OF RAISED REFLECTIVE PAVEMENT MARKERS SEE SPECIAL DETAIL FOR "TYPICAL PAVEMENT MARKERS" (SNOW - PLOW RESISTANT)
3. FOR DETAILS OF LETTERS AND SYMBOLS SEE SPECIAL DETAIL FOR "PAVEMENT MARKING LETTERS AND SYMBOLS FOR TRAFFIC STAGING."

PAVEMENT MARKING LEGEND

- | | |
|--|---|
| ① THERMOPLASTIC PAVEMENT MARKING SKIP-DASH LINE, 4" YELLOW | ⑧ THERMOPLASTIC PAVEMENT MARKING LEFT AND RIGHT TURN ONLY LETTERS AND SYMBOLS, 8" WHITE |
| ② THERMOPLASTIC PAVEMENT MARKING EDGE LINE, 4" SOLID WHITE | ⑨ THERMOPLASTIC PAVEMENT MARKING MEDIAN EDGE LINE, 4" SOLID YELLOW (DOUBLE) |
| ③ THERMOPLASTIC PAVEMENT MARKING DOTTED LANE LINE, 6" WHITE | ⑩ THERMOPLASTIC PAVEMENT MARKING SCHOOL CROSSING, 12" @ 90° SOLID WHITE AND 2' APART |
| ④ THERMOPLASTIC PAVEMENT MARKING CROSS-WALK LINE, 6" SOLID WHITE, 2@6' C-C AND 4' IN ADVANCE OF STOP BAR | ⑪ THERMOPLASTIC PAVEMENT MARKING NO PASSING ZONE LINES, 5-1/2" C-C FROM SKIP-DASH CENTERLINE 11" C-C YELLOW |
| ⑤ THERMOPLASTIC PAVEMENT MARKING 24" SOLID WHITE STOP BAR | ⑫ THERMOPLASTIC PAVEMENT MARKING MEDIAN DIAGONAL, 12" @ 45° (MINIMUM OF 5 EQUALLY SPACED DIAGONAL LINES) |
| ⑥ THERMOPLASTIC PAVEMENT MARKING SHOULDER DIAGONAL, 12" @ 45° SPACING 20' C-C SOLID YELLOW | |
| ⑦ THERMOPLASTIC PAVEMENT MARKING LANE LINE, 6" SOLID WHITE | |

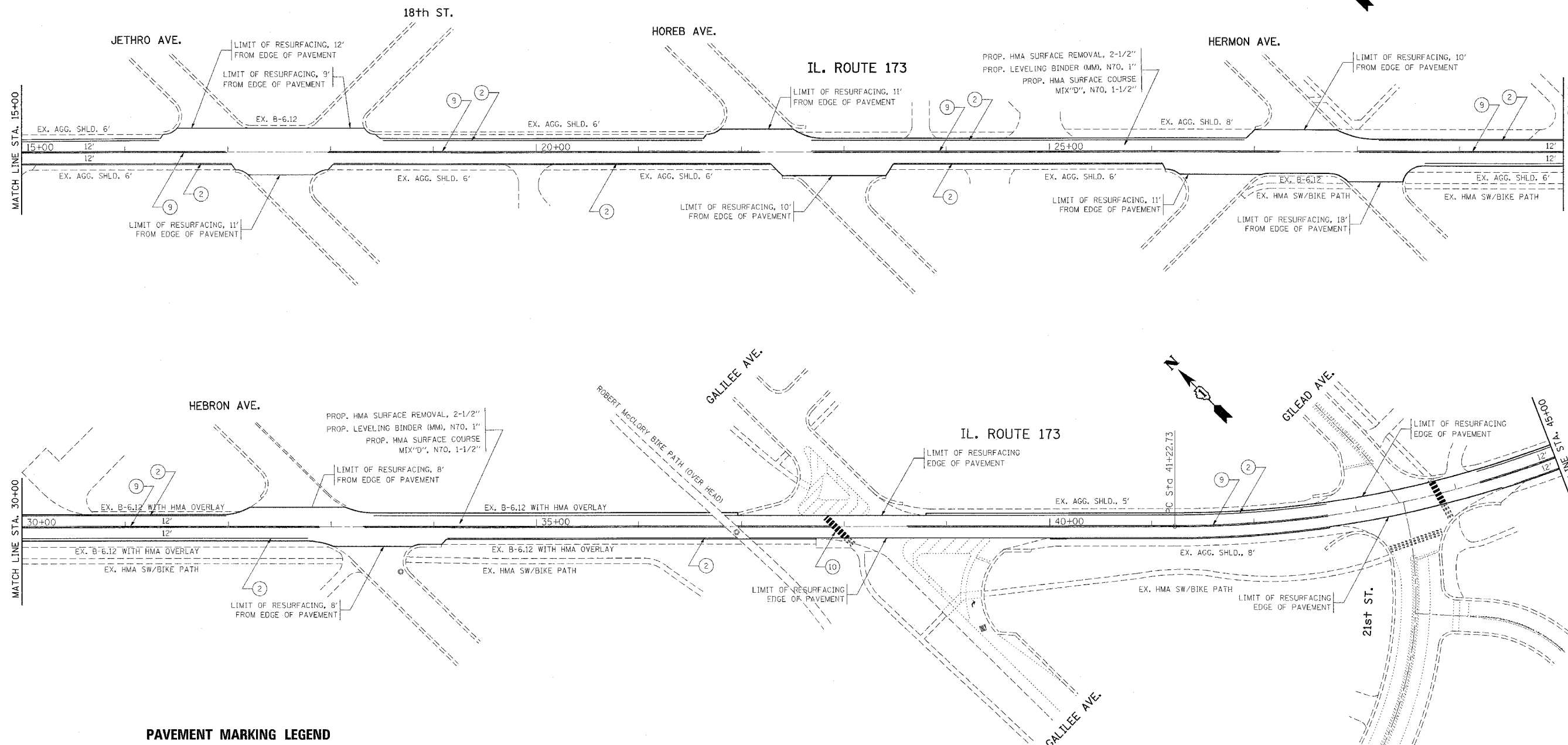
REVISIONS	
NAME	DATE

ILLINOIS DEPARTMENT OF TRANSPORTATION
ILL 173
LEWIS AVE. TO IL. 137 (SHERIDAN AVE.)
EXISTING AND PROPOSED
ROADWAY AND PAVEMENT MARKING PLANS
 SCALE: VERT. 1"=50'
 DATE 4/25/2007
 DRAWN BY
 CHECKED BY

PLOT DATE = 4/25/2007
 FILE NAME = c:\projects\1173\1173.dwg
 PLOT SCALE = 50.0000 / IN.
 USER NAME = qurshya

F.A.P. RTE.	SECTION	COUNTY	TOTAL SHEETS	SHEET NO.
303	136 RS-4	LAKE	23	7
STA. 15+00		TO STA. 45+00		
FED. ROAD DIST. NO. 1 ILLINOIS FED. AID PROJECT				

CONTRACT NO. 60D10



PAVEMENT MARKING LEGEND

- ① THERMOPLASTIC PAVEMENT MARKING SKIP-DASH LINE, 4" YELLOW
- ② THERMOPLASTIC PAVEMENT MARKING EDGE LINE, 4" SOLID WHITE
- ③ THERMOPLASTIC PAVEMENT MARKING DOTTED LANE LINE, 6" WHITE
- ④ THERMOPLASTIC PAVEMENT MARKING CROSS-WALK LINE, 6" SOLID WHITE, 2@6' C-C AND 4' IN ADVANCE OF STOP BAR
- ⑤ THERMOPLASTIC PAVEMENT MARKING 24" SOLID WHITE STOP BAR
- ⑥ THERMOPLASTIC PAVEMENT MARKING SHOULDER DIAGONAL, 12" @ 45° SPACING 20' C-C SOLID YELLOW
- ⑦ THERMOPLASTIC PAVEMENT MARKING LANE LINE, 6" SOLID WHITE
- ⑧ THERMOPLASTIC PAVEMENT MARKING LEFT AND RIGHT TURN ONLY LETTERS AND SYMBOLS, 8" WHITE
- ⑨ THERMOPLASTIC PAVEMENT MARKING MEDIAN EDGE LINE, 4" SOLID YELLOW (DOUBLE)
- ⑩ THERMOPLASTIC PAVEMENT MARKING SCHOOL CROSSING, 12" @ 90° SOLID WHITE AND 2' APART
- ⑪ THERMOPLASTIC PAVEMENT MARKING NO PASSING ZONE LINES, 5-1/2" C-C FROM SKIP-DASH CENTERLINE 11" C-C YELLOW
- ⑫ THERMOPLASTIC PAVEMENT MARKING MEDIAN DIAGONAL, 12" @ 45° (MINIMUM OF 5 EQUALLY SPACED DIAGONAL LINES)

PAVEMENT MARKING NOTES:

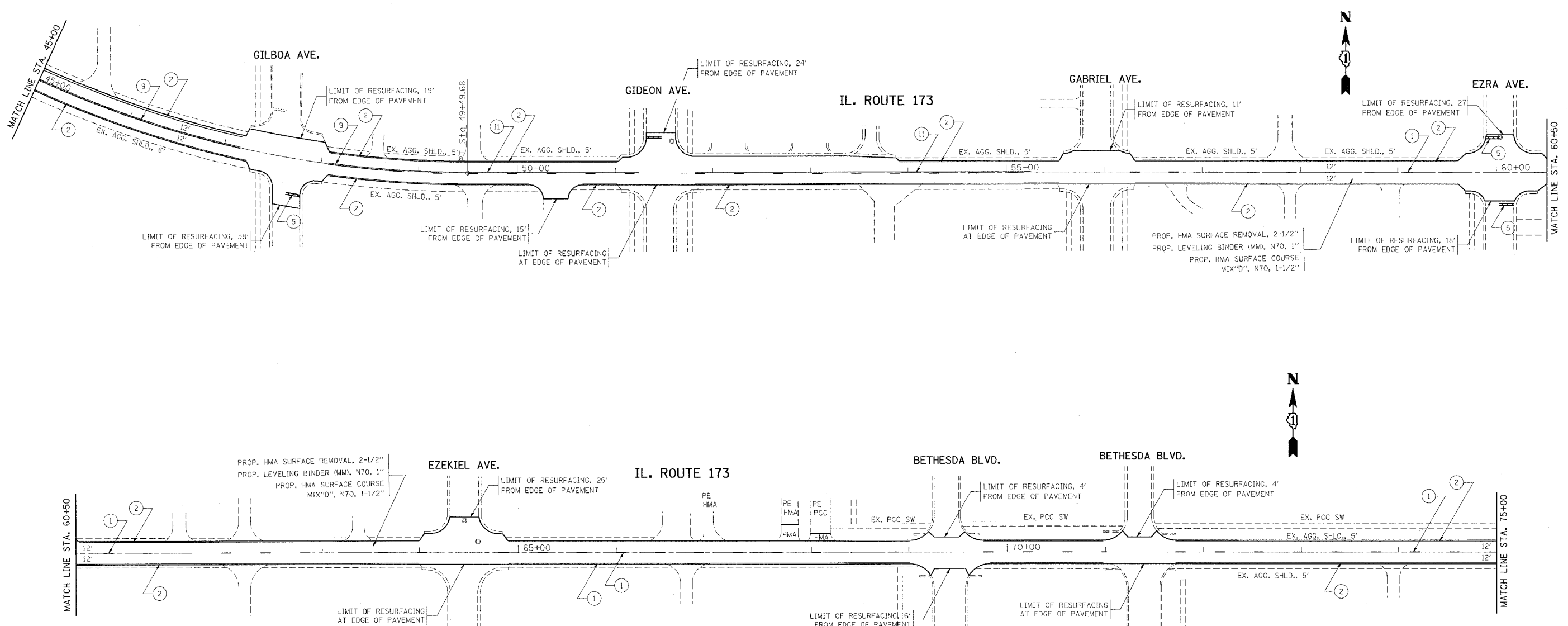
- FOR PAVEMENT MARKING DETAILS SEE SPECIAL DETAIL SHEET FOR "DISTRICT ONE TYPICAL PAVEMENT MARKINGS."
- FOR DETAILS AND SYMBOLS OF RAISED REFLECTIVE PAVEMENT MARKERS SEE SPECIAL DETAIL FOR "TYPICAL PAVEMENT MARKERS" (SNOW - PLOW RESISTANT)
- FOR DETAILS OF LETTERS AND SYMBOLS SEE SPECIAL DETAIL FOR "PAVEMENT MARKING LETTERS AND SYMBOLS FOR TRAFFIC STAGING."

PLOT DATE = 4/25/2007
 FILE NAME = c:\pwork\projects\ill136\173\rdwy.dwg
 PLOT SCALE = 1/8"=100' / IN.
 USER NAME = qurshahya

REVISIONS		DRAWN BY	CHECKED BY
NAME	DATE		

ILLINOIS DEPARTMENT OF TRANSPORTATION
ILL 173
LEWIS AVE. TO IL. 137 (SHERIDAN AVE.)
EXISTING AND PROPOSED
ROADWAY AND PAVEMENT MARKING PLANS
 SCALE: VERT. 1"=50'
 HORIZ. 1"=50'
 DATE 4/25/2007

F.A.P. RTE.	SECTION	COUNTY	TOTAL SHEETS	SHEET NO.
303	136 RS-4	LAKE	25	8
STA. 45+00		TO STA. 75+00		
FED. ROAD DIST. NO. 1 ILLINOIS FED. AID PROJECT				
CONTRACT NO. 60D10				



PAVEMENT MARKING LEGEND

- | | |
|--|---|
| ① THERMOPLASTIC PAVEMENT MARKING SKIP-DASH LINE, 4" YELLOW | ⑧ THERMOPLASTIC PAVEMENT MARKING LEFT AND RIGHT TURN ONLY LETTERS AND SYMBOLS, 8" WHITE |
| ② THERMOPLASTIC PAVEMENT MARKING EDGE LINE, 4" SOLID WHITE | ⑨ THERMOPLASTIC PAVEMENT MARKING MEDIAN EDGE LINE, 4" SOLID YELLOW (DOUBLE) |
| ③ THERMOPLASTIC PAVEMENT MARKING DOTTED LANE LINE, 6" WHITE | ⑩ THERMOPLASTIC PAVEMENT MARKING SCHOOL CROSSING, 12" @ 90° SOLID WHITE AND 2' APART |
| ④ THERMOPLASTIC PAVEMENT MARKING CROSS-WALK LINE, 6" SOLID WHITE, 2@6' C-C AND 4' IN ADVANCE OF STOP BAR | ⑪ THERMOPLASTIC PAVEMENT MARKING NO PASSING ZONE LINES, 5-1/2" C-C FROM SKIP-DASH CENTERLINE 11" C-C YELLOW |
| ⑤ THERMOPLASTIC PAVEMENT MARKING 24" SOLID WHITE STOP BAR | ⑫ THERMOPLASTIC PAVEMENT MARKING MEDIAN DIAGONAL, 12" @ 45° (MINIMUM OF 5 EQUALLY SPACED DIAGONAL LINES) |
| ⑥ THERMOPLASTIC PAVEMENT MARKING SHOULDER DIAGONAL, 12" @ 45° SPACING 20' C-C SOLID YELLOW | |
| ⑦ THERMOPLASTIC PAVEMENT MARKING LANE LINE, 6" SOLID WHITE | |

PAVEMENT MARKING NOTES:

- FOR PAVEMENT MARKING DETAILS SEE SPECIAL DETAIL SHEET FOR "DISTRICT ONE TYPICAL PAVEMENT MARKINGS."
- FOR DETAILS AND SYMBOLS OF RAISED REFLECTIVE PAVEMENT MARKERS SEE SPECIAL DETAIL FOR "TYPICAL PAVEMENT MARKERS" (SNOW - PLOW RESISTANT)
- FOR DETAILS OF LETTERS AND SYMBOLS SEE SPECIAL DETAIL FOR "PAVEMENT MARKING LETTERS AND SYMBOLS FOR TRAFFIC STAGING."

REVISIONS	
NAME	DATE

ILLINOIS DEPARTMENT OF TRANSPORTATION
ILL 173
LEWIS AVE. TO IL. 137 (SHERIDAN AVE.)
EXISTING AND PROPOSED
ROADWAY AND PAVEMENT MARKING PLANS

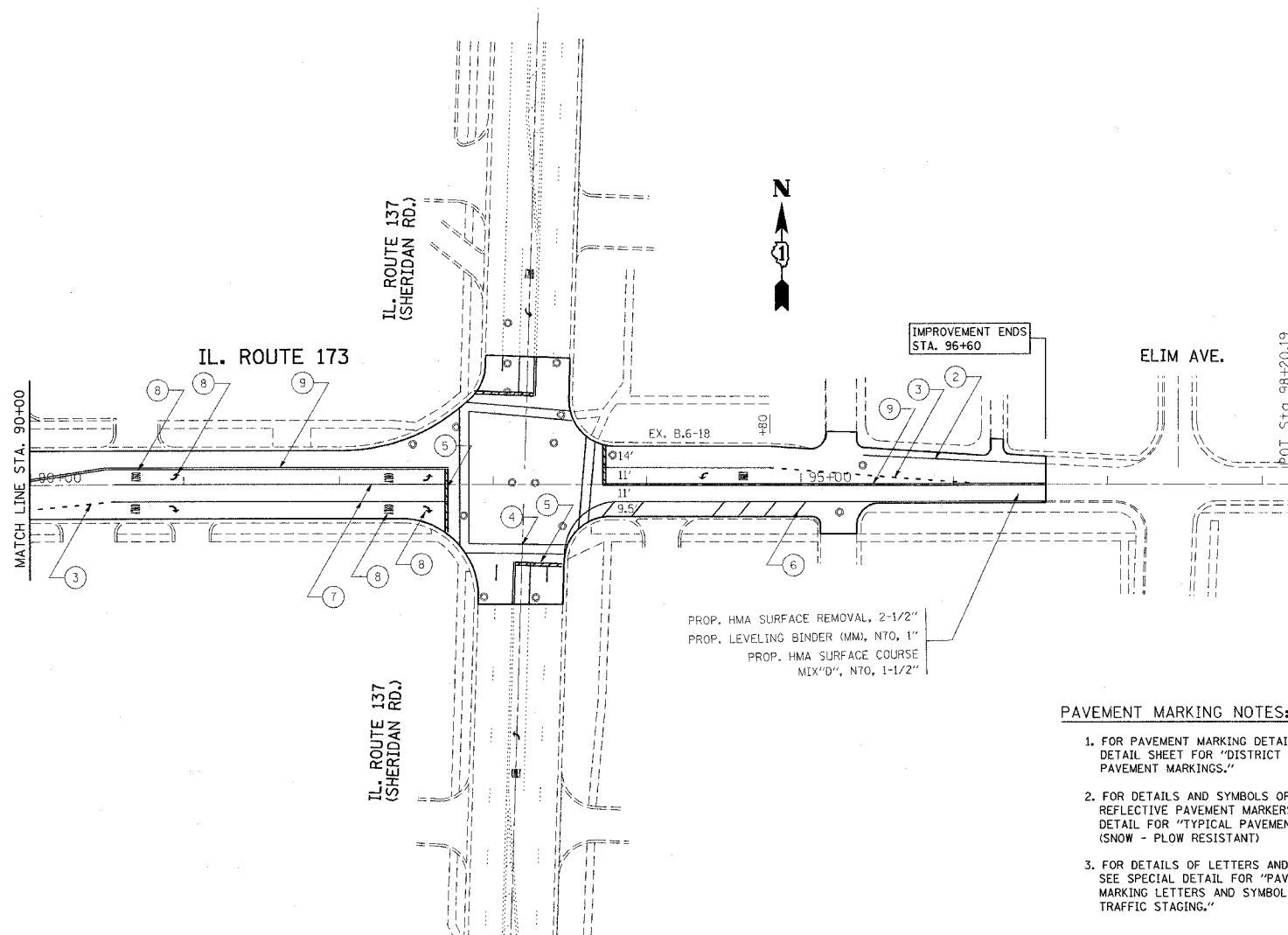
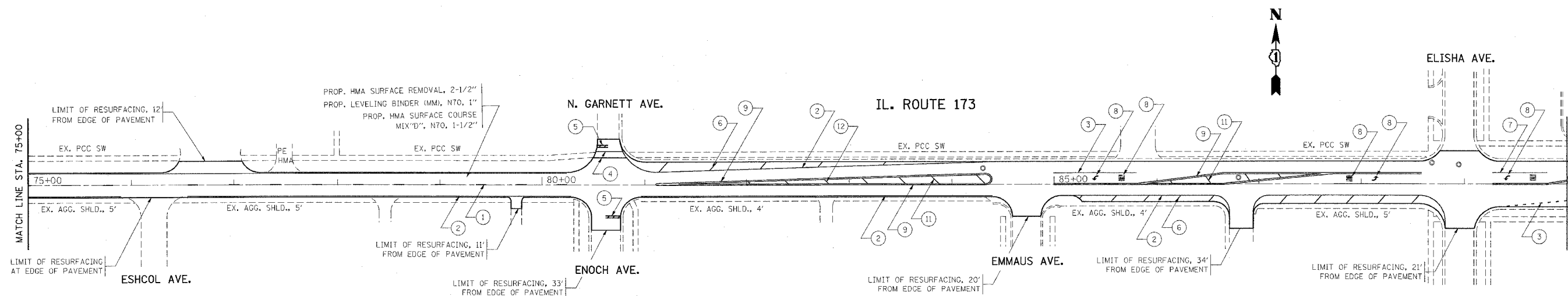
VERT. SCALE: 1"=50'
HORIZ. SCALE: 1"=50'
DATE 4/25/2007

DRAWN BY
CHECKED BY

PLOT DATE = 4/25/2007
FILE NAME = c:\pwork\136\136RS-4\136RS-4.dwg
USER NAME = qreahugh

F.A.P. RTE.	SECTION	COUNTY	TOTAL SHEETS	SHEET NO.
303	136 RS-4	LAKE	25	9
STA. 75+00		TO STA. 98+20		
FED. ROAD DIST. NO. 1 ILLINOIS FED. AID PROJECT				

CONTRACT NO. 60D10



PAVEMENT MARKING LEGEND

- | | |
|--|---|
| <ul style="list-style-type: none"> ① THERMOPLASTIC PAVEMENT MARKING SKIP-DASH LINE, 4" YELLOW ② THERMOPLASTIC PAVEMENT MARKING EDGE LINE, 4" SOLID WHITE ③ THERMOPLASTIC PAVEMENT MARKING DOTTED LANE LINE, 6" WHITE ④ THERMOPLASTIC PAVEMENT MARKING CROSS-WALK LINE, 6" SOLID WHITE, 2@6' C-C AND 4' IN ADVANCE OF STOP BAR ⑤ THERMOPLASTIC PAVEMENT MARKING 24" SOLID WHITE STOP BAR ⑥ THERMOPLASTIC PAVEMENT MARKING SHOULDER DIAGONAL, 12" @ 45° SPACING 20' C-C SOLID YELLOW ⑦ THERMOPLASTIC PAVEMENT MARKING LANE LINE, 6" SOLID WHITE | <ul style="list-style-type: none"> ⑧ THERMOPLASTIC PAVEMENT MARKING LEFT AND RIGHT TURN ONLY LETTERS AND SYMBOLS, 8" WHITE ⑨ THERMOPLASTIC PAVEMENT MARKING MEDIAN EDGE LINE, 4" SOLID YELLOW (DOUBLE) ⑩ THERMOPLASTIC PAVEMENT MARKING SCHOOL CROSSING, 12" @ 90° SOLID WHITE AND 2' APART ⑪ THERMOPLASTIC PAVEMENT MARKING NO PASSING ZONE LINES, 5-1/2" C-C FROM SKIP-DASH CENTERLINE 11" C-C YELLOW ⑫ THERMOPLASTIC PAVEMENT MARKING MEDIAN DIAGONAL, 12" @ 45° (MINIMUM OF 5 EQUALLY SPACED DIAGONAL LINES) |
|--|---|

PAVEMENT MARKING NOTES:

1. FOR PAVEMENT MARKING DETAILS SEE SPECIAL DETAIL SHEET FOR "DISTRICT ONE TYPICAL PAVEMENT MARKINGS."
2. FOR DETAILS AND SYMBOLS OF RAISED REFLECTIVE PAVEMENT MARKERS SEE SPECIAL DETAIL FOR "TYPICAL PAVEMENT MARKERS" (SNOW - PLOW RESISTANT)
3. FOR DETAILS OF LETTERS AND SYMBOLS SEE SPECIAL DETAIL FOR "PAVEMENT MARKING LETTERS AND SYMBOLS FOR TRAFFIC STAGING."

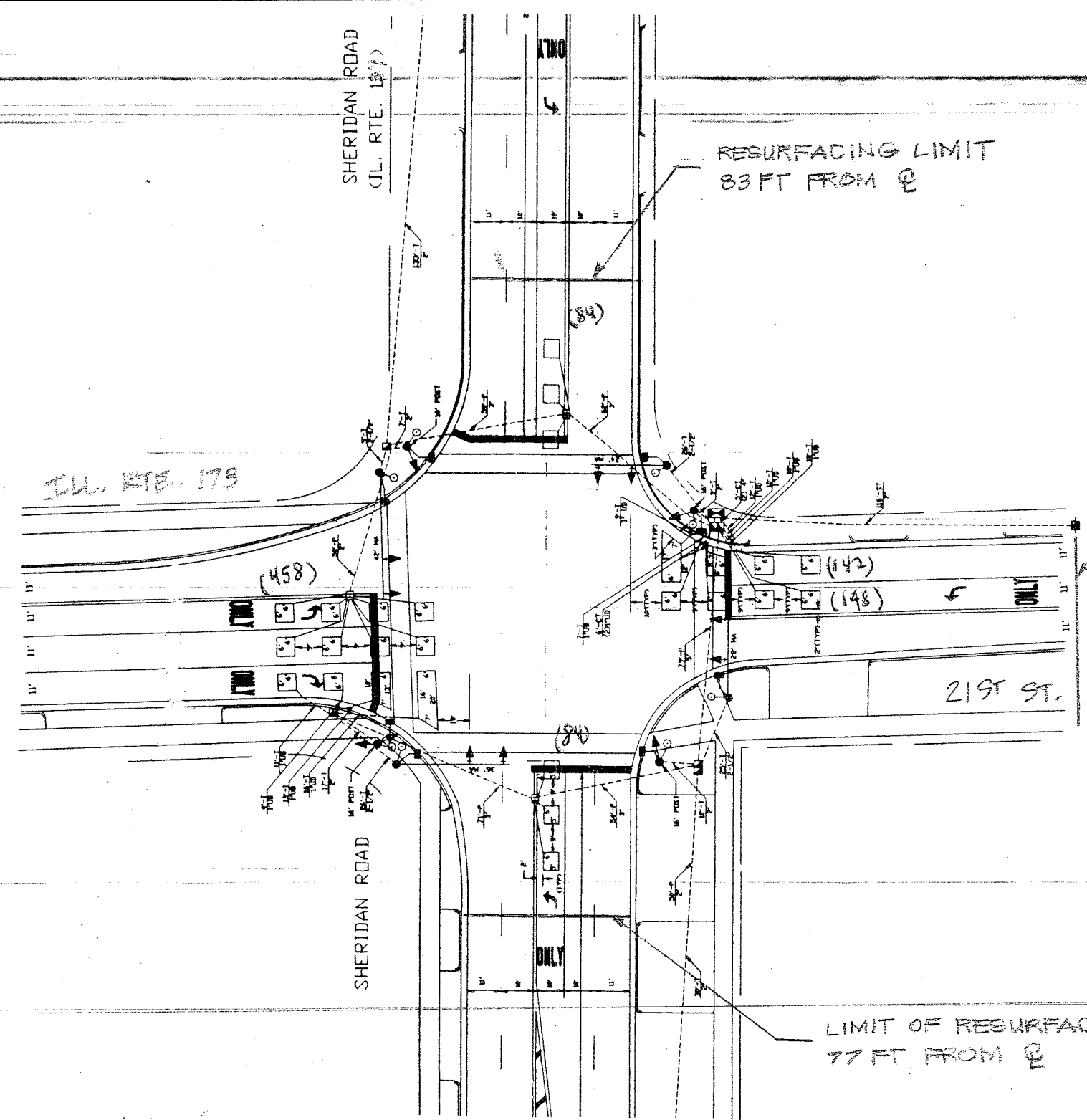
REVISIONS	
NAME	DATE

ILLINOIS DEPARTMENT OF TRANSPORTATION
ILL 173
LEWIS AVE. TO IL. 137 (SHERIDAN AVE.)
EXISTING AND PROPOSED
ROADWAY AND PAVEMENT MARKING PLANS
 SCALE: VERT. 1"=50'
 HORIZ. 1"=50'
 DATE 4/25/2007
 DRAWN BY
 CHECKED BY

PLOT DATE = 4/25/2007
 FILE NAME = c:\projects\ill137\ill137.dwg
 PLOT SCALE = 1/8"=1'-0" / IN.
 USER NAME = gurekshya

F.A.P. RTE.	SECTION	COUNTY	TOTAL SHEETS	SHEET NO.
303	136 RS-4	LAKE	25	10
STA.		TO STA.		
FED. ROAD DIST. NO. 1		ILLINOIS FED. AID PROJECT		

CONTRACT NO. 60010



NOTE:
 THIS PLAN IS FOR THE PURPOSE OF REPLACING THE DETECTOR LOOPS ONLY. ALL OTHER INFORMATION SHOWN IS NOT RELATED AND WILL BE DISREGARDED.

REPLACE ALL DETECTOR LOOPS AS SHOWN
 (WITHIN THE RESURFACING LIMITS)

CODE NO.	QUANTITY	UNIT	ITEM
	916	Foot	Detector Loop Replacement

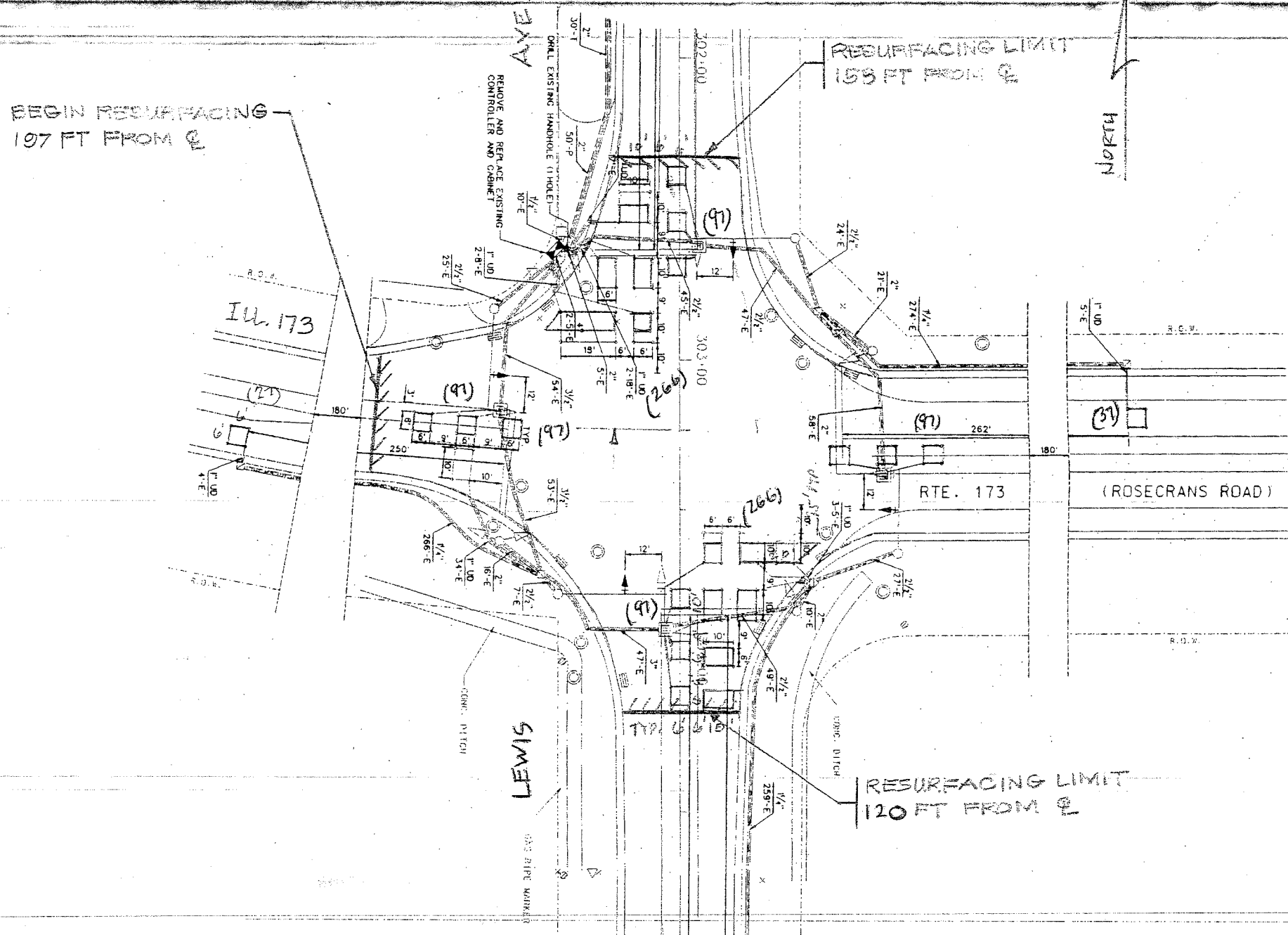
REVISIONS	
NAME	DATE

ILLINOIS DEPARTMENT OF TRANSPORTATION
 ILL 173
 LEWIS AVE. TO IL. 137 (SHERIDAN AVE.)
 DETECTOR LOOP REPLACEMENT
 ILL 173 @ LEWIS AVE.
 SCALE: VERT. _____
 HORIZ. _____
 DATE _____ DRAWN BY _____
 CHECKED BY _____

PLOT DATE : 4/29/2007
 FILE NAME : c:\projects\130607\ah_rdw.dgn
 PLOT SCALE : 1/8"=1'-0"
 USER NAME : qureshiya

F.A.P. RTE.	SECTION	COUNTY	TOTAL SHEETS	SHEET NO.
303	136 RS-4	LAKE	25	11
STA.	TO STA.			
FED. ROAD DIST. NO. 1 ILLINOIS FED. AID PROJECT				

CONTRACT NO. 60010



NOTE:
 THIS PLAN IS FOR THE PURPOSE OF REPLACING THE DETECTOR LOOPS ONLY. ALL OTHER INFORMATION SHOWN IS NOT RELATED AND WILL BE DISREGARDED.

**REPLACE ALL DETECTOR LOOPS AS SHOWN
 (WITHIN THE RESURFACING LIMITS)**

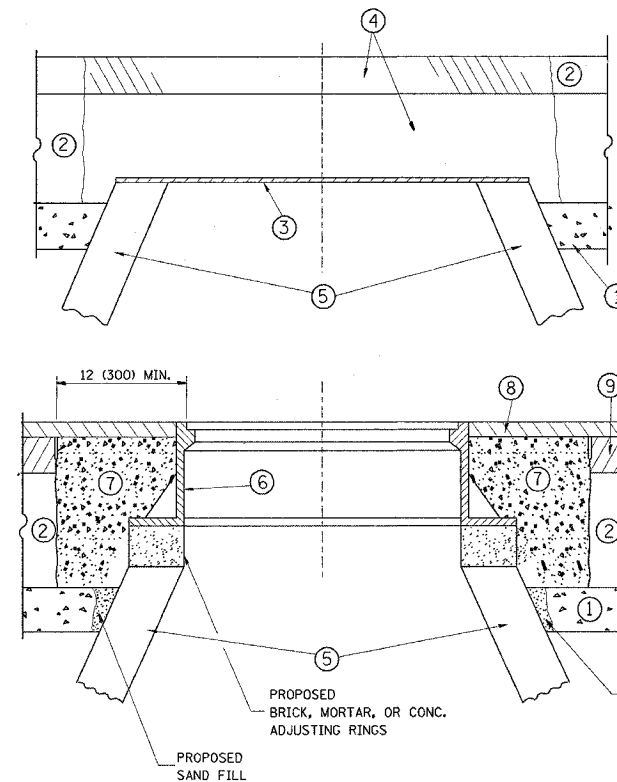
CODE NO.	QUANTITY	UNIT	ITEM
	984	Foot	Detector Loop Replacement

REVISIONS	
NAME	DATE

ILLINOIS DEPARTMENT OF TRANSPORTATION
 ILL 173
 LEWIS AVE TO IL 137 (SHERIDAN AVE.)
 DETECTOR LOOP REPLACEMENT
 ILL 173 @ IL 137
 SCALE: VERT. _____
 DATE _____ HORIZ. _____
 DRAWN BY _____
 CHECKED BY _____

PLOT DATE: 4/25/2007
 FILE NAME: c:\projects\130607\sh_rdw.dgn
 USER: User: rqureshiya

F.A.P. RTE.	SECTION	COUNTY	TOTAL SHEETS	SHEET NO.
303	136 RS-4	LAKE	25	12
STA.		TO STA.		
FED. ROAD DIST. NO. 1		ILLINOIS	FED. AID PROJECT	
CONTRACT NO. 60D10				



CONSTRUCTION PROCEDURES

STAGE 1 (BEFORE PAVEMENT MILLING)

- A) REMOVE A MINIMUM OF 12 (300) OF THE PAVEMENT FROM AROUND THE STRUCTURE.
- B) REMOVE THE EXISTING FRAME AND LID FROM THE STRUCTURE.
- C) COVER THE STRUCTURE OPENING WITH A 36 (900) DIAMETER METAL PLATE.
- D) BACKFILL WITH CRUSHED STONE AND A MINIMUM 1/2 (40) THICK HMA SURFACE MIX APPROVED BY THE ENGINEER.

STAGE 2 (AFTER PAVEMENT MILLING)

- A) REMOVE THE HMA SURFACE MIX AND CRUSHED STONE.
- B) INSTALL THE FRAME AND LID; ADJUST THE FRAME TO ITS FINAL SURFACE ELEVATION.
- C) THE SURROUNDING SPACE SHALL BE FILLED WITH CLASS SI CONCRETE, OR HMA SURFACE COURSE OR HMA BINDER COURSE TO THE ELEVATION OF THE SURFACE OF THE EXISTING BASE COURSE OR THE BINDER COURSE.

THE PROCEDURE EXPLAINED ABOVE SHALL CONFORM TO THE APPLICABLE PORTIONS OF SECTIONS 353, 406, 602, AND 603 OF THE STANDARD SPECIFICATIONS.

LEGEND

- ① SUB-BASE GRANULAR MATERIAL
- ② EXISTING PAVEMENT
- ③ 36 (900) DIAMETER METAL PLATE
- ④ PROPOSED CRUSHED STONE AND HMA SURFACE MIX
- ⑤ EXISTING STRUCTURE
- ⑥ FRAME AND LID (SEE NOTES)
- ⑦ CLASS SI CONCRETE, HMA SURFACE COURSE OR HMA BINDER COURSE
- ⑧ PROPOSED HMA SURFACE COURSE
- ⑨ PROPOSED HMA BINDER COURSE

LOCATION OF STRUCTURES:

THE CONTRACTOR WILL BE REQUIRED TO KEEP A RECORD OF THE LOCATIONS OF THE BURIED STRUCTURES ACCORDING TO THE STATION AND DISTANCE LEFT OR RIGHT OF THE CENTERLINE OF PAVEMENT. UPON COMPLETION OF THE WORK, THE CONTRACTOR WILL DELIVER THE RECORD TO THE ENGINEER.

BASIS OF PAYMENT: THIS WORK WILL BE PAID FOR AT THE CONTRACT UNIT PRICE PER EACH FOR "FRAMES AND LIDS TO BE ADJUSTED, SPECIAL"

NEW FRAMES AND LIDS, WHEN SPECIFIED, WILL BE PAID FOR SEPARATELY.

NOTES:

EXISTING BROKEN FRAMES AND LIDS SHALL BE REMOVED AND DISPOSED OF BY THE CONTRACTOR AND SHALL BE REPLACED AS DIRECTED BY THE ENGINEER. REPLACEMENT FRAMES AND LIDS WILL BE PAID FOR IN ACCORDANCE WITH ARTICLE 109.04 OF THE STANDARD SPECIFICATIONS UNLESS A SEPARATE PAY ITEM HAS BEEN PROVIDED.

IF THE EXISTING LIDS ARE OPEN, THE FRAME WILL BE ADJUSTED TO THE ELEVATION OF THE MILLED PAVEMENT SURFACE PRIOR TO THE MILLING OPERATION. THE FRAME WILL NOT BE REMOVED AND COVERED BY THE METAL PLATE.

CITY OF CHICAGO CASTINGS ARE THE PROPERTY OF THE CITY AND THE CONTRACTOR SHALL NOTIFY THE CITY FOR REMOVAL AND DISPOSITION OF THE CASTINGS.

THE METAL PLATE USED TO COVER THE STRUCTURE SHALL REMAIN THE PROPERTY OF THE CONTRACTOR.

WHEN STRUCTURES ARE TO BE ADJUSTED OR RECONSTRUCTED, THE LOWERING AND RAISING OF THE FRAMES AND LIDS WILL NOT BE PAID FOR SEPARATELY BUT WILL BE INCLUDED IN THE COST OF THE CORRESPONDING PAY ITEM.

DETAILS FOR FRAMES AND LIDS ADJUSTMENT WITH MILLING

ALL DIMENSIONS ARE IN INCHES (MILLIMETERS) UNLESS OTHERWISE SHOWN

REVISIONS	
NAME	DATE
R. SHAH	10/25/94
R. SHAH	01/30/95
R. SHAH	03/10/95
A. ABBAS	03/21/97
R. WIEDEMAN	05/14/04
R. BORO	01/01/07

ILLINOIS DEPARTMENT OF TRANSPORTATION
**DETAILS FOR
FRAMES AND LIDS ADJUSTMENT
WITH MILLING**

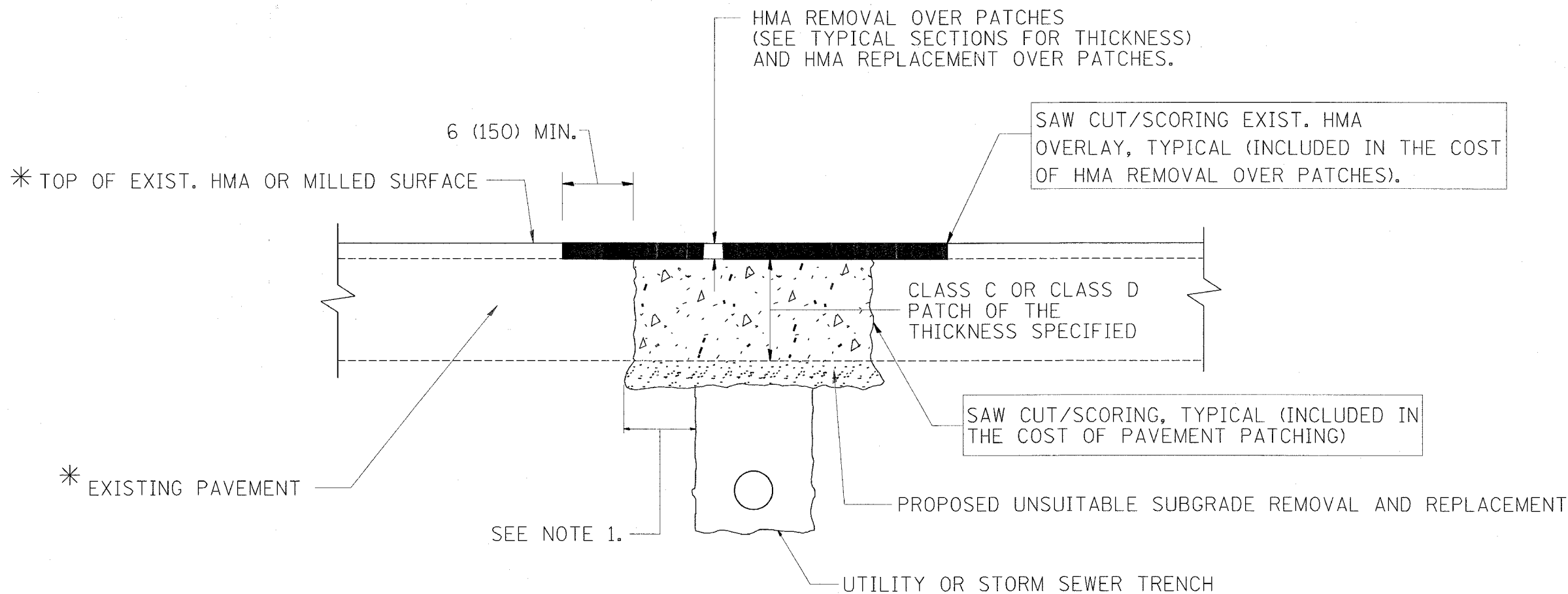
SCALE: VERT. NONE
HORIZ. NONE
PLOT DATE: 4/25/2007

DRAWN BY
CHECKED BY

BD600-03 (BD-8)

REVISION DATE: 01/01/07

F.A.P. RTE.	SECTION	COUNTY	TOTAL SHEETS	SHEET NO.
303	136 RS-4	LAKE	25	13
STA.		TO STA.		
FED. ROAD DIST. NO. 1		ILLINOIS	FED. AID PROJECT	
CONTRACT NO. 60D10				



* SEE TYPICAL SECTIONS FOR THICKNESS AND MATERIALS

NOTES:

1. THE WIDTH OF THE FULL DEPTH PATCH OVER A TRENCH SHALL BE 12 (300) WIDER ON EACH SIDE OF THE TRENCH.
2. FOR METHOD OF MEASUREMENT AND BASIS OF PAYMENT, SEE RECURRING SPECIAL PROVISION "PATCHING WITH HOT-MIX ASPHALT OVERLAY REMOVAL".

SEQUENCE OF CONSTRUCTION

1. REMOVE THE EXISTING HMA MATERIAL OVER THE AREA TO BE PATCHED.
2. REMOVE AND REPLACE FULL DEPTH PATCHES
3. REPLACE HMA MATERIAL OVER THE AREA TO BE PATCHED.

ALL DIMENSIONS ARE IN INCHES (MILLIMETERS) UNLESS OTHERWISE SHOWN.

REVISIONS	
NAME	DATE
R. SHAH	10/25/94
R. SHAH	01/14/95
R. SHAH	03/23/95
R. SHAH	04/24/95
A. HOUSEH	03/15/96
A. ABBAS	03/21/97
A. ABBAS	01/20/98
ART ABBAS	04/27/98
R. BORO	01/01/07

ILLINOIS DEPARTMENT OF TRANSPORTATION

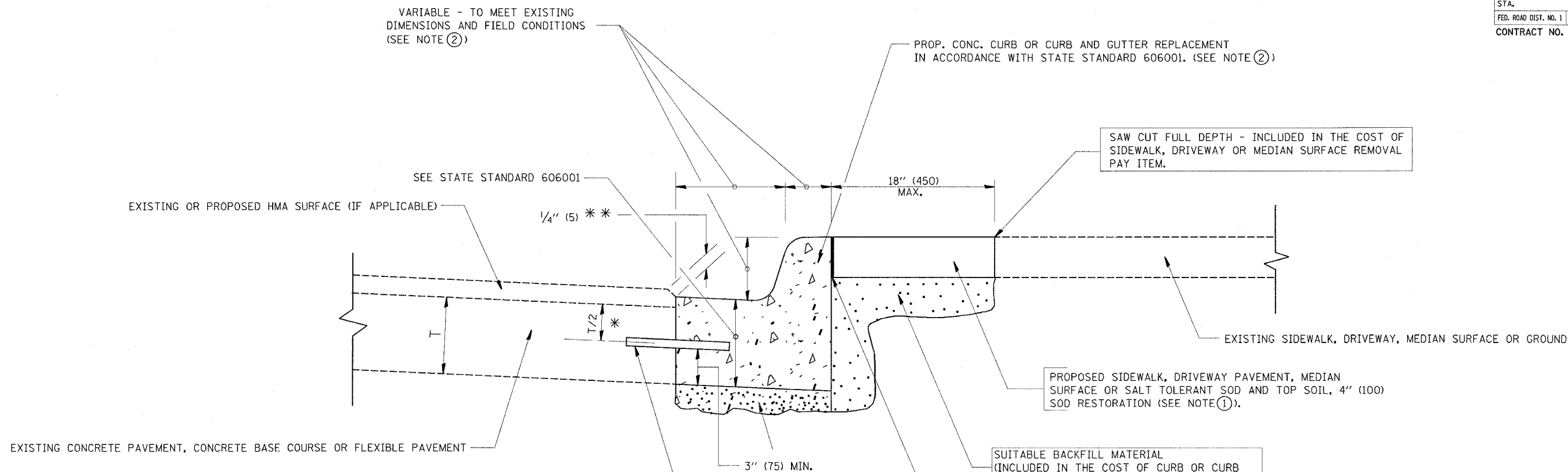
PAVEMENT PATCHING FOR HMA SURFACED PAVEMENT

SCALE: VERT. NONE
HORIZ. 4/25/2007

DRAWN BY
CHECKED BY

BD400-04 (BD-22)
REVISION DATE: 01/01/07

F.A.P. RTE.	SECTION	COUNTY	TOTAL SHEETS	SHEET NO.
303	136 RS-4	LAKE	25	14
STA.	TO STA.			
FED. ROAD DIST. NO. 1		ILLINOIS	FED. AID PROJECT	
CONTRACT NO. 60D10				



- * 3" (75) MINIMUM FROM TOP AND BOTTOM OF THE CONCRETE PAVEMENT OR BASE COURSE.
- ** IF THE FINAL SURFACE OF THE PAVEMENT IS CONCRETE, THE GUTTER IS TO BE FLUSH WITH THE PAVEMENT.

NOTE: ① SIDEWALK, DRIVEWAY PAVEMENT OR MEDIAN SURFACE SHALL BE SIMILAR TO THE MATERIAL BEING REMOVED AND WILL BE PAID FOR SEPARATELY.

SALT TOLERANT SOD AND TOP SOIL, 4" (100) RESTORATION WILL NOT BE PAID FOR SEPARATELY, BUT SHALL BE INCLUDED IN THE COST OF CURB OR CURB AND GUTTER REMOVAL AND REPLACEMENT.

- ② CURB OR CURB AND GUTTER REPLACEMENT SHALL MATCH THE SHAPE OF THE EXISTING CURB OR CURB AND GUTTER UNLESS OTHERWISE SPECIFIED.
- ③ FOR CURB OR CURB AND GUTTER REMOVAL AND REPLACEMENT ADJACENT TO FLEXIBLE PAVEMENT DELETE EPOXY COATED TIE BARS.
- ④ LONGITUDINAL BARS, IF ENCOUNTERED IN THE EXISTING CURB OR CURB AND GUTTER, ARE NOT TO BE REPLACED. CUTTING AND REMOVING LONGITUDINAL BARS SHALL BE INCLUDED IN THE COST OF CURB OR CURB AND GUTTER REMOVAL AND REPLACEMENT.
- ⑤ THE COST OF HMA SURFACE REMOVAL IN THE EXISTING GUTTER FLAG SHALL BE INCLUDED IN THE COST OF THE CURB AND GUTTER REMOVAL AND REPLACEMENT.
- ⑥ THE REMOVAL AND REPLACEMENT OF THE EXISTING CURB OR CURB AND GUTTER SHALL BE DONE IN ACCORDANCE WITH THE APPLICABLE PORTIONS OF SECTION 440 AND 606 OF THE STANDARD SPECIFICATIONS.
- ⑦ THE LOCATIONS OF REMOVAL AND REPLACEMENT OF EXISTING CURB OR CURB AND GUTTER SHALL BE DETERMINED BY THE RESIDENT ENGINEER AT THE TIME OF CONSTRUCTION.

BASIS OF PAYMENT:
 THIS WORK WILL BE PAID FOR AT THE CONTRACT UNIT PRICE PER FOOT (METER) FOR "CURB REMOVAL AND REPLACEMENT" OR "COMBINATION CONCRETE CURB AND GUTTER REMOVAL AND REPLACEMENT".

ALL DIMENSIONS ARE IN INCHES (MILLIMETERS) UNLESS OTHERWISE SHOWN.

REVISIONS	
NAME	DATE
A. HOUSEH	03/11/94
R. SHAH	02/24/95
R. SHAH	03/02/95
R. SHAH	08/19/96
R. SHAH	09/12/96
R. SHAH	09/19/96
R. SHAH	10/03/96
A. ABBAS	03/21/97
M. GOMEZ	01/22/01
R. BORO	01/01/07

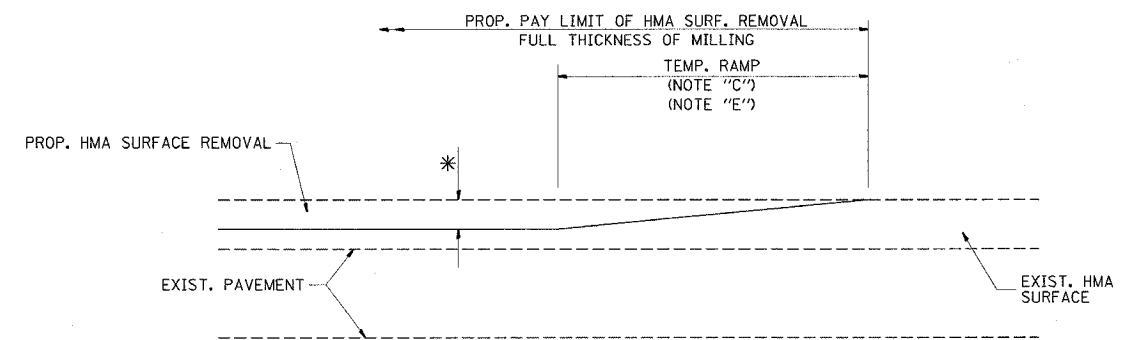
ILLINOIS DEPARTMENT OF TRANSPORTATION
 CURB OR CURB AND GUTTER REMOVAL AND REPLACEMENT

SCALE: VERT. NONE
 HORIZ.
 PLOT DATE: 4/25/2007
 DRAWN BY
 CHECKED BY

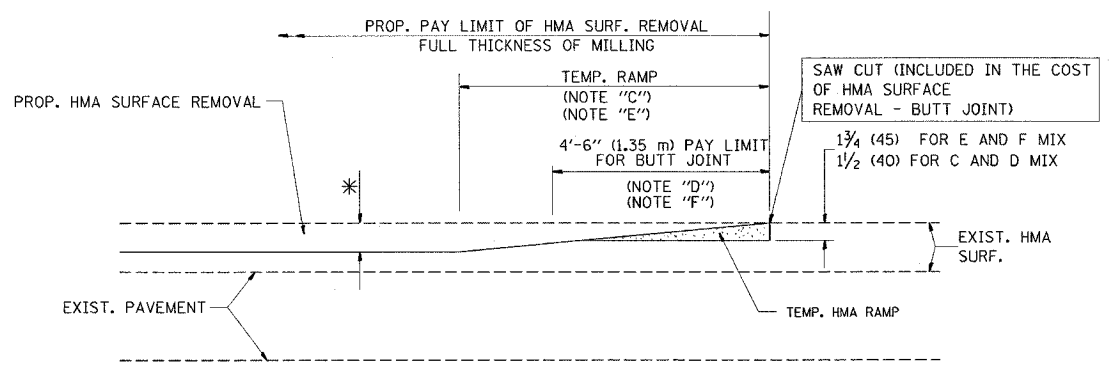
CURB OR CURB AND GUTTER REMOVAL AND REPLACEMENT

PLOT DATE = 4/25/2007
 FILE NAME = C:\Users\qshah\Documents and Settings\qshah\My Documents\60D10 - ILL 173\bd24.dgn
 PLOT SCALE = 50.0000 / IN.
 USER NAME = qshah

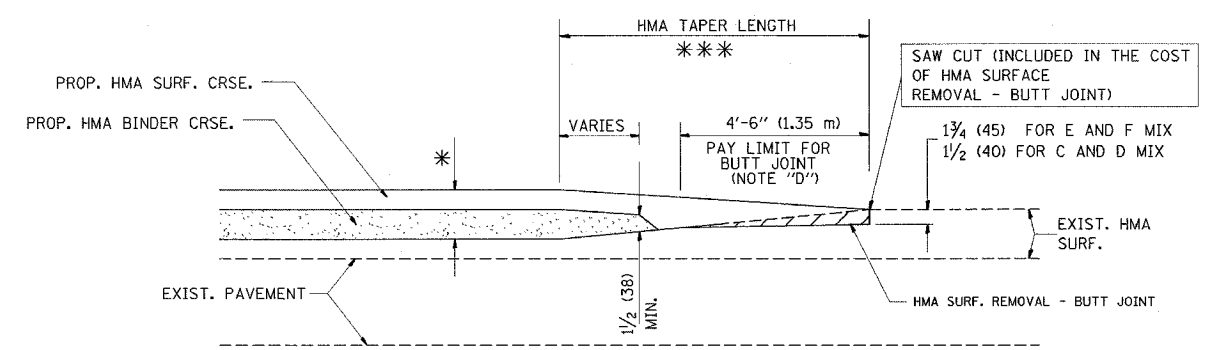
F.A.P. RTE.	SECTION	COUNTY	TOTAL SHEETS	SHEET NO.
303	136 RS-4	LAKE	25	15
STA.		TO STA.		
FED. ROAD DIST. NO. 1 ILLINOIS FED. AID PROJECT				
CONTRACT NO. 60D10				



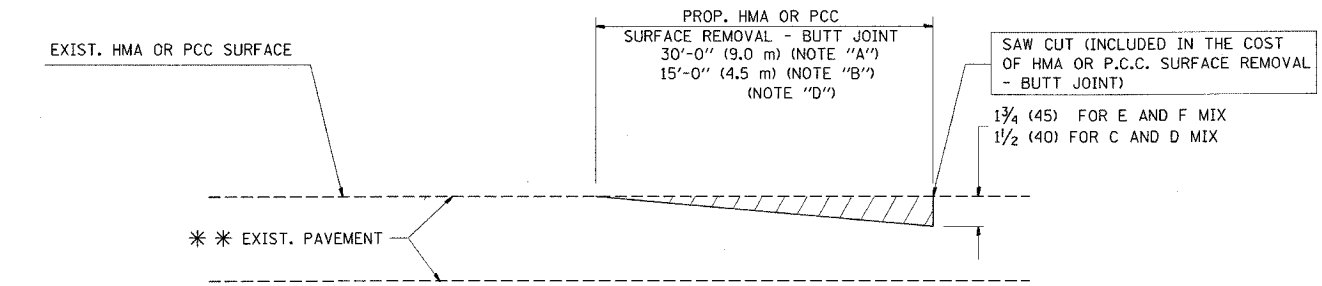
OPTION 1



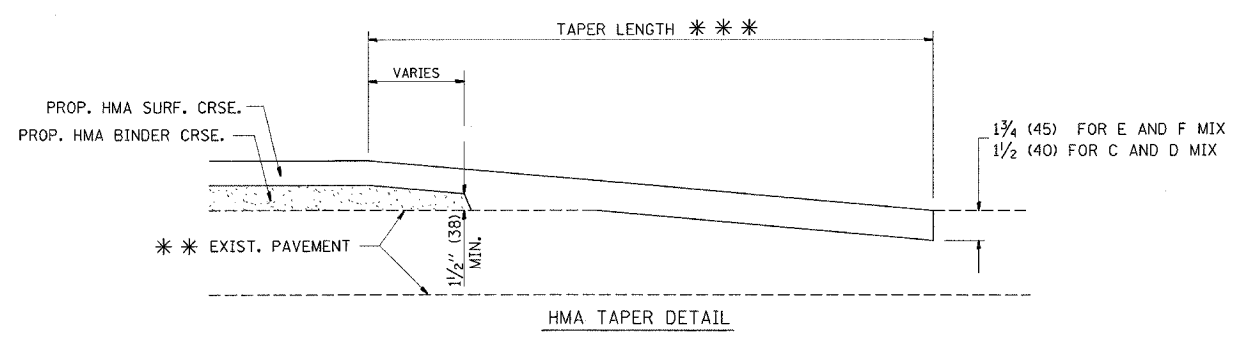
OPTION 2
TYPICAL TEMPORARY RAMP



TYPICAL BUTT JOINT AND HMA TAPER FOR MILLING AND RESURFACING



BUTT JOINT DETAIL



TYPICAL BUTT JOINT AND HMA TAPER FOR RESURFACING ONLY

*** PC CONCRETE, HMA OR HMA RESURFACED PAVEMENT.

NOTES

- A: MAINLINE ROADWAYS AND MAJOR SIDE ROADS.
- B: MINOR SIDE ROADS.
- C: THE TEMP. RAMP SHALL BE CONSTRUCTED IMMEDIATELY UPON REMOVAL OF THE EXISTING HMA SURFACE.
- D: THE BUTT JOINT SHALL BE CONSTRUCTED IMMEDIATELY PRIOR TO PLACING THE PROPOSED HMA COURSES.
- E: TAPER THE TEMP. RAMP AT A RATE OF 3'-0" (900 mm) PER 1 INCH (25 mm) OF MILLING THICKNESS.
- F: INSTALLATION AND REMOVAL OF THE 4'-6" (1.35 m) TEMP. RAMP IS INCLUDED IN COST OF HMA SURFACE REMOVAL - BUTT JOINT
- G: SEE ARTICLE 406.08 AND 406.14 OF THE STANDARD SPECIFICATIONS FOR "HMA AND/OR PCC SURFACE REMOVAL, BUTT JOINT".
- * SEE TYPICAL SECTIONS FOR MILLING THICKNESS.
- *** 20'-0" (6.1 m) PER 1 (25) RESURFACING (NOTE "A")
10'-0" (3.0 m) PER 1 (25) RESURFACING (NOTE "B")

ALL DIMENSIONS ARE IN INCHES (MILLIMETERS) UNLESS OTHERWISE SHOWN.

BASIS OF PAYMENT:

THE BUTT JOINT WILL BE PAID FOR AT THE CONTRACT UNIT PRICE PER SQUARE YARD (SQUARE METER) FOR "HOT-MIX ASPHALT SURFACE REMOVAL - BUTT JOINT" OR FOR "PORTLAND CEMENT CONCRETE SURFACE REMOVAL - BUTT JOINT".

REVISIONS	
NAME	DATE
M. DE YONG	6-13-90
M. DE YONG	7-3-90
M. DE YONG	3-27-92
R. SHAH	09/09/94
R. SHAH	10/25/94
A. ABBAS	03/21/97
M. GOMEZ	04/06/01
R. BORO	01/01/07

ILLINOIS DEPARTMENT OF TRANSPORTATION

BUTT JOINT AND HMA TAPER DETAILS

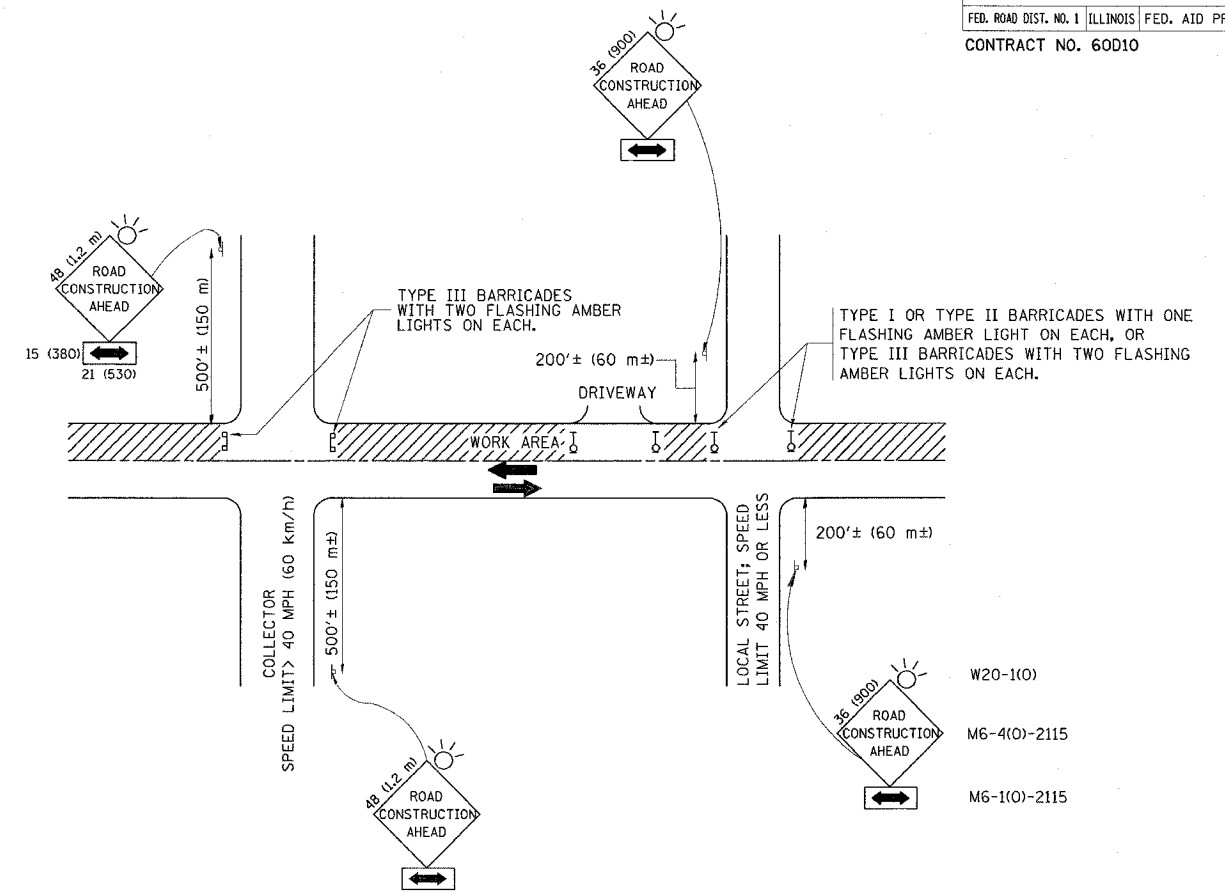
SCALE: VERT. NONE
HORIZ. NONE
PLOT DATE: 4/25/2007

DRAWN BY
CHECKED BY

BD400-05 (VI=BD32)
REVISION DATE: 01/01/07

PLOT DATE = 4/25/2007
 FILE NAME = C:\Documents and Settings\qureshuq\Desktop\680319 - ILL 173\bd32.dgn
 PLOT SCALE = 50.000000 / 1 IN
 USER NAME = qureshuq

F.A.P. RTE.	SECTION	COUNTY	TOTAL SHEETS	SHEET NO.
303	136 RS-4	LAKE	25	16
STA.		TO STA.		
FED. ROAD DIST. NO. 1		ILLINOIS	FED. AID PROJECT	
CONTRACT NO. 60D10				



TRAFFIC CONTROL AND PROTECTION FOR SIDE ROADS, INTERSECTIONS, AND DRIVEWAYS

NOTES:

A. FOR NO LANE RESTRICTION ON THE SIDE ROAD OR DRIVEWAYS

- SIDE ROAD WITH A SPEED LIMIT OF 40 MPH (60 km/h) OR LESS AS SHOWN ON THE DRAWING AND AS DIRECTED BY THE ENGINEER:
 - ONE **ROAD CONSTRUCTION AHEAD** SIGN 36 x 36 (900x900) WITH A FLASHER AND FLAG MOUNTED ON IT APPROXIMATELY 200' (60 m) IN ADVANCE OF THE MAIN ROUTE.
 - THE CLOSED PORTION OF THE MAIN ROUTE SHALL BE PROTECTED BY BLOCKING WITH TYPE I, TYPE II OR TYPE III BARRICADES, 1/3 OF THE CROSS SECTION OF THE CLOSED PORTION.
- SIDE ROAD WITH A SPEED LIMIT GREATER THAN 40 MPH (60 km/h) AS SHOWN ON THE DRAWING AND AS DIRECTED BY THE ENGINEER:
 - ONE **ROAD CONSTRUCTION AHEAD** SIGN 48 x 48 (1.2 m x 1.2 m) WITH A FLASHER MOUNTED ON IT APPROXIMATELY 500' (150 m) IN ADVANCE OF THE MAIN ROUTE.
 - THE CLOSED PORTION OF THE MAIN ROUTE SHALL BE PROTECTED BY BLOCKING WITH TYPE III BARRICADES, 1/2 OF THE CROSS SECTION OF THE CLOSED PORTION.
- WHEN THE SIDE ROAD LIES BETWEEN THE BEGINNING OF THE MAINLINE SIGNING AND THE WORK ZONE, A SINGLE HEADED ARROW (M6-1) SHALL BE USED IN LIEU OF THE DOUBLE HEADED ARROW (M6-4).

B. FOR A LANE CLOSURE ON A SIDE ROAD OR DRIVEWAY:

- USE APPLICABLE PORTIONS OF THE TYPICAL APPLICATION OF TRAFFIC CONTROL DEVICES (STD. 701501, STD. 701606 OR THE APPROPRIATE STANDARD). THE SPACING OF SIGNS AND BARRICADES SHALL BE ADJUSTED FOR FIELD CONDITIONS AS DIRECTED BY THE ENGINEER. THE DIRECTIONAL ARROW SHALL BE COVERED OR REMOVED WHEN NO LONGER CONSISTENT WITH THE SIDE ROAD LANE CLOSURE.
- ADVANCE WARNING SIGNS ARE TO BE OMITTED ON DRIVEWAY UNLESS OTHERWISE NOTED.
 - THE TRAFFIC CONTROL AND PROTECTION FOR SIDE ROADS, INTERSECTIONS, AND DRIVEWAYS SHALL BE INCIDENTAL TO THE COST OF SPECIFIED TRAFFIC CONTROL STANDARDS OR ITEMS.

All dimensions are in millimeters (inches) unless otherwise shown.

REVISIONS	
NAME	DATE
LHA	6/89
T. RAMMACHER	09/08/94
J. OBERLE	10/18/95
A. HOUSEH	03/06/96
A. HOUSEH	10/15/96
T. RAMMACHER	01/06/00

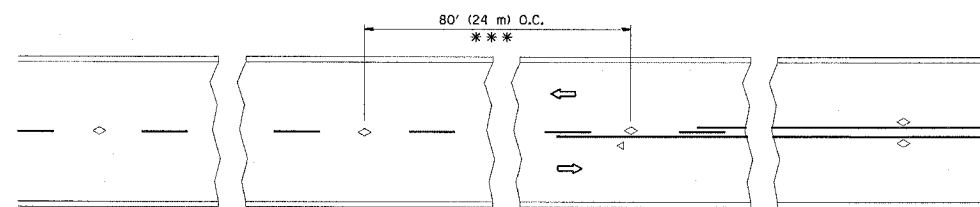
ILLINOIS DEPARTMENT OF TRANSPORTATION
TRAFFIC CONTROL AND PROTECTION FOR SIDE ROADS, INTERSECTIONS, AND DRIVEWAYS

SCALE:
 DATE: 4/25/2007

DRAWN BY
 CHECKED BY

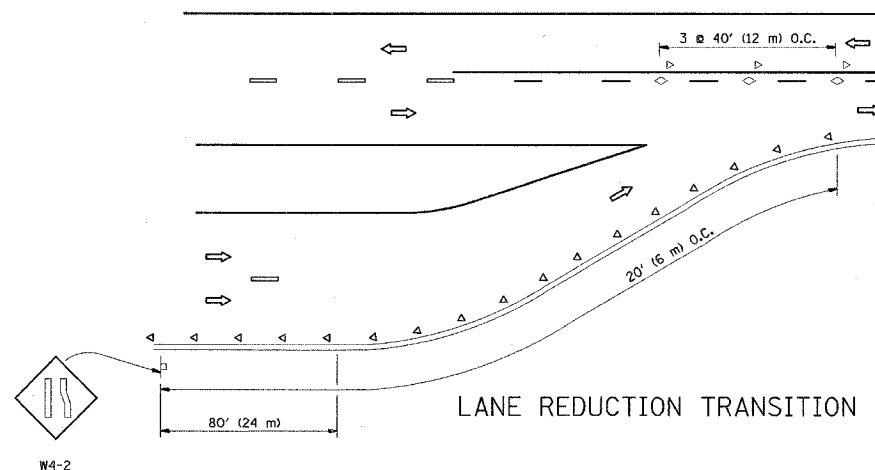
TC-10
 REVISION DATE: 02/15/07

F.A.P. RTE.	SECTION	COUNTY	TOTAL SHEETS	SHEET NO.
303	136 RS-4	LAKE	25	17
STA.		TO STA.		
FED. ROAD DIST. NO. 1		ILLINOIS FED. AID PROJECT		
CONTRACT NO. 60D10				

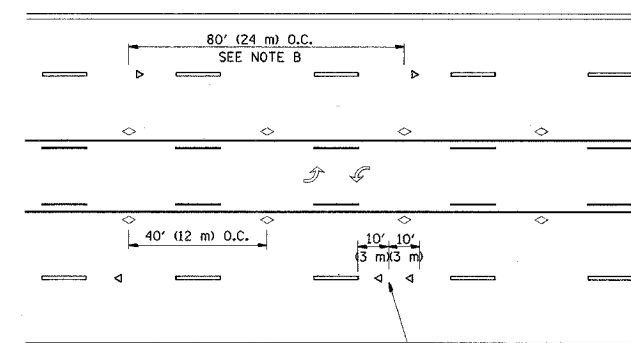


*** REDUCE TO 40' (12 m) O.C. ON CURVES WITH POSTED OR ADVISORY SPEED 45 M.P.H. (70 km/h) OR LESS.

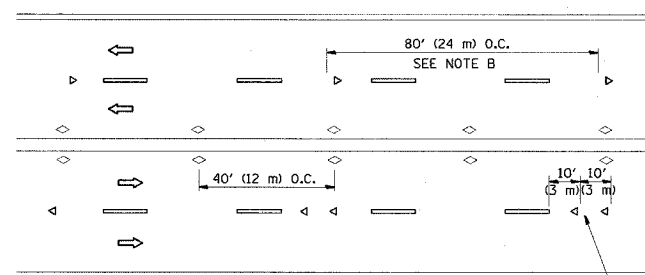
TWO-LANE/TWO-WAY



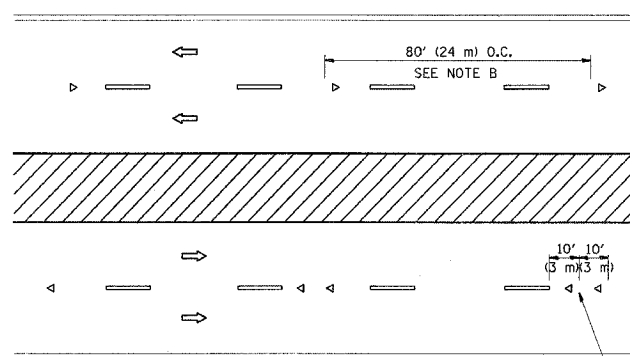
LANE REDUCTION TRANSITION



TWO-WAY LEFT TURN



MULTI-LANE/UNDIVIDED



MULTI-LANE/DIVIDED

GENERAL NOTES

1. MARKERS USED WITH DASHED LINES SHALL BE CENTERED IN THE GAP BETWEEN SEGMENTS.
2. MARKERS USED ADJACENT TO SOLID LINES SHALL BE OFFSET 2 TO 3 (50 TO 75) TOWARD TRAFFIC AS SHOWN.
3. MARKERS THROUGH TANGENTS LESS THAN 500' (150 m) IN LENGTH BETWEEN CURVES SHALL BE INSTALLED AT THE LESSER OF THE TWO CURVE SPACINGS.

LANE MARKER NOTES

- B. REDUCE TO 40' (12 m) O.C. ON CURVES WHERE ADVISORY SPEEDS ARE 10 M.P.H. (20 km/h) LOWER THAN POSTED SPEEDS.
- A. USE DOUBLE LANE LINE MARKERS SPACED AS SHOWN.

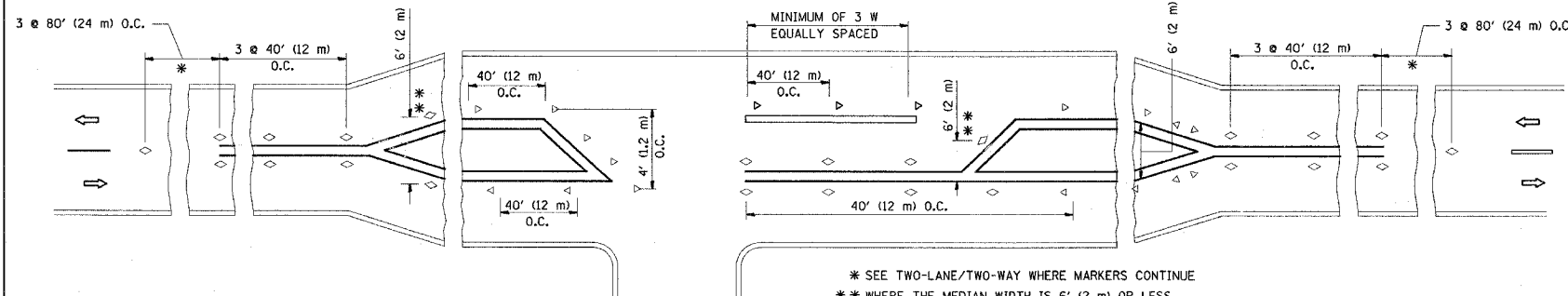
SYMBOLS

- YELLOW STRIPE
- WHITE STRIPE
- ◁ ONE-WAY AMBER MARKER
- ◁ ONE-WAY CRYSTAL MARKER (W/O)
- ◇ TWO-WAY AMBER MARKER

DESIGN NOTES

1. DOUBLE LANE LINE MARKERS SHALL BE USED UNLESS SPECIFIED OTHERWISE.
2. EXCEPT AS SHOWN ON THE LANE REDUCTION TRANSITION AND FREEWAY EXIT RAMP DETAIL, MARKERS ARE NOT TO BE SPECIFIED ON RIGHT EDGE LINES.
3. THE EXACT MARKER LIMITS, SPACING, AND COLOR SHOULD BE INCLUDED IN THE PLANS.
4. MARKERS SHOULD NOT BE USED ALONGSIDE CURBS EXCEPT FOR EXTREMELY SHORT SECTIONS OF CURBS WHERE NOT MORE THAN TWO MARKERS WOULD BE INVOLVED.

All dimensions are in millimeters (Inches) unless otherwise shown.



LEFT TURN

* SEE TWO-LANE/TWO-WAY WHERE MARKERS CONTINUE
 ** WHERE THE MEDIAN WIDTH IS 6' (2 m) OR LESS USE TWO-WAY MARKERS.

REVISIONS	
NAME	DATE
T. RAMMACHER	09-19-94
T. RAMMACHER	03-12-99
T. RAMMACHER	01-06-00

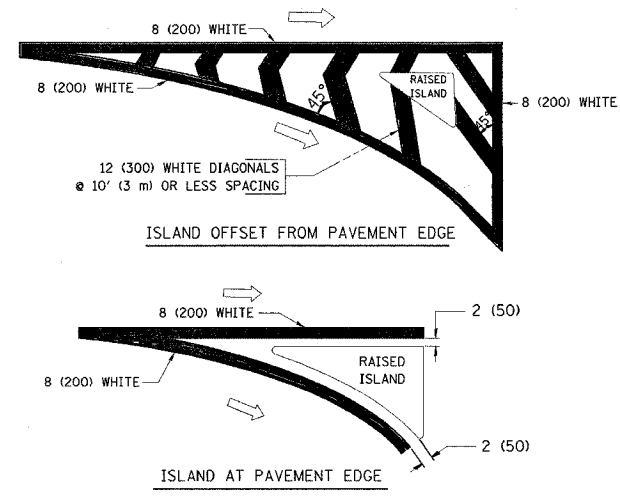
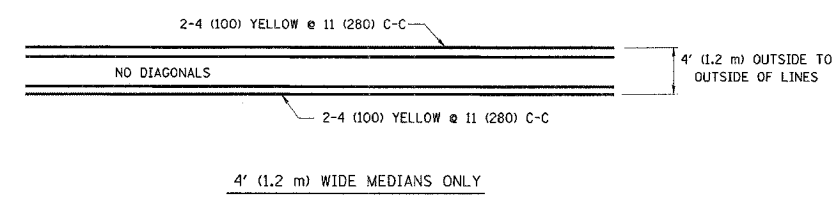
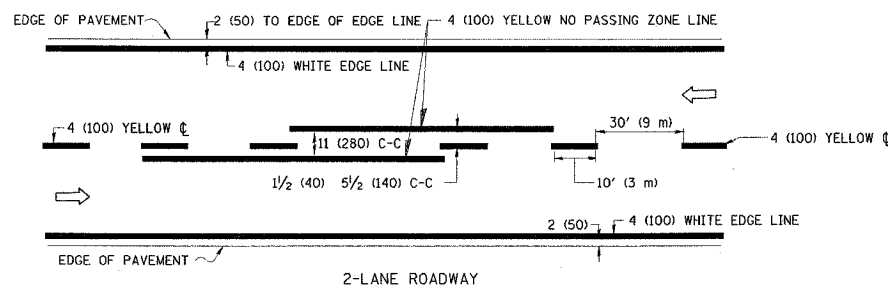
ILLINOIS DEPARTMENT OF TRANSPORTATION
 TYPICAL APPLICATIONS
 RAISED REFLECTIVE PAVEMENT
 MARKERS (SNOW-PLOW RESISTANT)

SCALE: NONE
 DATE: 4/25/2007

DRAWN BY CADD
 CHECKED BY

TC-11
 REVISION DATE: 01/06/00

F.A.P. RTE.	SECTION	COUNTY	TOTAL SHEETS	SHEET NO.
303	136 RS-4	LAKE	25	18
STA.	TO STA.			
FED. ROAD DIST. NO. 1		ILLINOIS	FED. AID PROJECT	
CONTRACT NO. 60D10				



TYPICAL ISLAND MARKING

TYPE OF MARKING	WIDTH OF LINE	PATTERN	COLOR	SPACING / REMARKS
CENTERLINE ON 2 LANE PAVEMENT	4 (100)	SKIP-DASH	YELLOW	10' (3 m) LINE WITH 30' (9 m) SPACE
CENTERLINE ON MULTI-LANE UNDIVIDED PAVEMENT	2 @ 4 (100)	SOLID	YELLOW	11 (280) C-C
NO PASSING ZONE LINES: FOR ONE DIRECTION FOR BOTH DIRECTIONS	4 (100) 2 @ 4 (100)	SOLID SOLID	YELLOW YELLOW	5/2 (140) C-C FROM SKIP-DASH CENTERLINE 11 (280) C-C OMIT SKIP-DASH CENTERLINE BETWEEN
LANE LINES	4 (100) 5 (125) ON FREEWAYS	SKIP-DASH SKIP-DASH	WHITE WHITE	10' (3 m) LINE WITH 30' (9 m) SPACE
DOTTED LINES (EXTENSIONS OF CENTER, LANE OR TURN LANE MARKINGS)	SAME AS LINE BEING EXTENDED	SKIP-DASH	SAME AS LINE BEING EXTENDED	2' (600) LINE WITH 6' (1.8 m) SPACE
EDGE LINES	4 (100)	SOLID	YELLOW-LEFT WHITE-RIGHT	OUTLINE MOUNTABLE MEDIANS IN YELLOW; EDGE LINES ARE NOT USED NEXT TO BARRIER CURB
TURN LANE MARKINGS	6 (150) LINE; FULL SIZE LETTERS & SYMBOLS (8' (2.4m))	SOLID	WHITE	SEE TYPICAL TURN LANE MARKING DETAIL
TWO WAY LEFT TURN MARKING	2 @ 4 (100) EACH DIRECTION 8' (2.4m) LEFT ARROW	SKIP-DASH AND SOLID IN PAIRS	YELLOW WHITE	10' (3 m) LINE WITH 30' (9 m) SPACE FOR SKIP-DASH; 5/2 (140) C-C BETWEEN SOLID LINE AND SKIP-DASH LINE SEE TYPICAL TWO-WAY LEFT TURN MARKING DETAIL
CROSSWALK LINES (PEDESTRIAN) A. DIAGONALS (BIKE & EQUESTRIAN) B. LONGITUDINAL BARS (SCHOOL)	2 @ 6 (150) 12 (300) @ 45° 12 (300) @ 90°	SOLID SOLID SOLID	WHITE WHITE WHITE	NOT LESS THAN 6' (1.8 m) APART 2' (600) APART SEE TYPICAL CROSSWALK MARKING DETAILS.
STOP LINES	24 (600)	SOLID	WHITE	PLACE 4' (1.2 m) IN ADVANCE OF AND PARALLEL TO CROSSWALK, IF PRESENT. OTHERWISE, PLACE AT DESIRED STOPPING POINT, PARALLEL TO CROSSROAD CENTERLINE, WHERE POSSIBLE
PAINTED MEDIANS	2 @ 4 (100) WITH 12 (300) DIAGONALS @ 45° NO DIAGONALS USED FOR 4' (1.2 m) WIDE MEDIANS	SOLID	YELLOW; TWO WAY TRAFFIC WHITE; ONE WAY TRAFFIC	11 (280) C-C FOR THE DOUBLE LINE SEE TYPICAL PAINTED MEDIAN MARKING.
GORE MARKING AND CHANNELIZING LINES	8 (200) WITH 12 (300) DIAGONALS @ 45°	SOLID	WHITE	DIAGONALS: 15' (4.5 m) C-C (LESS THAN 30MPH (50 km/h)) 20' (6 m) C-C (30MPH (50 km/h) TO 45MPH (70 km/h)) 30' (9 m) C-C (OVER 45MPH (70 km/h))
RAILROAD CROSSING	24 (600) TRANSVERSE LINES; "RR" IS 6' (1.8 m) LETTERS; 18 (400) LINE FOR "X"	SOLID	WHITE	SEE STATE STANDARD 780001 AREA OF: "R"=3.6 SQ. FT. (0.33 m ²) EACH "X"=54.0 SQ. FT. (5.0 m ²)
SHOULDER DIAGONALS	12 (300) @ 45°	SOLID	WHITE - RIGHT YELLOW - LEFT	50' (15 m) C-C (LESS THAN 30MPH (50 km/h)) 75' (25 m) C-C (30 MPH (50 km/h) TO 45MPH (70 km/h)) 150' (45 m) C-C (OVER 45MPH (70 km/h))

FOR FURTHER DETAILS ON PAVEMENT MARKING REFER TO STANDARD SPECIFICATIONS FOR ROAD AND BRIDGE CONSTRUCTION AND STATE STANDARD 780001.

All dimensions are in millimeters (inches) unless otherwise shown.

REVISIONS	
NAME	DATE
EVERS	03-19-90
T. RAMMACHER	10-27-94
ALEX HOUSEH	10-09-96
ALEX HOUSEH	10-17-96
T. RAMMACHER	01-06-00

ILLINOIS DEPARTMENT OF TRANSPORTATION

DISTRICT ONE

TYPICAL PAVEMENT MARKINGS

SCALE: NONE

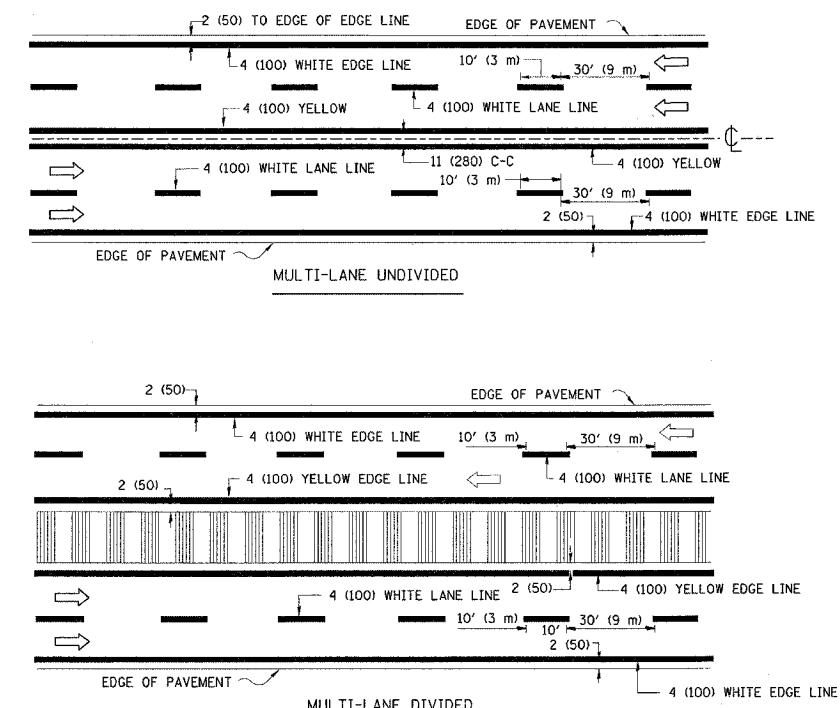
DATE: 4/25/2007

DRAWN BY CADD

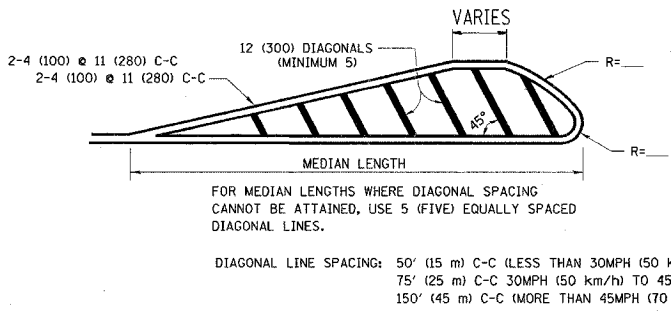
CHECKED BY

TC-13

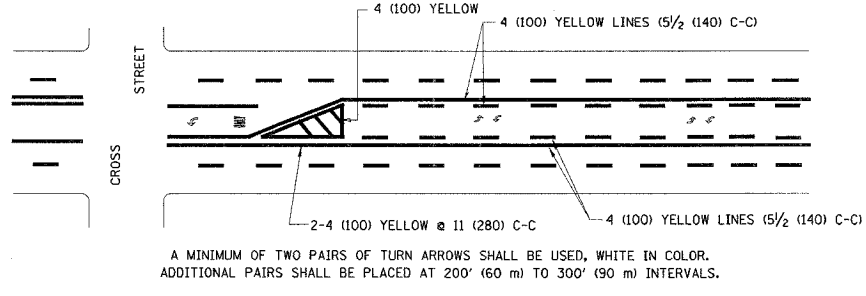
REVISION DATE: 01/06/00



TYPICAL LANE AND EDGE LINE MARKING

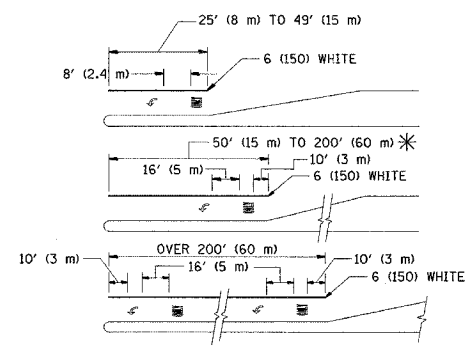


MEDIANS OVER 4' (1.2 m) WIDE



MEDIAN WITH TWO-WAY LEFT TURN LANE

TYPICAL PAINTED MEDIAN MARKING

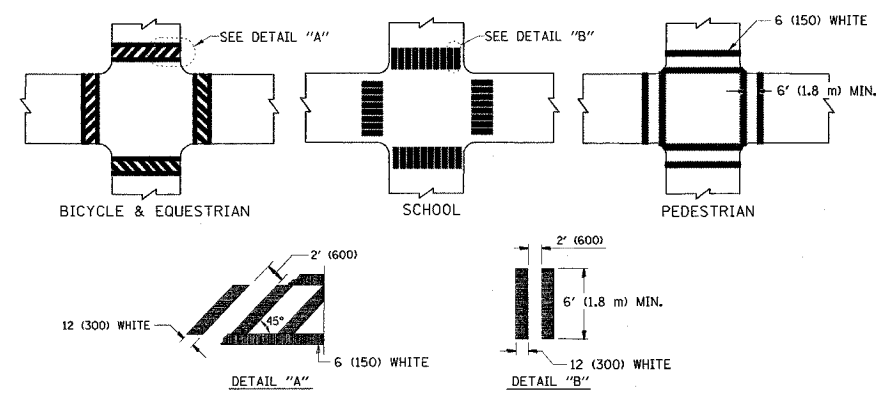


FULL SIZE LETTERS 8' (2.4 m) AND ARROWS SHALL BE USED.

* TURN LANES IN EXCESS OF 400' (120 m) IN LENGTH MAY HAVE AN ADDITIONAL SET OF ARROW - "ONLY" INSTALLED MIDWAY BETWEEN THE OTHER TWO SETS OF ARROW - "ONLY".

TYPICAL LEFT (OR RIGHT) TURN LANE

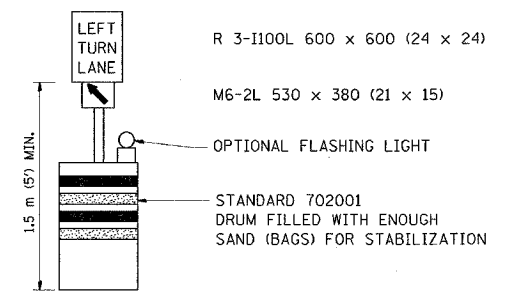
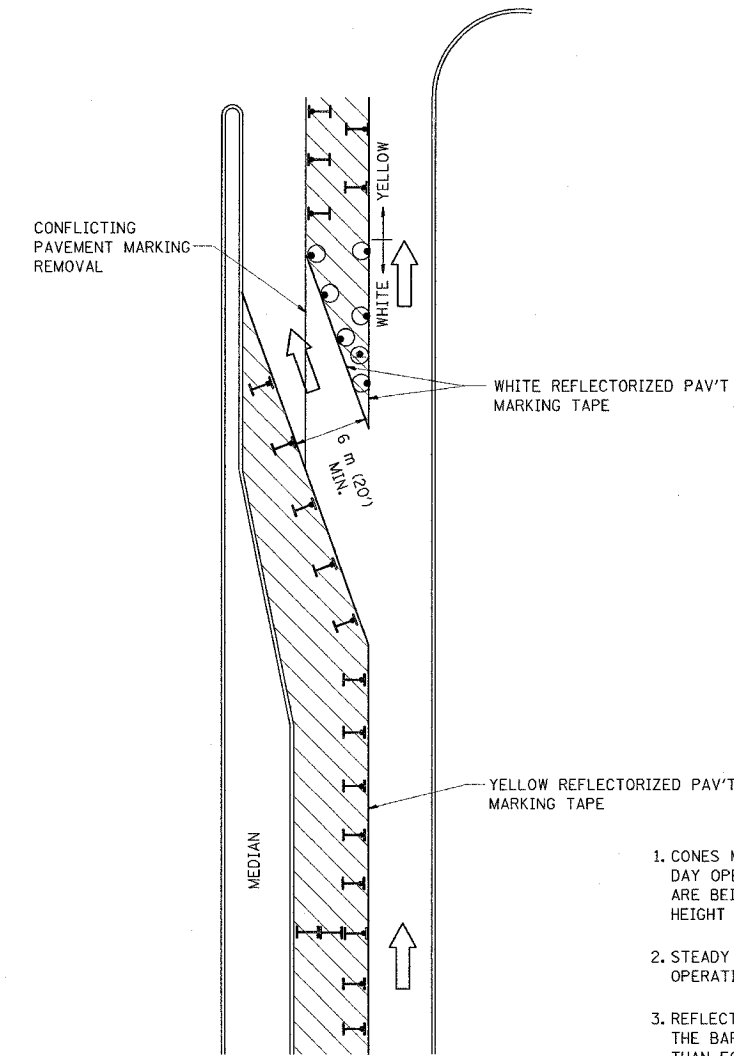
TYPICAL TURN LANE MARKING



TYPICAL CROSSWALK MARKING

PLOT DATE = 4/25/2007
FILE NAME = C:\Documents and Settings\curshujs\Desktop\60D10 - ILL 173.tbl3.dgn
PLOT SCALE = 80.0000 / 1 IN.
USER NAME = curshujs

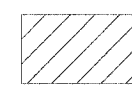
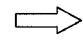




F.A.P. RTE. 1	SECTION	COUNTY	TOTAL SHEETS	SHEET NO.
303	136 RS-4	LAKE	25	19
STA.		TO STA.		
FED. ROAD DIST. NO. 1		ILLINOIS FED. AID PROJECT		
CONTRACT NO. 60D10				



GENERAL NOTES

1. CONES MAY BE SUBSTITUTED FOR BARRICADES OR DRUMS AT HALF THE SPACING DURING DAY OPERATIONS. CONES SHALL BE A MINIMUM OF 710 (28) IN HEIGHT. WHEN CONES ARE BEING USED, THE "LEFT TURN LANE" SIGN MAY BE SKID MOUNTED AT A MINIMUM HEIGHT OF 1.5 m (5').
2. STEADY BURNING LIGHTS WILL NOT BE REQUIRED ON BARRICADES OR DRUMS FOR DAY OPERATIONS. ALL LIGHTS SHALL BE MONODIRECTIONAL.
3. REFLECTORIZED TEMPORARY PAVEMENT MARKING TAPE SHALL BE PLACED THROUGHOUT THE BARRICADED AREA OF EACH TURN BAY WHERE THE CLOSURE TIME IS GREATER THAN FOURTEEN DAYS.
4. THIS APPLICATION ALSO APPLIES WHEN WORK IS BEING PERFORMED IN THE RIGHT LANE(S) AND THE RIGHT TURN BAY IS TO REMAIN OPEN. UNDER THIS CONDITION, "RIGHT TURN LANE" R3-100 600 x 600 (24 x 24) AND M6-2R 530 x 380 (21 x 15) SHALL BE USED.
5. THESE CONTROLS SHALL SUPPLEMENT MAINLINE TRAFFIC CONTROL FOR LANE CLOSURES.
6. LONGITUDINAL DIMENSIONS MAY BE ADJUSTED TO FIT FIELD CONDITIONS.
7. FORM BT 725 IS REQUIRED.
8. TRAFFIC CONTROL AND PROTECTION AT TURN BAYS (TO REMAIN OPEN TO TRAFFIC) SHALL BE INCLUDED IN THE COST SPECIFIED TRAFFIC CONTROL STANDARDS OR ITEMS.

LEGEND

-  WORK AREA
-  LANE OPEN TO TRAFFIC
-  TYPE I OR II BARRICADE WITH STEADY BURN LIGHT
-  DRUM WITH STEADY BURN LIGHT
-  DRUM WITH SIGN (WITH OPTIONAL FLASHING LIGHT) SEE DETAIL
-  TYPE I OR II CHECK BARRICADE WITH FLASHING LIGHT

All dimensions are in millimeters (Inches) unless otherwise shown.

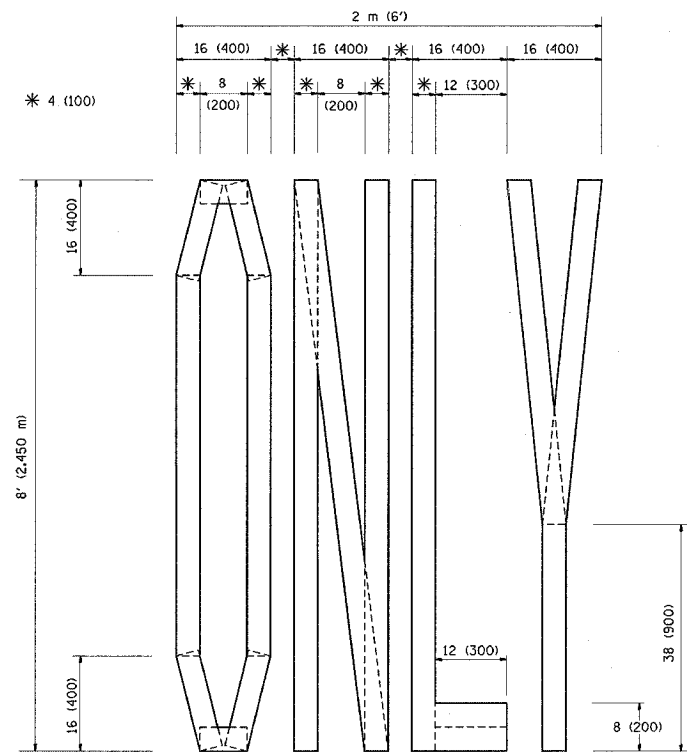
REVISIONS	
NAME	DATE
T. RAMMACHER	09/08/94
A. HOUSEH	11/07/95
A. HOUSEH	10/12/96
T. RAMMACHER	01/06/00

ILLINOIS DEPARTMENT OF TRANSPORTATION
TRAFFIC CONTROL AND PROTECTION AT TURN BAYS (TO REMAIN OPEN TO TRAFFIC)

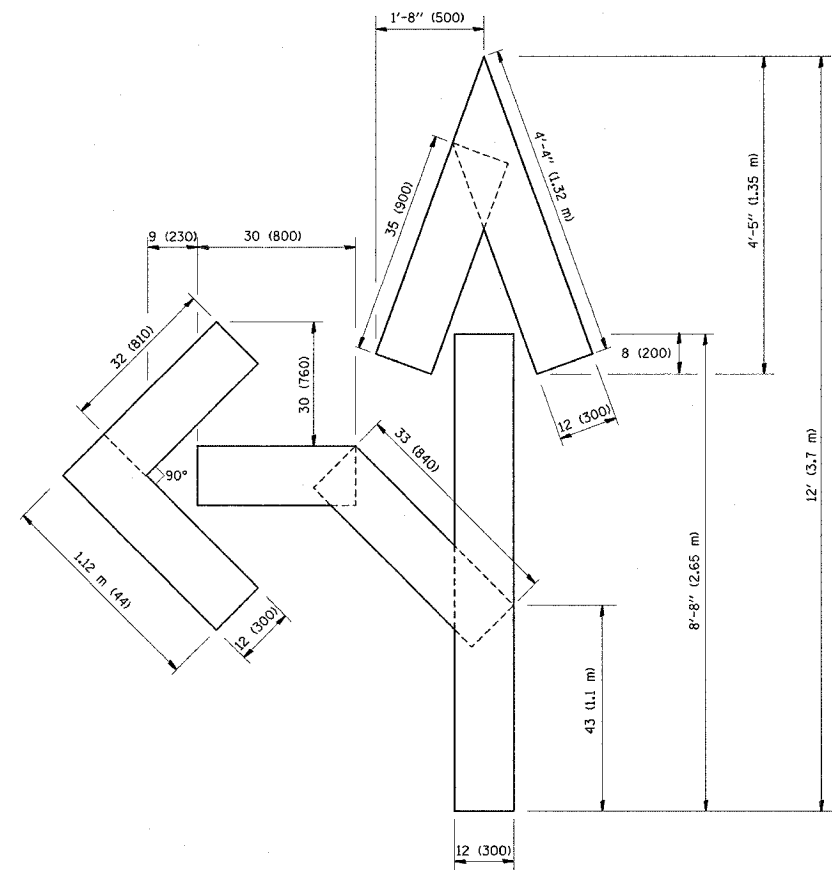
SCALE: NONE
 DATE: 4/25/2007
 DRAWN BY
 CHECKED BY LHA
 TC-14
 REVISION DATE: 01/06/00

PLOT DATE = 4/25/2007
 PLOT SCALE = 50.00000 / IN.
 USER NAME = qurashiga

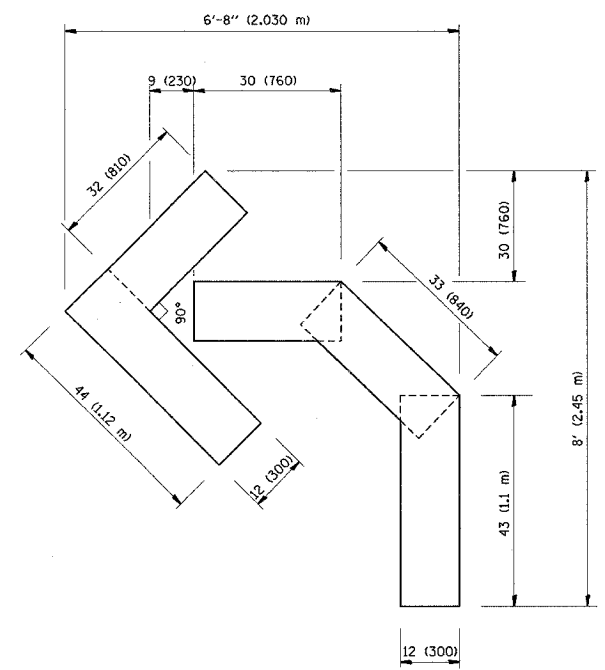
F.A.P. RTE.	SECTION	COUNTY	TOTAL SHEETS	SHEET NO.
303	136 RS-4	LAKE	25	20
STA.		TO STA.		
FED. ROAD DIST. NO. 1		ILLINOIS FED. AID PROJECT		
CONTRACT NO. 60D10				



QUANTITY
 4 (100) LINE = 64.1 ft. (19.7 m)
 21.1 sq. ft. (1.97 sq. m)



QUANTITY
 4 (100) LINE = 82.5 ft. (25.3 m)
 27.5 sq. ft. (2.53 sq. m)



QUANTITY
 4 (100) LINE = 45.5 ft. (13.9 m)
 15.2 sq. ft. (1.39 sq. m)

All dimensions are in millimeters (inches) unless otherwise shown.

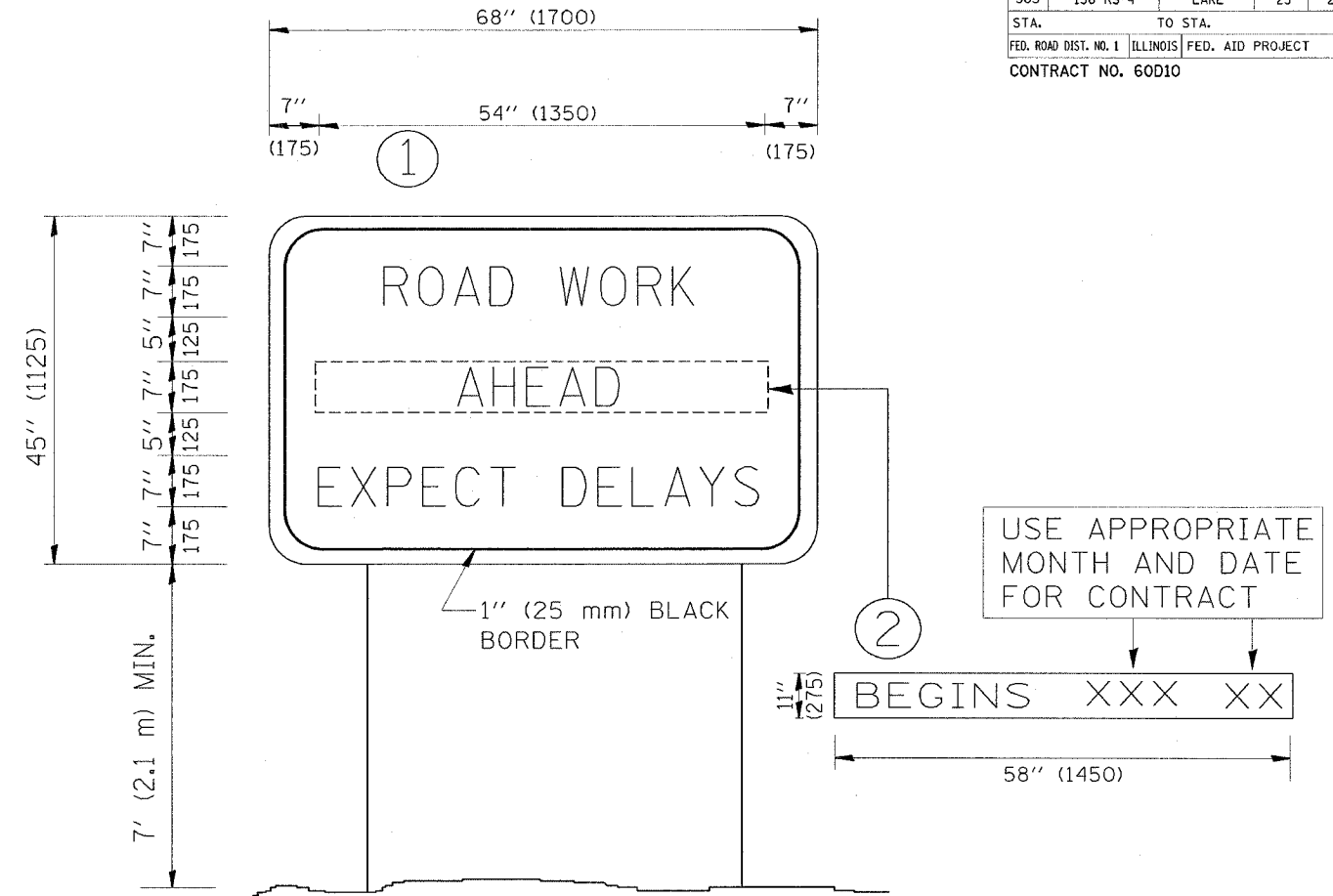
REVISIONS	
NAME	DATE
T. RAMMACHER	09/18/94
J. OBERLE	06/01/96
T. RAMMACHER	06/05/96
T. RAMMACHER	11/04/97
T. RAMMACHER	03/02/98
E. GOMEZ	08/28/00

ILLINOIS DEPARTMENT OF TRANSPORTATION
**PAVEMENT MARKING
 LETTERS AND SYMBOLS
 FOR TRAFFIC STAGING**

SCALE: NONE
 DATE: 4/25/2007
 DRAWN BY CADD
 CHECKED BY
 TC-16

PLOT DATE = 4/25/2007
 PLOT NAME = G:\Users\mccormack\My Documents\Projects\60D10\60D10.dwg
 PLOT USER = mccormack

F.A.P. RTE.	SECTION	COUNTY	TOTAL SHEETS	SHEET NO.
303	136 RS-4	LAKE	25	21
STA.		TO STA.		
FED. ROAD DIST. NO. 1	ILLINOIS	FED. AID PROJECT		
CONTRACT NO. 60D10				



NOTES:

1. USE BLACK LETTERING ON ORANGE BACKGROUND.
2. ERECT SIGNS IN ADVANCE OF THE LOCATION FOR THE "ROAD CONSTRUCTION AHEAD" SIGN AT LOCATIONS AS DIRECTED BY THE ENGINEER.
3. ERECT SIGN ① WITH INSTALLED PANEL ② ONE WEEK PRIOR TO THE START OF CONSTRUCTION.
4. REMOVE PANEL ② SOON AFTER THE START OF CONSTRUCTION.
5. SEE SPECIAL PROVISION FOR "TEMPORARY INFORMATION SIGNING" FOR ADDITIONAL INFORMATION.
6. ONE SIGN ASSEMBLY EQUALS 25.70 SQ. FT. (2.3 SQ. M.)
7. SHALL BE PAID FOR AS TEMPORARY INFORMATION SIGNING.

ALL DIMENSIONS ARE IN INCHES (MILLIMETERS) UNLESS OTHERWISE SHOWN.

REVISIONS	
NAME	DATE
R. MIRS	9-15-97
R. MIRS	12-11-97
T. RAMMACHER	2-2-99
C. JUCIUS	1-31-07

ILLINOIS DEPARTMENT OF TRANSPORTATION
**ARTERIAL ROAD
 INFORMATION SIGN**

SCALE:
 DATE: 4/25/2007

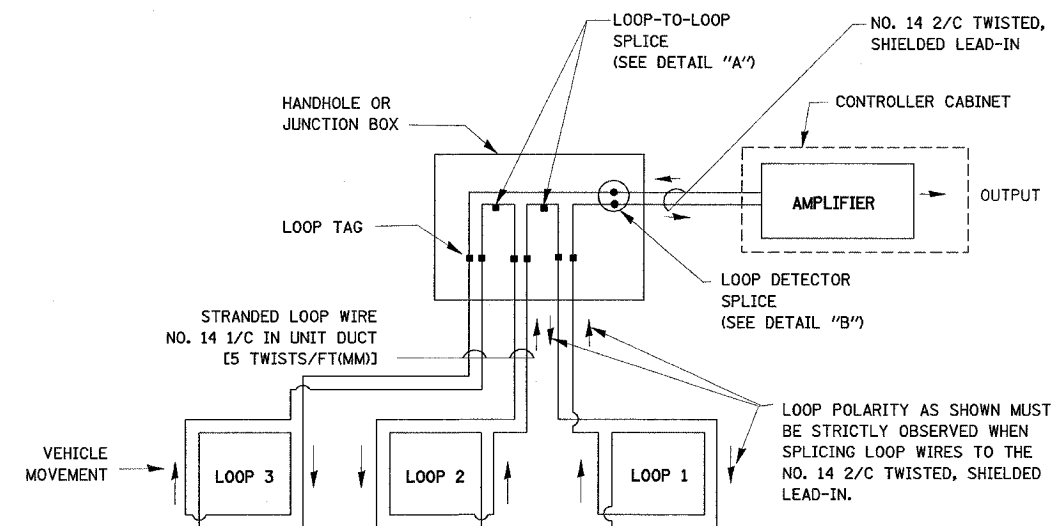
DRAWN BY DESIGN
 CHECKED BY

TC22
 REVISION DATE: 01/31/07

F.A.P. RTE.	SECTION	COUNTY	TOTAL SHEETS	SHEET NO.
303	136 RS-4	LAKE	25	22
STA.		TO STA.		
FED. ROAD DIST. NO. 1		ILLINOIS	FED. AID PROJECT	
CONTRACT NO. 60D10				

LOOP DETECTOR NOTES

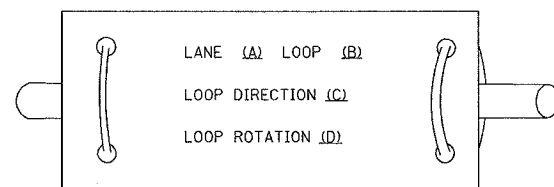
- EACH PAIR OF LOOP WIRES SHALL BE PLACED IN A SEPARATE UNIT DUCT FROM THE EDGE OF PAVEMENT TO THE HANDHOLE. SPACING BETWEEN THE HOLES DRILLED IN THE PAVEMENT SHALL NOT BE LESS THAN 6" (150 mm). UNIT DUCT SHALL BE INCLUDED IN THE COST OF THE LOOP WIRE.
- THE NUMBER OF LOOP TURNS SHALL BE AS RECOMMENDED BY THE AMPLIFIER MANUFACTURER. ALL ADJACENT SIDES OF THE LOOPS SHALL BE INSTALLED IN SUCH A WAY THAT THE CURRENT FLOW IS IN THE SAME DIRECTION TO REINFORCE ITS MAGNETIC FIELDS FOR SMALL VEHICLE DETECTION.
- EACH LOOP LEAD-IN SHALL BE IDENTIFIED AND PERMANENTLY TAGGED IN THE HANDHOLE. EACH LEAD-IN CABLE TAG SHALL INDICATE THE LOCATION OF THE LOOP, LOOP ROTATION (CLOCKWISE/COUNTERCLOCKWISE), LOOP LEAD-IN DIRECTION (IN OR OUT), LOOP CABLE NUMBER AND LOCATION IN CABINET, AND NUMBER OF TURNS IN THE DETECTOR LOOPS IN WATER PROOF INK AS INDICATED ON THE DISTRICT 1 STANDARD TRAFFIC SIGNAL DESIGN DETAIL. THE CONTRACTOR SHALL MARK LOOP LOCATIONS ON RECORD DRAWINGS AND PRESENT TO THE ENGINEER AFTER FINAL INSPECTION. LOOPS SHALL BE MARKED BY LANE AND LOOP NUMBER. SEE DETAIL BELOW.
- ALL LOOP CABLE SHALL BE FASTENED WITH PLASTIC TIE WRAP TO THE HANDHOLE HOOKS.
- IN ASPHALT PAVEMENT, LOOPS SHOULD BE PLACED IN THE BINDER AND DIVEHOLES MARKED AT THE CURB WITH A SAW-CUT. THE SAW-CUT SHALL BE CUT IN ACCORDANCE WITH LOCAL AND E.P.A. DUST CONTROL REQUIREMENTS. DETECTOR LOOP(S) SHALL NOT BE INSTALLED IN WET CONDITIONS AND THE SAW-CUTS MUST BE FREE OF DEBRIS AND RESIDUE SUCH AS DUST AND WATER WHICH IS TO BE ACHIEVED BY THE USE OF COMPRESSED AIR, WIRE BRUSHING AND HEAT DRYING ACCORDING TO SEALANT MANUFACTURER REQUIREMENTS. THE DETECTOR WIRE SHALL BE HELD IN PLACE BY THE USE OF FORM WEDGES. WEDGES SHALL BE SPACED NO MORE THAN 18" (450 mm) APART.
- LOOP SPLICES SHALL BE SOLDERED USING A SOLDERING IRON. BLOW TORCHES OR OTHER DEVICES WHICH OXIDIZE COPPER CABLE SHALL NOT BE ALLOWED FOR SOLDERING OPERATIONS. SEE DETAIL BELOW RIGHT.
- PERFORMED DETECTOR LOOPS SHALL BE USED, AS SHOWN ON THE PLANS, WHERE NEW CONCRETE PAVEMENT IS PROPOSED. THE INSTALLATION OF PREFORMED LOOPS SHALL BE IN ACCORDANCE WITH THE DISTRICT 1 SPECIFICATIONS OR AS DIRECTED BY THE ENGINEER.



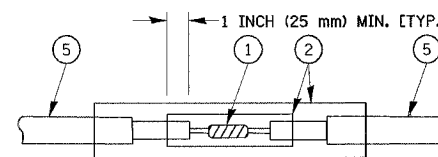
DETECTOR LOOP WIRING SCHEMATIC

- LOOPS SHALL BE SPLICED IN SERIES.
- SAW-CUTS SHALL BE A MINIMUM WIDTH OF 5/16" (8 mm).
- SAW-CUT DEPTHS SHALL BE 3" (75 mm). IF IN CONCRETE, THE SAW-CUT DEPTH SHALL BE TO THE TOP OF THE REINFORCEMENT.
- LOOP CORNERS SHALL BE DRILLED WITH A 2" (50 mm) DIAMETER CORE.

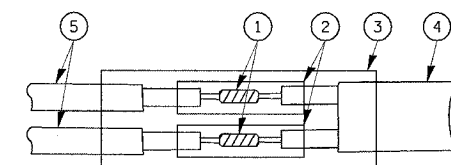
LOOP LEAD-IN CABLE TAG



- LANE 1 IS THE LANE CLOSEST TO THE CENTERLINE OF THE ROADWAY
- LOOP #1 IS THE LOOP IN THE LANE CLOSEST TO THE INTERSECTION.
- LABEL LOOP CABLE "IN" OR LOOP CABLE "OUT".
- LABEL LOOP CABLE CLOCKWISE OR LOOP CABLE COUNTERCLOCKWISE.



DETAIL "A"
LOOP-TO-LOOP SPLICE



DETAIL "B"
LOOP-TO-CONTROLLER SPLICE

LOOP DETECTOR SPLICE

- WESTERN UNION SPLICE SOLDERED WITH ROSIN CORE FLUX. ALL EXPOSED SURFACES OF THE SOLDER SHALL BE SMOOTH.
- WCSMW 30/100 HEAT SHRINK TUBE, MINIMUM LENGTH 3" (75 mm), UNDERWATER GRADE.
- WCS 200/750 HEAT SHRINK TUBE, MINIMUM LENGTH 6" (150 mm), UNDERWATER GRADE.
- NO. 14 2/C TWISTED, SHIELDED CABLE.
- LOOP CONDUCTOR WITH FLEXIBLE PLASTIC TUBE.

REVISIONS	
NAME	DATE
CADD	5/30/00
ADD NOTE NO. 8	11/12/01
BUREAU OF TRAFFIC	1-01-02

ILLINOIS DEPARTMENT OF TRANSPORTATION
DISTRICT ONE
STANDARD TRAFFIC SIGNAL
DESIGN DETAILS

SCALE: NONE

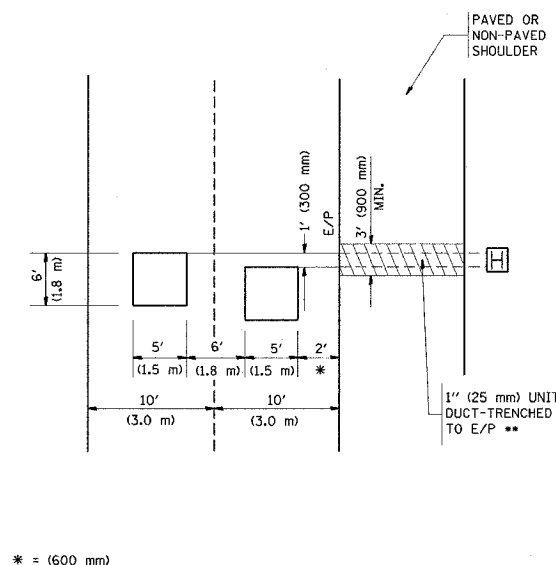
DRAWN BY: RWP
DESIGNED BY: DAD
CHECKED BY: DAZ
SHEET 1 OF 4

TS05

F.A.P. RTE.	SECTION	COUNTY	TOTAL SHEETS	SHEET NO.
303	136 RS-4	LAKE	25	23
STA.		TO STA.		
FED. ROAD DIST. NO. 1		ILLINOIS FED. AID PROJECT		
CONTRACT NO. 60D10				

LOOPS NEXT TO SHOULDERS

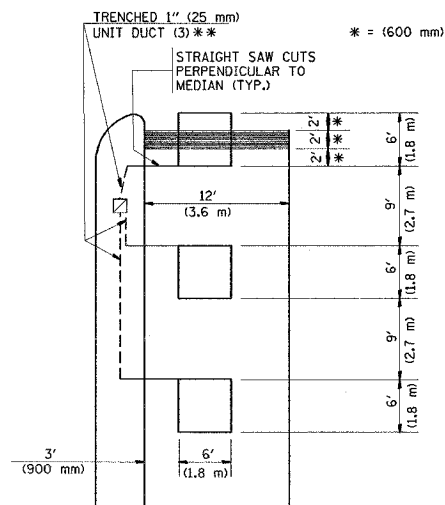
PROVIDE A PAVEMENT REPLACEMENT NOTE WHICH SHOULD EQUAL 3' (900 mm) X WIDTH OF PAVED SHOULDER.



** UNIT DUCT IS TO BE SHOWN ON PLAN SHEETS BUT SHALL NOT BE INCLUDED IN THE PAY ITEMS.

LEFT TURN LANES WITH MEDIANS VOLUME DENSITY ("FAR OUT" DETECTION) ON SAME APPROACH (PROTECTED / PERMITTED LEFT TURN PHASING)

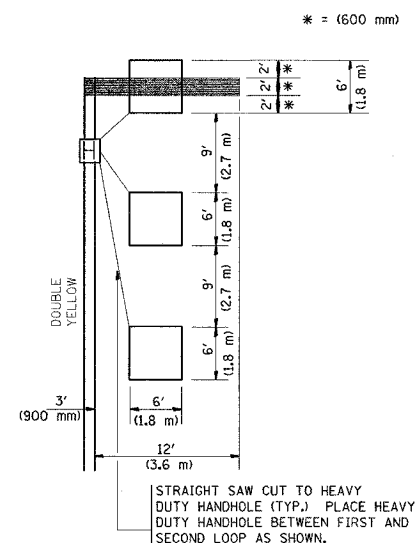
HANDHOLE LOCATION MAY VARY DEPENDING ON GEOMETRICS AND DESIGN OF TRAFFIC SIGNALS. HEAVY-DUTY HANDHOLES TO BE USED WHEN THE MEDIAN IS MOUNTABLE. REFER TO STANDARD 814001 TO ENSURE THAT HANDHOLE FITS IN MEDIAN.



** UNIT DUCT IS TO BE SHOWN ON PLAN SHEETS BUT SHALL NOT BE INCLUDED IN THE PAY ITEMS.

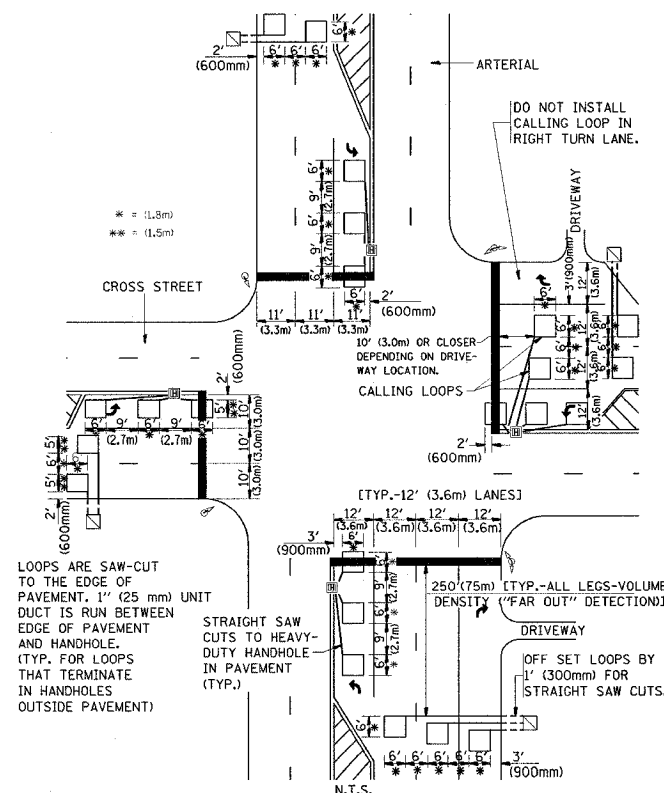
NOTE: DUAL LEFT TURNS NOT SHOWN REFER TO PLAN SHEET FOR DETECTOR LOOP REPLACEMENT

LEFT TURN LANES WITHOUT MEDIANS VOLUME DENSITY ("FAR OUT" DETECTION) ON SAME APPROACH (PROTECTED / PERMITTED LEFT TURN PHASING)



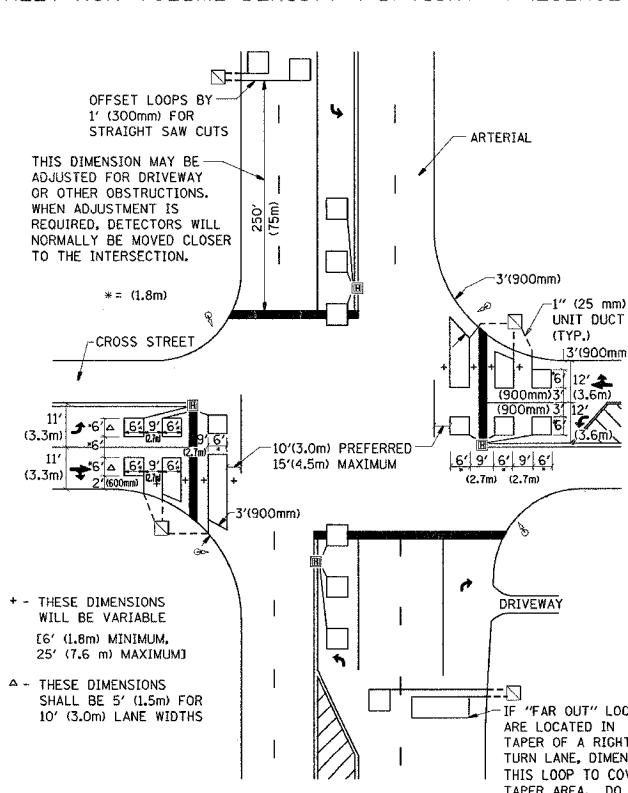
NOTE: DUAL LEFT TURNS NOT SHOWN REFER TO PLAN SHEET FOR DETECTOR LOOP REPLACEMENT

ARTERIAL-VOLUME DENSITY ("FAR OUT" DETECTION) CROSS STREET-VOLUME DENSITY ("FAR OUT" DETECTION)



DETAIL 1
N.T.S.

ARTERIAL-VOLUME DENSITY ("FAR OUT" DETECTION) CROSS STREET-NON VOLUME DENSITY ("UPTIGHT" PRESENCE DETECTION)



DETAIL 2
N.T.S.

NOTES:

VEHICLES LOOP DETECTORS

- * ALL LEAD IN CABLE SHALL BE TWO CONDUCTOR NO. 14 TWISTED, SHIELDED.
- * EACH DETECTOR LOOP SHALL HAVE ITS OWN SAW CUT FROM THE LOOP TO THE EDGE OF PAVEMENT OR TO A HANDHOLE IN THE PAVEMENT.
- * EACH DETECTOR LOOP SHALL HAVE ITS OWN ONE INCH (25 mm) UNIT DUCT BETWEEN THE EDGE OF PAVEMENT AND THE FIRST HANDHOLE OR JUNCTION BOX. EACH UNIT DUCT RUN SHALL BE SHOWN ON THE PLANS BY THE DESIGNER, BUT SHALL NOT BE PAID FOR SEPARATELY. THIS ITEM IS INCIDENTAL TO THE PAY ITEM FOR DETECTOR LOOPS.
- * ONE DIMENSION OF ALL DETECTOR LOOPS SHALL BE SIX FEET (1.8 m)
- * EACH LANE OF NON-LOCKING, PRESENCE DETECTION AND EACH LANE OF A DOUBLE LEFT TURN LANE REQUIRES A SEPARATE INDUCTIVE LOOP DETECTOR AND LEAD IN CABLE.
- * WHEN NON-LOCKING, PRESENCE DETECTION IS USED, MORE THAN ONE LOOP PER LANE IS REQUIRED BEHIND THE STOP BAR (i.e. 1-1/2, 1-3/4, 2).
- * WHEN SYSTEM LOOPS ARE REQUIRED ON AN APPROACH OF AN INTERSECTION, THE LOOPS USED FOR VOLUME DENSITY AND INTERSECTION TIMING SHALL ALSO BE USED AS SYSTEM DETECTORS. EACH ONE OF THESE TYPE OF LOOPS REQUIRES A SEPARATE TWO CONDUCTOR NO. 14 TWISTED SHIELDED CABLE AND A SEPARATE INDUCTIVE LOOP DETECTOR WHEN NEW CONTROLLERS ARE UTILIZED. THE DESIGNER SHALL LABEL THESE TYPES OF LOOPS AS "INTERSECTION AND SAMPLING (SYSTEM) DETECTORS" ON THE SIGNAL LAYOUT, THE INTERCONNECT PLAN AND THE SYSTEM CABLE PLAN. WHEN AN EXISTING CONTROLLER IS UTILIZED FOR THIS TYPE OF DETECTION, THE PAY ITEM "INDUCTIVE LOOP DETECTOR WITH SYSTEM OUTPUT" SHOULD BE USED.

PLACEMENT OF DETECTORS

THE FOLLOWING FIGURES REPRESENT THE MOST COMMON DETECTOR LOOP LOCATIONS AND SIZES. ADJUSTMENTS WILL BE NECESSARY FOR SPECIFIC GEOMETRIC CONSIDERATIONS.

LOCATIONS AND DEMENSIONS OF DETECTOR LOOPS ARE REQUIRED ON ALL SIGNAL LAYOUT PLAN SHEETS.

"FAR OUT" DETECTION REFERS TO LOCKING, PRESENCE TYPE DETECTION LOCATED IN THRU LANES, RIGHT TURN LANES, AND RIGHT TURN LANE TAPER AREAS (IF APPLICABLE), USUALLY 250' (75 m) IN ADVANCE OF STOP BARS. "UPTIGHT" DETECTION REFERS TO NON-LOCKING PRESENCE TYPE DETECTION LOCATED IN ALL LANES AND 10'-15' (3.0 m-4.5 m) BEHIND THE CROSSING STREET'S EDGE OF PAVEMENT EXTENDED.

NOTE:

ALL DETAILS AND NOTES SHOWN ARE FROM THE I.D.O.T. DISTRICT 1 TRAFFIC SIGNAL DESIGN GUIDELINES DATED JANUARY 1995

THIS DRAWING HAS BEEN PREPARED TO ASSIST THE RESIDENT ENGINEER FOR ALL ROADWAY RESURFACING OR S.M.A.R.T. PROJECTS WHERE THE DIMENSIONS ARE NOT SHOWN ON THE PLANS AND THE FINAL LOCATIONS FOR CROSSWALKS OR STOP BARS ARE NOT DETERMINED.

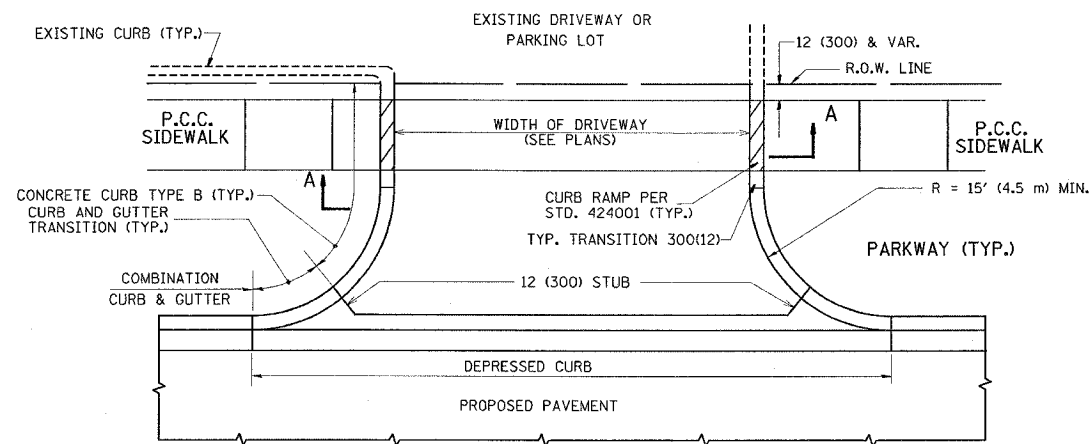
REVISIONS	
NAME	DATE

ILLINOIS DEPARTMENT OF TRANSPORTATION
DISTRICT 1
DETECTOR LOOP
INSTALLATION DETAILS
FOR ROADWAY RESURFACING

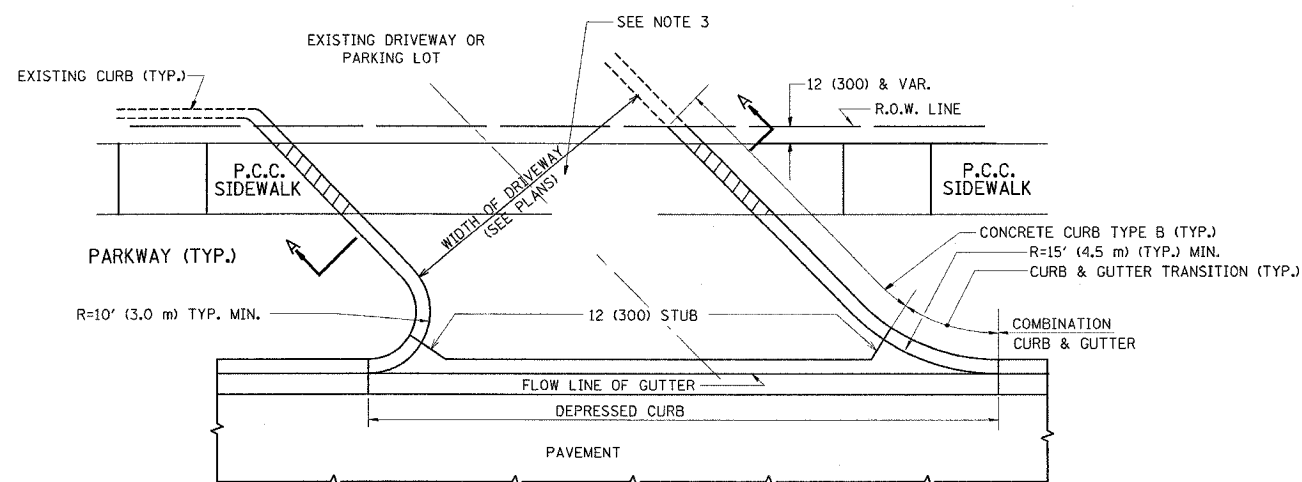
SCALE: NONE
DATE: 4/25/2007

DESIGNED BY
DRAWN BY CADD
CHECKED BY R.K.F.
TS07
REVISION DATE:

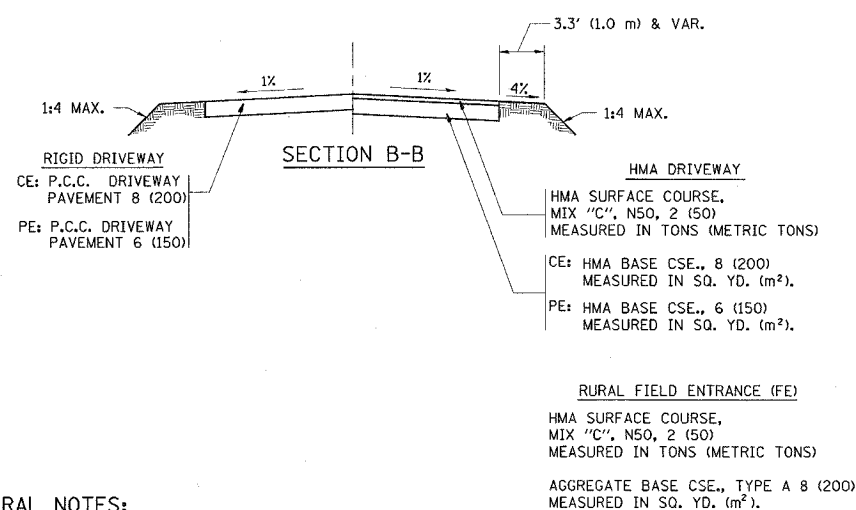
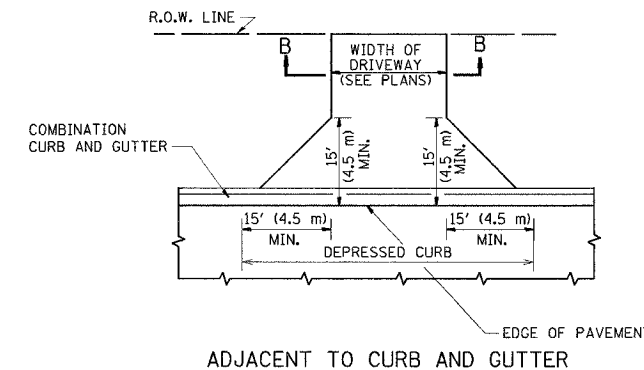
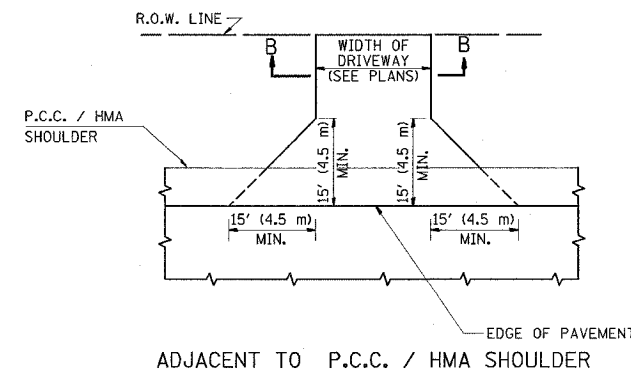
F.A.P. RTE.	SECTION	COUNTY	TOTAL SHEETS	SHEET NO.
303	136 RS-4	LAKE	25	24
STA.		TO STA.		
FED. ROAD DIST. NO. 1 ILLINOIS FED. AID PROJECT				



WITH CONCRETE CURB, TYPE B



WITH CONCRETE CURB, TYPE B



GENERAL NOTES:

DRIVEWAY SLOPES, LOCATIONS, & GEOMETRIC LAYOUT SHALL BE IN ACCORDANCE WITH THE LATEST EDITION OF THE "HANDBOOK FOR POLICY ON PERMITS FOR ACCESS DRIVEWAYS TO STATE HIGHWAYS". FOR FURTHER LAYOUT REQUIREMENTS, REFER TO ILLUSTRATIONS IN THE PERMIT HANDBOOK. DRIVEWAYS SHALL BE REPLACED IN KIND, UNLESS OTHERWISE NOTED ON THE PLANS.

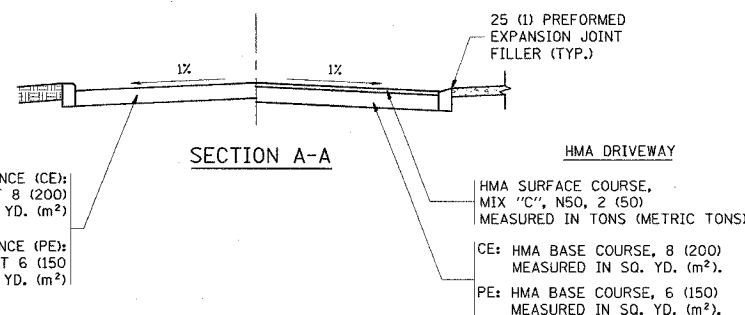
COMMERCIAL DRIVEWAYS SHALL BE CONSTRUCTED WITH CONCRETE CURB, TYPE B RETURNS EXCEPT WHEN THE SIDEWALK EDGE IS 4 FEET (1.2 METERS) OR LESS FROM THE BACK OF CURB, CONSTRUCT A FLARE DRIVEWAY WITHOUT CURB.

THE RESIDENT ENGINEER SHALL CONTACT THE TRAFFIC PERMIT OFFICE AT 847/ 705-4131 FOR ANY QUESTIONS ON DRIVEWAYS SHOWN IN THE PLANS; SPECIFICALLY IN REFERENCE TO ADDITIONAL AND/OR RELOCATION/REMOVAL OF A DRIVEWAY.

COMBINATION CONCRETE CURB & GUTTER SHALL BE MEASURED STRAIGHT ACROSS THE DRIVEWAY. NO ADDITIONAL COMPENSATION WILL BE ALLOWED FOR THE CURB & GUTTER TRANSITION.

1 (25) PREFORMED EXPANSION JOINT FILLER WILL NOT BE PAID SEPARATELY, BUT SHALL BE CONSIDERED INCLUDED IN THE COST OF THE P.C.C. DRIVEWAY PAVEMENT OR P.C.C. SIDEWALK.

WHEN THE P.C.C. SIDEWALK EXTENDS THROUGH THE DRIVEWAY, THE THICKNESS OF THE SIDEWALK IN THE DRIVEWAY AREA SHALL BE THE SAME AS THE DRIVEWAY THICKNESS. SIDEWALK WILL BE PAID FOR AS P.C.C. SIDEWALK OF THE THICKNESS SPECIFIED. SIDEWALK CROSS SLOPE THRU DRIVEWAY AREA TO BE A MAXIMUM OF 1:50.



ALL DIMENSIONS ARE IN INCHES (MILLIMETERS) UNLESS OTHERWISE NOTED

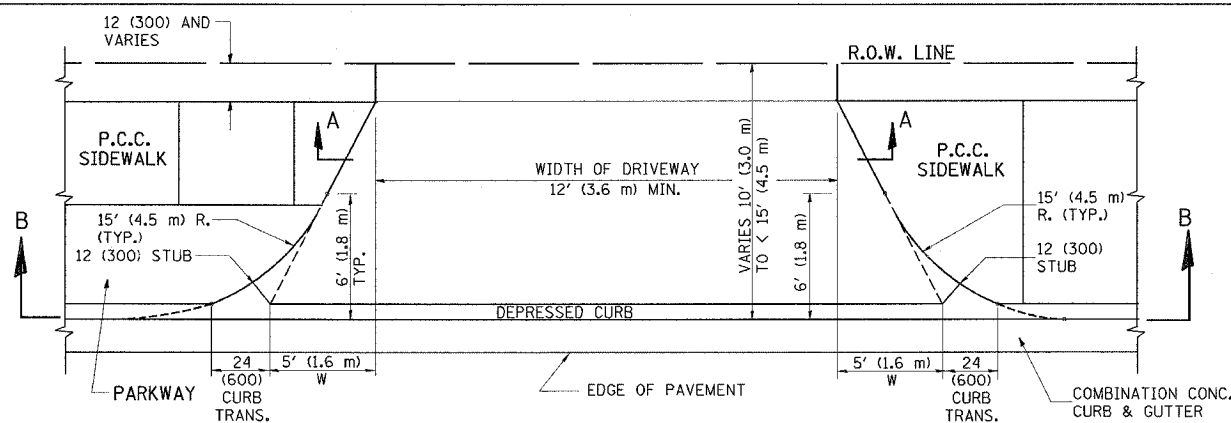
REVISIONS	
NAME	DATE
R. SHAH	11-04-95
J. POLLASTRINI	08-12-96
J. POLLASTRINI	12-14-96
A. ABBAS	03-21-97
T. HOLTZ	04-08-97
M. GOMEZ	04-06-01
P. LAFLEUR	04-15-03
R. BORO	01-01-07

ILLINOIS DEPARTMENT OF TRANSPORTATION
DRIVEWAY DETAILS
 DISTANCE BETWEEN R.O.W. AND FACE OF CURB & EDGE OF SHOULDER >= 15' (4.5 m)

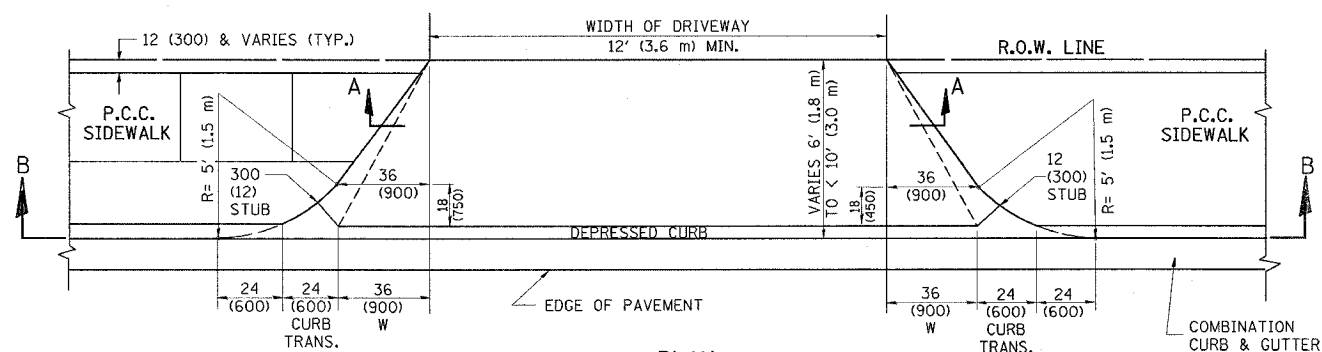
SCALE: VERT. NONE
 HORIZ.

DRAWN BY
 CHECKED BY

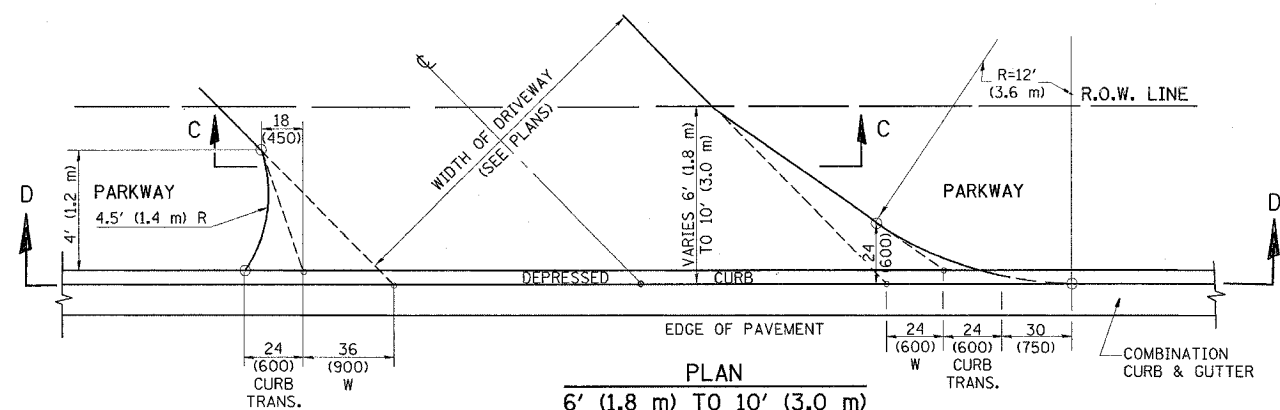
F.A.P. RTE.	SECTION	COUNTY	TOTAL SHEET NO.	SHEET NO.
303	136 RS-4	LAKE	25	25
STA.		TO STA.		
FED. ROAD DIST. NO. 1 ILLINOIS FED. AID PROJECT				



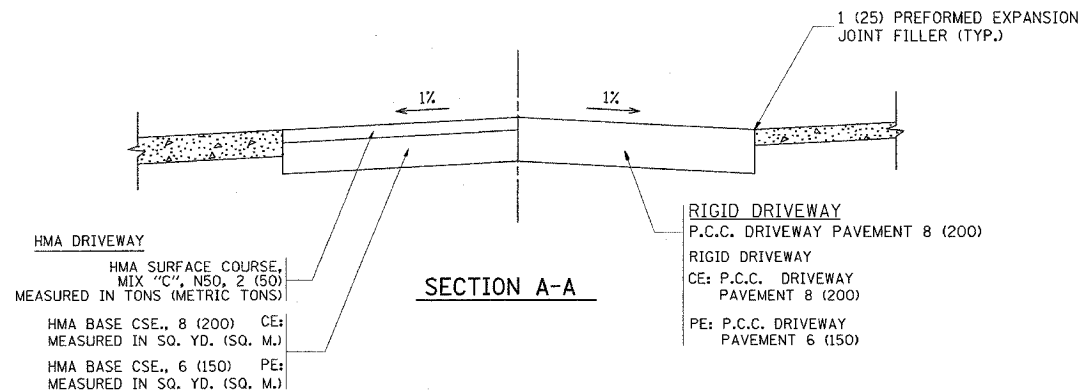
PLAN
10' (3.0 m) TO < 15' (4.5 m)



PLAN
6' (1.8 m) TO < 10' (3.0 m)

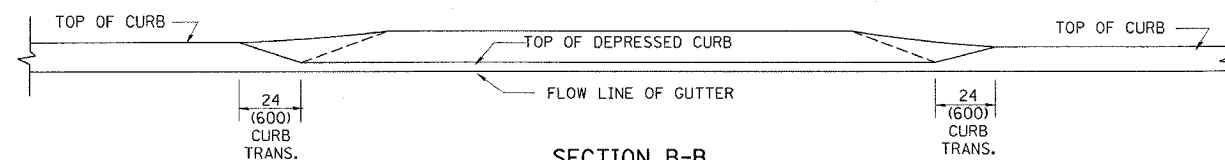


PLAN
6' (1.8 m) TO 10' (3.0 m)

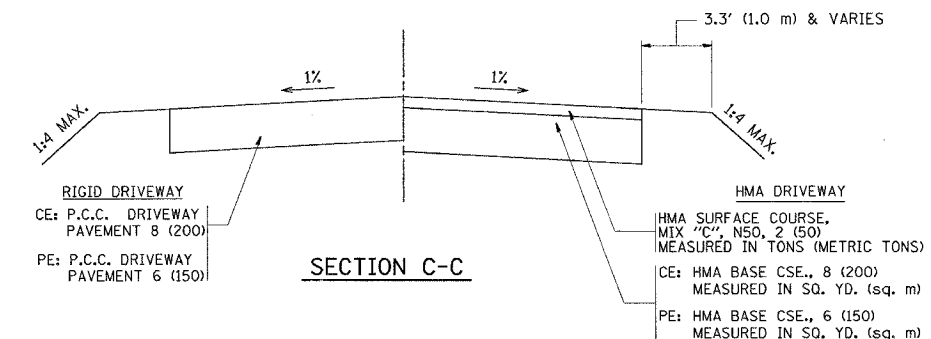


HMA DRIVEWAY
HMA SURFACE COURSE, MIX "C", N50, 2 (50) MEASURED IN TONS (METRIC TONS)
HMA BASE CSE., 8 (200) CE: MEASURED IN SQ. YD. (SQ. M.)
HMA BASE CSE., 6 (150) PE: MEASURED IN SQ. YD. (SQ. M.)

RIGID DRIVEWAY
P.C.C. DRIVEWAY PAVEMENT 8 (200)
RIGID DRIVEWAY
CE: P.C.C. DRIVEWAY PAVEMENT 8 (200)
PE: P.C.C. DRIVEWAY PAVEMENT 6 (150)

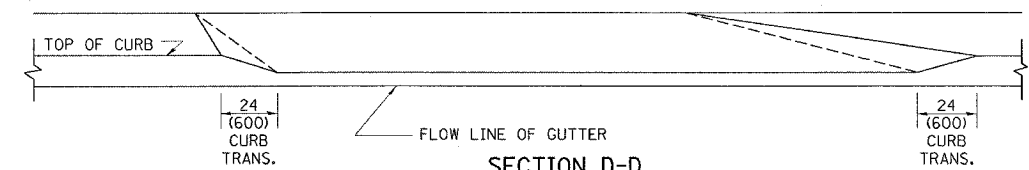


SECTION B-B



RIGID DRIVEWAY
CE: P.C.C. DRIVEWAY PAVEMENT 8 (200)
PE: P.C.C. DRIVEWAY PAVEMENT 6 (150)

HMA DRIVEWAY
HMA SURFACE COURSE, MIX "C", N50, 2 (50) MEASURED IN TONS (METRIC TONS)
CE: HMA BASE CSE., 8 (200) MEASURED IN SQ. YD. (SQ. M.)
PE: HMA BASE CSE., 6 (150) MEASURED IN SQ. YD. (SQ. M.)



SECTION D-D

GENERAL NOTES

DRIVEWAY SLOPES, LOCATIONS, & GEOMETRIC LAYOUT SHALL BE IN ACCORDANCE WITH THE LATEST EDITION OF THE "HANDBOOK FOR POLICY ON PERMITS FOR ACCESS DRIVEWAYS TO STATE HIGHWAYS". FOR FURTHER LAYOUT REQUIREMENTS, REFER TO ILLUSTRATION 10 IN THE PERMIT HANDBOOK. WHERE SIDEWALKS EXIST, DRIVEWAYS SHALL BE REPLACED WITH RIGID PAVEMENT. WHERE NO SIDEWALKS EXIST, DRIVEWAYS SHALL BE REPLACED IN KIND. SIDEWALK CROSS SLOPE THRU DRIVEWAY AREA TO BE A MAXIMUM OF 1:50.

WHEN THE DISTANCE BETWEEN R.O.W. AND THE BACK OF CURB IS EQUAL TO OR LESS THAN 8' (2.4 m), THE P.C.C. SIDEWALK SHALL EXTEND TO THE BACK OF CURB.

THE RESIDENT ENGINEER SHALL CONTACT THE TRAFFIC PERMIT OFFICE AT 847/ 705-4131 FOR ANY QUESTIONS ON DRIVEWAYS SHOWN IN THE PLANS; SPECIFICALLY IN REFERENCE TO ADDITIONAL AND/OR RELOCATION/REMOVAL OF A DRIVEWAY.

COMBINATION CONCRETE CURB & GUTTER SHALL BE MEASURED STRAIGHT ACROSS THE DRIVEWAY. NO ADDITIONAL COMPENSATION WILL BE ALLOWED FOR THE CURB & GUTTER TRANSITION.

THE 1 (25) PREFORMED EXPANSION JOINT FILLER WILL NOT BE PAID SEPARATELY, BUT SHALL BE CONSIDERED INCLUDED IN THE COST OF THE P.C.C. DRIVEWAY PAVEMENT OR P.C.C. SIDEWALK.

"W" VARIES FROM 36 (900) TO 5' (1.5 m) PROPORTIONAL TO THE LENGTH (L), FROM 6' (1.8 m) TO 10' (3 m).

ALL DIMENSIONS ARE IN INCHES (MILLIMETERS) UNLESS OTHERWISE NOTED.

REVISIONS	
NAME	DATE
R. SHAH	11/06/95
J. POLLASTRINI	08/12/96
J. POLLASTRINI	12/14/96
A. ABBAS	03/21/97
T. HOLTZ	04/08/97
M. GOMEZ	04/06/03
P. LoFLEUR	04/15/03
R. BORO	01/01/07

ILLINOIS DEPARTMENT OF TRANSPORTATION
DRIVEWAY DETAILS
DISTANCE BETWEEN ROW AND FACE OF CURB < 15' (4.5 m)

SCALE: VERT. NONE
HORIZ. DRAWN BY
CHECKED BY

PLOT DATE = 4/25/2007
FILE NAME = C:\Documents and Settings\guresh\My Desktop\60D10 - ILL 173\60D2.dgn
PLOT SCALE = 5/8"=1'-0"
USER NAME = guresh