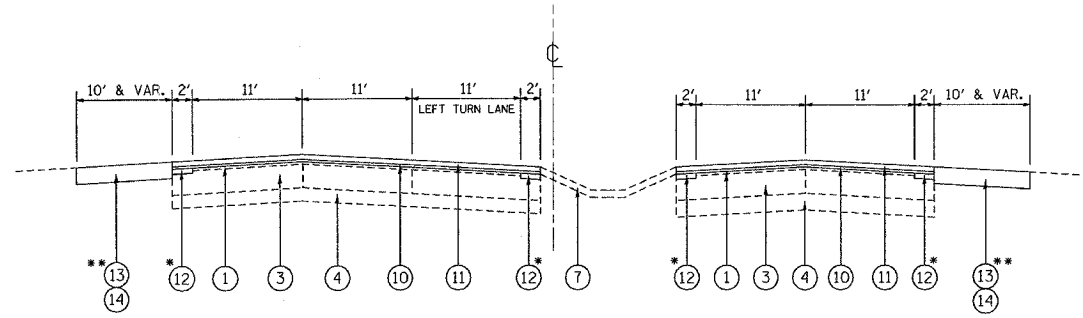


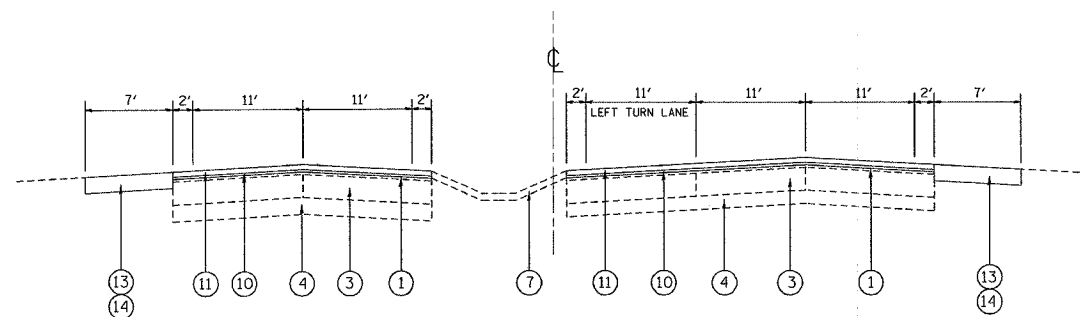
|                       |                |                  |              |           |
|-----------------------|----------------|------------------|--------------|-----------|
| F. A. P. NO.          | SECTION        | COUNTY           | TOTAL SHEETS | SHEET NO. |
| 846                   | (4,4R,&5) RS-7 | WILL             | 35           | 6         |
| STA. +                | TO STA. +      |                  |              |           |
| FED. ROAD DIST. NO. 1 | BILLINGS       | FED. AID PROJECT |              |           |

CONTRACT NO.: 62364



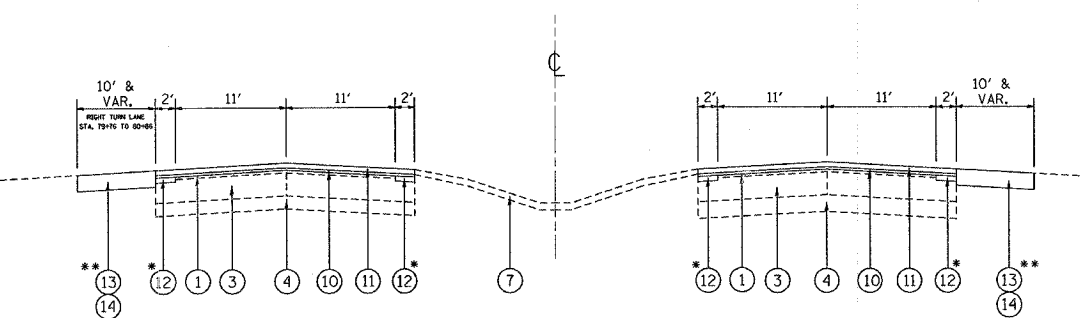
PROPOSED TYPICAL CROSS SECTION

STA. 9+77 TO STA. 14+06  
 STA. 117+34 TO STA. 119+60  
 STA. 141+46 TO STA. 144+92  
 STA. 193+20 TO STA. 196+98  
 STA. 197+59 TO STA. 201+24  
 STA. 202+84 TO STA. 205+63  
 STA. 206+30 TO STA. 209+85  
 STA. 211+15 TO STA. 214+07



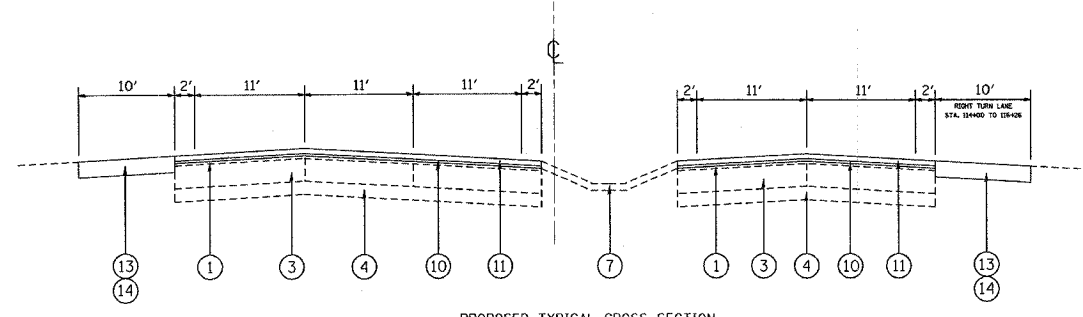
PROPOSED TYPICAL CROSS SECTION

STA. 190+72 TO STA. 192+20



PROPOSED TYPICAL CROSS SECTION

STA. 14+06 TO STA. 106+68  
 STA. 119+60 TO STA. 140+65  
 STA. 144+92 TO STA. 190+72  
 STA. 214+91 TO STA. 244+09  
 STA. 253+98 TO STA. 257+65



PROPOSED TYPICAL CROSS SECTION

STA. 106+68 TO STA. 116+26

**LEGEND:**

- ① EXISTING HOT-MIX ASPHALT SURFACE, 3"
- ② EXISTING HOT-MIX ASPHALT SHOULDER, 8"
- ③ EXISTING P.C.C. PAVEMENT, 10"
- ④ EXISTING STABILIZED SUB-BASE
- ⑤ EXISTING COMBINATION CONCRETE CURB AND GUTTER, TYPE B-6.12
- ⑥ EXISTING COMBINATION CONCRETE CURB AND GUTTER, TYPE M-2.12
- ⑦ EXISTING GRASS MEDIAN
- ⑧ EXISTING HOT-MIX ASPHALT MEDIAN
- ⑨ PROPOSED HOT-MIX ASPHALT SURFACE REMOVAL, 2 1/4"
- ⑩ PROPOSED POLYMERIZED LEVELING BINDER (MACHINE METHOD), SUPERPAVE, IL-4.75, 3/4"
- ⑪ PROPOSED HOT-MIX ASPHALT SURFACE COURSE, SUPERPAVE, MIX "D", N70, 1 1/2"
- ⑫ PROPOSED HOT-MIX ASPHALT BINDER COURSE, IL-19.0, N70, 5 3/4"
- ⑬ PROPOSED GRADING AND SHAPING SHOULDERS
- ⑭ PROPOSED AGGREGATE SHOULDERS, TYPE B

**NOTE:**

- \* PROP. HOT-MIX ASPHALT BINDER COURSE WILL BE ADDED FROM STA. 62+22 TO STA. 141+90 FOR SHOULDER STRIP REPAIR
- \*\* PROPOSED HOT-MIX ASPHALT SHOULDER RESURFACING FROM STA. 244+09 TO 261+20

| REVISIONS |      |
|-----------|------|
| NAME      | DATE |
|           |      |
|           |      |
|           |      |
|           |      |
|           |      |

ILLINOIS DEPARTMENT OF TRANSPORTATION  
 TYPICAL SECTION  
 F.A.P. 846/IL 53 (CHICAGO ST.)  
 MANHATTAN RD. TO OLD ELM RD.

SCALE: VERT. 1"=50'  
 HORIZ. 1"=50'  
 DATE 5/2/2007

DRAWN BY: P. STEED  
 CHECKED BY: