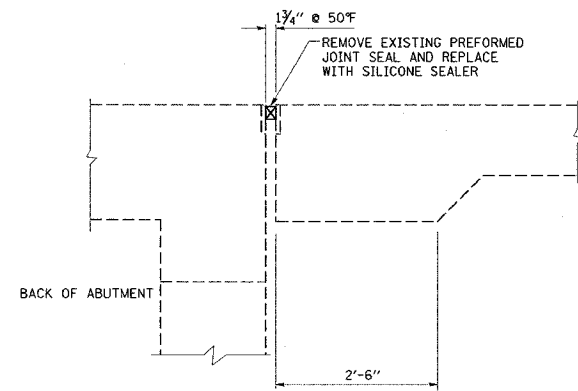


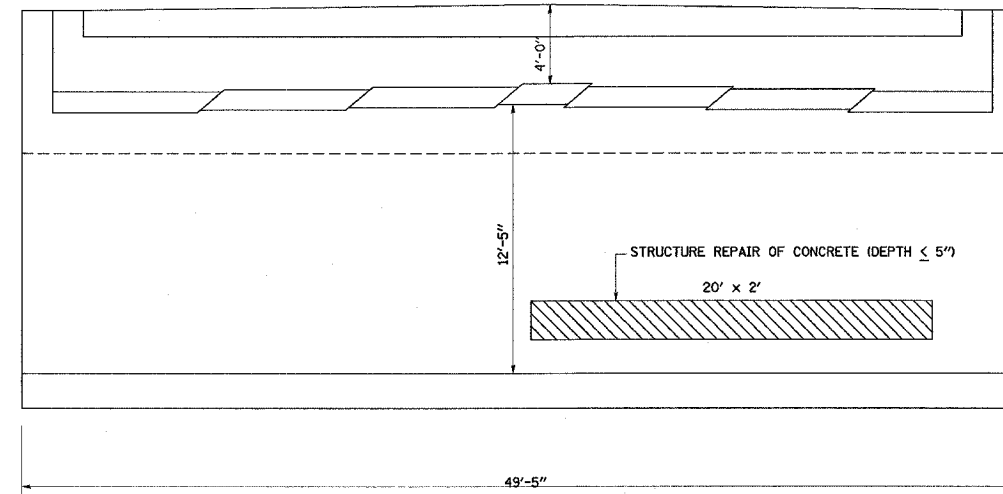
F.A. RTE.	SECTION	COUNTY	TOTAL SHEETS	SHEET NO.
4,4R & 5) RS-7	WILL		35	34
STA.	TO STA.			
FED. ROAD DIST. NO.	ILLINOIS	FED. AID PROJECT		

SHEET S2 OF S2

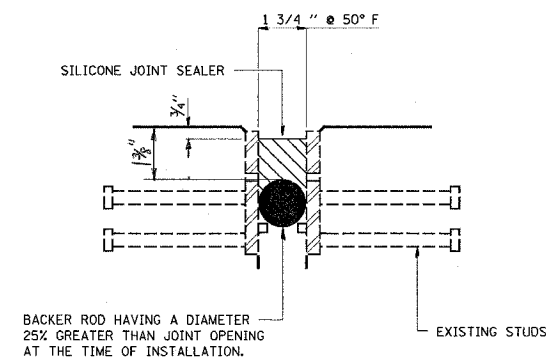
CONTRACT NO.62364
D-91-002-02



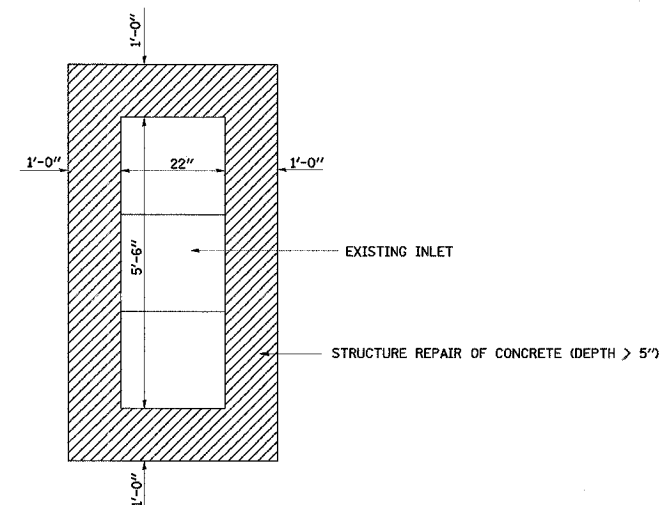
EXISTING TRANSVERSE JOINT
NORTH AND SOUTH ABUTMENTS



NORTH ABUTMENT



SILICONE JOINT SEAL TO REPLACE
2 1/2" PREFORMED JOINT SEAL



STRUCTURE REPAIR OF CONCRETE
AROUND DRAINAGE INLET
(4 LOCATIONS SEE SHEET S1 OF S2)

BILL OF MATERIALS

ITEM	UNIT	QUANTITY
SILICONE JOINT SEALER	FOOT	172
CONCRETE SEALER	SQ. FT.	7360
APPROACH SLAB REPAIR (PARTIAL DEPTH)	SQ. YD.	2
STRUCTURE REPAIR OF CONCRETE (DEPTH > 5")	SQ. FT.	75
STRUCTURE REPAIR OF CONCRETE (DEPTH <= 5")	SQ. FT.	40

LEGEND:

- STRUCTURE REPAIR OF CONCRETE (DEPTH <= 5")
- STRUCTURE REPAIR OF CONCRETE (DEPTH > 5")

REVISIONS	
NAME	DATE

ILLINOIS DEPARTMENT OF TRANSPORTATION

ILL 53 OVER
JACKSON CREEK
NORTH ABUTMENT AND DETAILS
S.N. 099-0086 SB AND
S.N. 099-0087 NB
SCALE: VERT. DRAWN BY: MVT
 HORIZ. DATE: MAY, 2007 CHECKED BY: RSS

PLOT DATE = 6/1/2007
FILE NAME = c:\p\projects\struct1\099-0086.dgn
PLOT SCALE = 1/8" = 1'-0"
USER NAME = tuncakosny