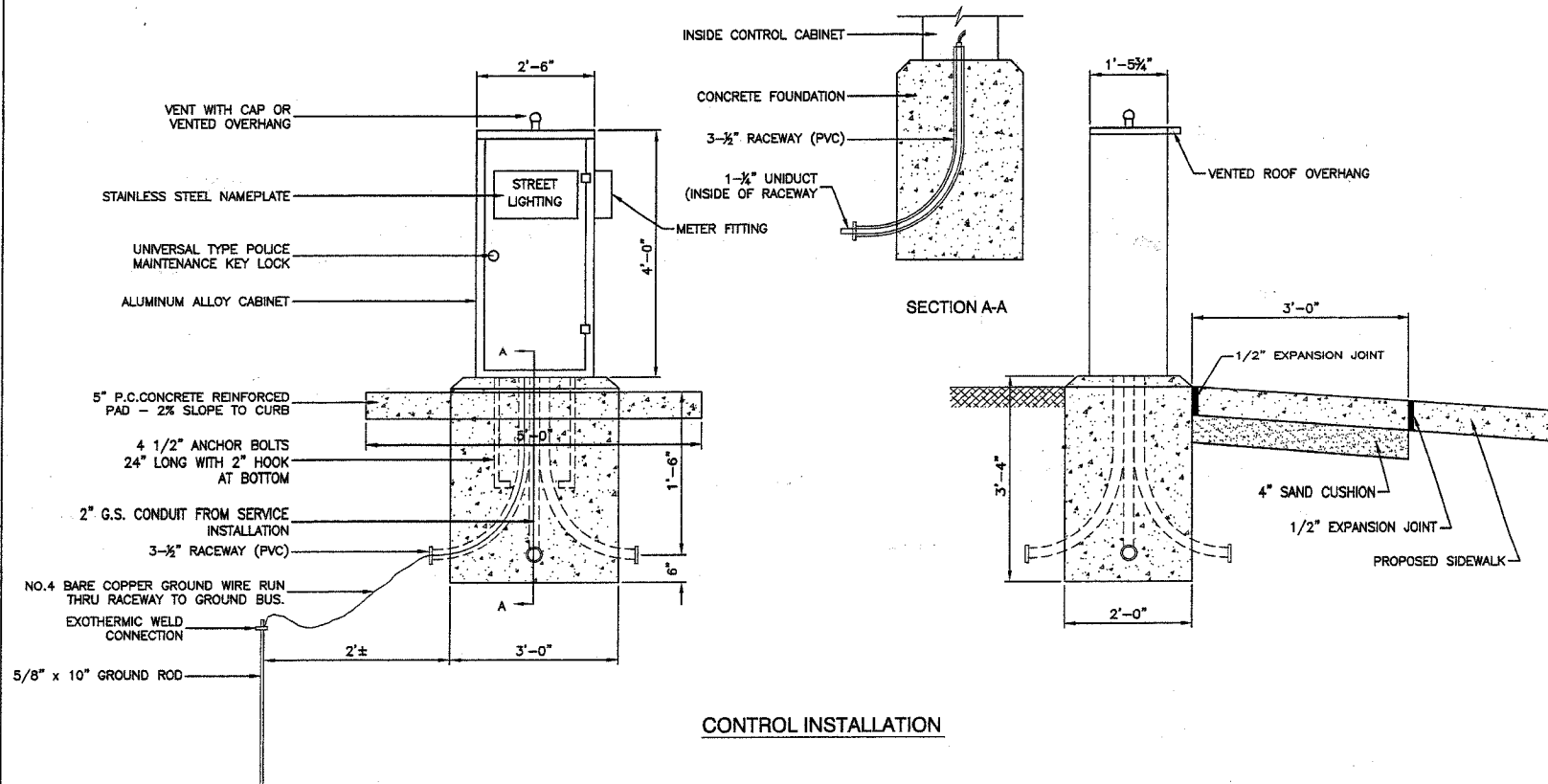
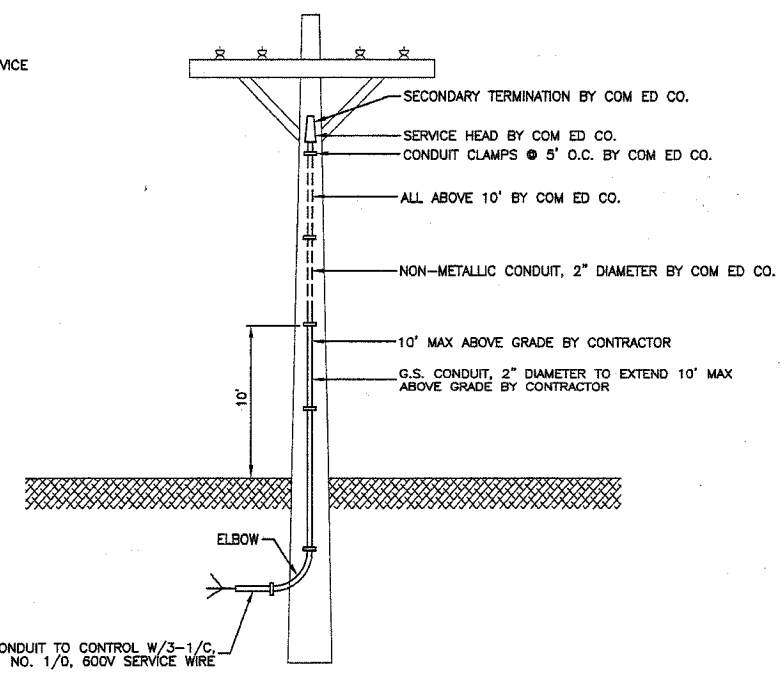


F.A.P. RITE	SECTION	COUNTY	TOTAL SHEETS	SHEET NO.
344	3034 N-1	COOK	71	41
FED. ROAD DIST. NO. 1		ILLINOIS	FED. AID PROJECT	

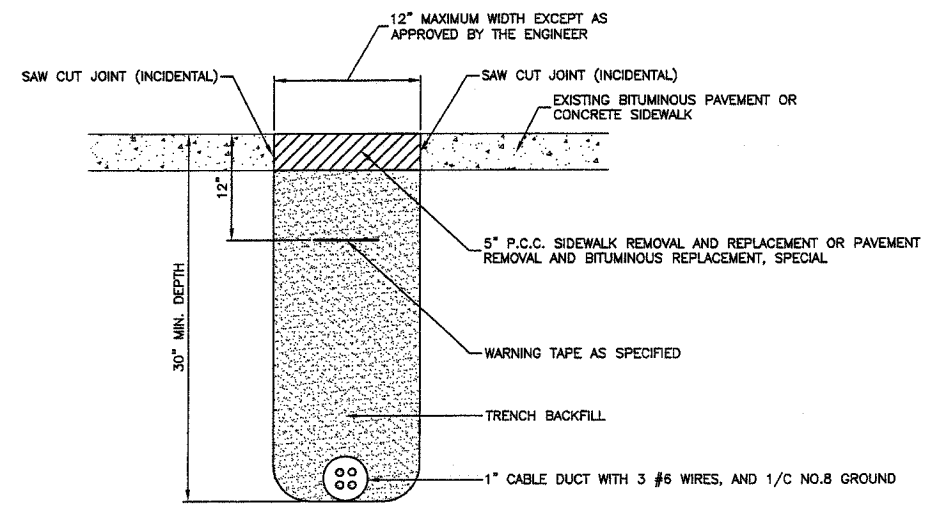


CONTROL INSTALLATION

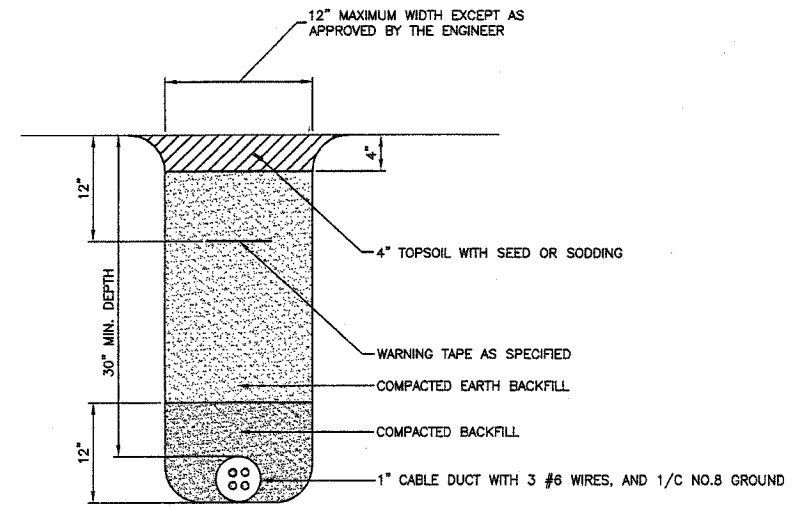
240/480 VOLT, 1 $\phi$ , 3 WIRE, 60HZ SERVICE  
KVA LOAD, CONTROLLER #1



SERVICE CONNECTION FOR ALL CONTROLLERS



BITUMINOUS PAVEMENT OR CONCRETE SIDEWALK  
REMOVAL AND REPLACEMENT



TRENCH DETAIL

MFT SECTION 06-00173-00-LT

<b>ROBINSON ENGINEERING, LTD.</b> CONSULTING REGISTERED PROFESSIONAL ENGINEERS AND PROFESSIONAL LAND SURVEYORS 17000 SOUTH PARK AVENUE SOUTH HOLLAND, ILLINOIS 60473 (708) 331-6700 FAX (708) 331-3828		<b>REVISIONS</b> No. Date Remarks	
© COPYRIGHT 2006 ILLINOIS DESIGN FIRM REGISTRATION NO. 154021128			
F.A.P. ROUTE 344 127TH STREET @ MAPLE ROAD STREET LIGHTING DETAILS			
<b>BLUE ISLAND, ILLINOIS</b>			
Drawn by: RG	Date: 11/27/06		
Checked by: PAP	Scale: NONE		
Sheet of	Project No. 06-688		