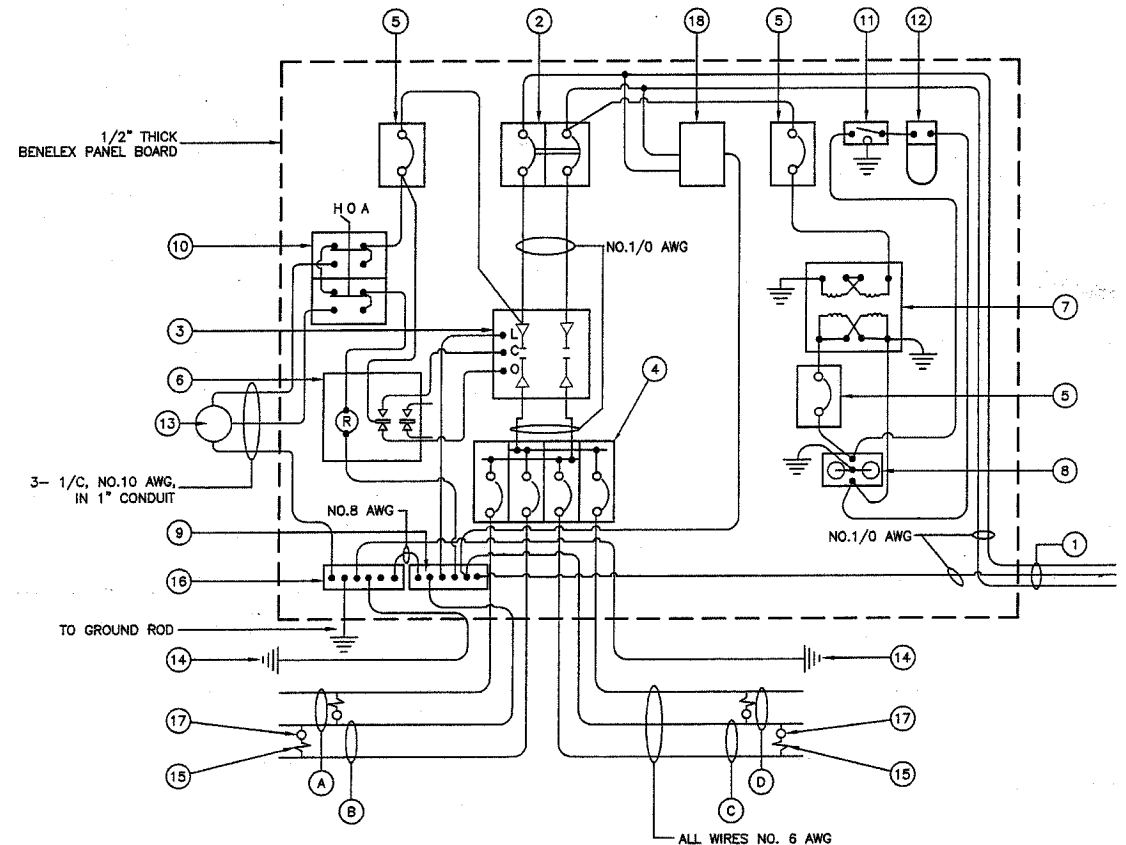


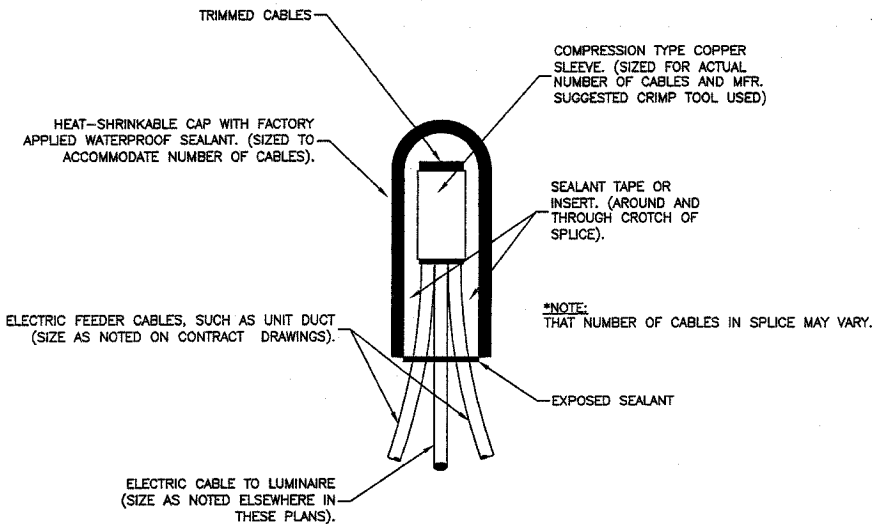
F.A.P. RE.	SECTION	COUNTY	TOTAL SHEETS	SHEET NO.
344	3034 N-1	COOK	71	42
FED. ROAD DIST. NO. 1		ILLINOIS	FED. AID PROJECT	



CONTROLLER WIRING DIAGRAM

GENERAL NOTES FOR CONTROL CABINET

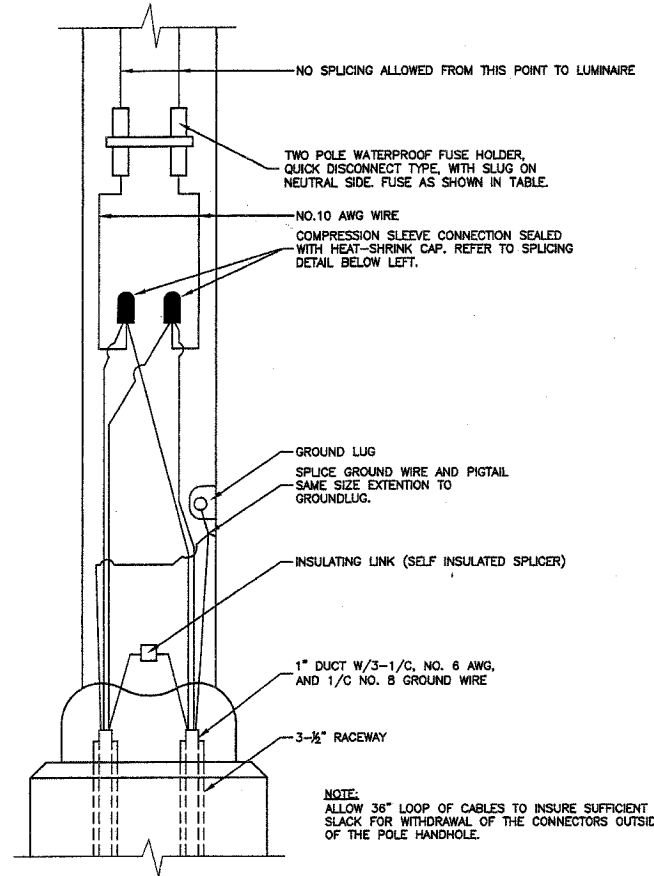
- ENTIRE CONTROL CABINET SHALL BE GROUNDED.
- ALL WIRING SHALL BE TAGGED WITH SELF-STICKING WIRE MARKERS.
- GROUND BUS TO BE COLOR CODED GREEN, NEUTRAL BUS WHITE, AND BONDED TO CABINET ENCLOSURE BY LISTED PRESSURE CONNECTORS OR LISTED CLAMPS.
- ALL INTERNAL CONTROLLER WIRING TO BE NO.12 AWG UNLESS OTHERWISE SPECIFIED.
- CABINET WIRING INSULATION TO BE TYPE XHHW OR APPROVED EQUAL.



SPLICING ELECTRIC CABLES BASIC MATERIALS AND METHODS

CONTROLLER WIRING DIAGRAM LEGEND

- 3-1/4, NO. 1/0, 600V SERVICE WIRE IN 2" DIA. GALVANIZED STEEL CONDUIT FOR 240/480 VOLT, 1Ø, 3 WIRE, 60HZ. SERVICE.
- (1) 60 AMP MAIN CIRCUIT BREAKER, 2 POLE, 600 VOLT, 100 AMP BASE, NON-INTERCHANGEABLE TRIP INTERRUPTING RATING NEMA - 14000 AMP AT 480 V.
- (1) 60 AMP REMOTE CONTROL CONTACTOR SWITCH, ELECTRICALLY OPERATED, MECHANICALLY HELD, 2 POLE, SINGLE THROW, MINIMUM 60 AMP, 600 VOLT
- (4) 30 AMP CIRCUIT BREAKER, 1 POLE, 240 VOLT, 100 AMP BASE, NON-INTERCHANGEABLE TRIP INTERRUPTING RATING NEMA - 14000 AMP AT 240 VOLTS.
- (3) 20 AMP CONTROL CIRCUIT-CIRCUIT BREAKER, 1 POLE, 240 VOLT, 100 AMP BASE, NON-INTERCHANGEABLE TRIP INTERRUPTING RATING NEMA 14000 AMP AT 240 V.
- (1) 20 AMP, 1 POLE DOUBLE THROW, 240 VOLT RELAY
- (1) 1.5 KVA, SINGLE PHASE, ENCAPSULATED TRANSFORMER 240x480/120x240 VOLT, 60 HZ.
- (1) 20 AMP, 120 VOLT DUPLEX GFCI RECEPTACLE.
- NEUTRAL BUS BAR, 1/4"x1"x12" LONG MOUNTED ON PANEL WITH TAPS.
- 3 POSITION SELECTOR SWITCH
- SWITCH FOR LIGHTING FIXTURE MOUNTED IN BOX.
- WEATHER-PROOF INCANDESCENT LIGHTING FIXTURE WITH 60 WATT, 120 V LAMP.
- PHOTOCELL MOUNTED TO TOP OF NEAREST LIGHT POLE, 240 V.
- NO. 8 AWG INSULATED GROUND WIRE
- IN-LINE FUSEHOLDER WITH FUSE AS NOTED IN FUSE TABLE
- GROUND BUS BAR 1/4"x1"x12" LONG MOUNTED ON PANEL WITH TAPS.
- LUMINAIRE, 250 HPS
- SURGE SUPPRESSOR
- CIRCUIT
- CIRCUIT
- CIRCUIT
- CIRCUIT



POLE HANDHOLE WIRING DIAGRAM

(TYPICAL FOR SINGLE LUMINAIRE INSTALLATION)

LIGHTING GENERAL NOTES

- ALL WORK TO CONFORM TO THE NATIONAL ELECTRICAL CODE AND ANY APPLICABLE LOCAL CODES.
- CONTRACTOR TO VERIFY LOCATION OF ALL UNDERGROUND UTILITIES BEFORE TRENCHING OR AUGERING.
- BEFORE INSTALLING STANDARDS NEAR OVERHEAD FACILITIES CALL C.E. Co. FOR APPROVAL OF LOCATION.
- FOR LOCATION OF EXISTING UNDERGROUND ELECTRICAL CABLE CALL C.E. Co.
- SIZE ALL CONDUIT AS SPECIFIED ON DRAWINGS.
- CONTRACTOR SHALL TAKE ALL NECESSARY MEASURES TO RESTORE ANY SPECIALIZED LANDSCAPING (I.E. DECORATIVE ROCKS, SHRUBS, PLANTS, ECT.) OR SHALL REPLACE IT, THE COST OF WHICH SHALL BE CONSIDERED INCIDENTAL TO THE CONTRACT.

NOMINAL WATTAGE	FUSE SIZE
250	3.5 AMP

LUMINAIRE FUSE SIZE TABLE

MFT SECTION 06-00173-00-LT

ROBINSON ENGINEERING, LTD. CONSULTING REGISTERED PROFESSIONAL ENGINEERS AND PROFESSIONAL LAND SURVEYORS 17000 SOUTH PARK AVENUE - SOUTH HOLLAND, ILLINOIS 60473 (708) 331-8700 FAX (708) 331-8828 © COPYRIGHT 2006 ILLINOIS DESIGN FIRM REGISTRATION NO. 184001128		REVISIONS No. Date Remarks	
F.A.P. ROUTE 344 127TH STREET @ MAPLE ROAD STREET LIGHTING DETAILS			
BLUE ISLAND, ILLINOIS			
Drawn by: RG	Date: 11/27/06		
Checked by: PAP	Scale: NONE		
Sheet of	Project No. 06-688		