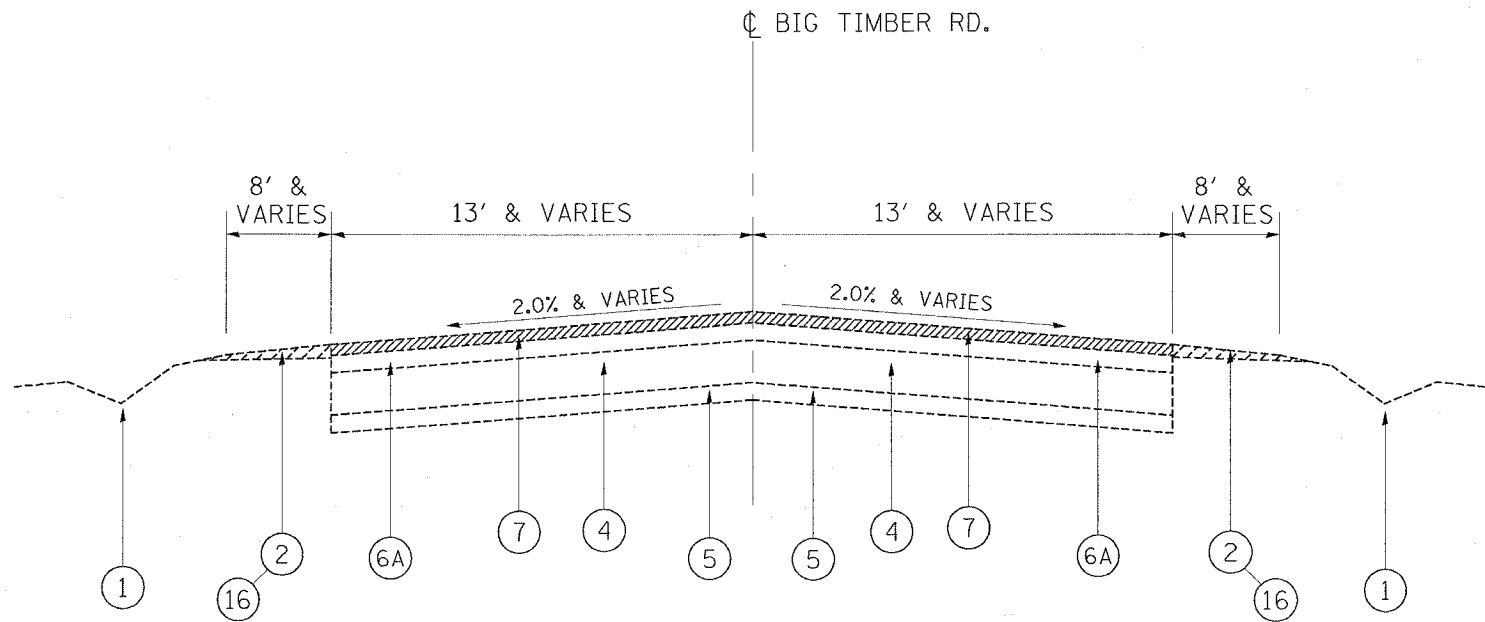


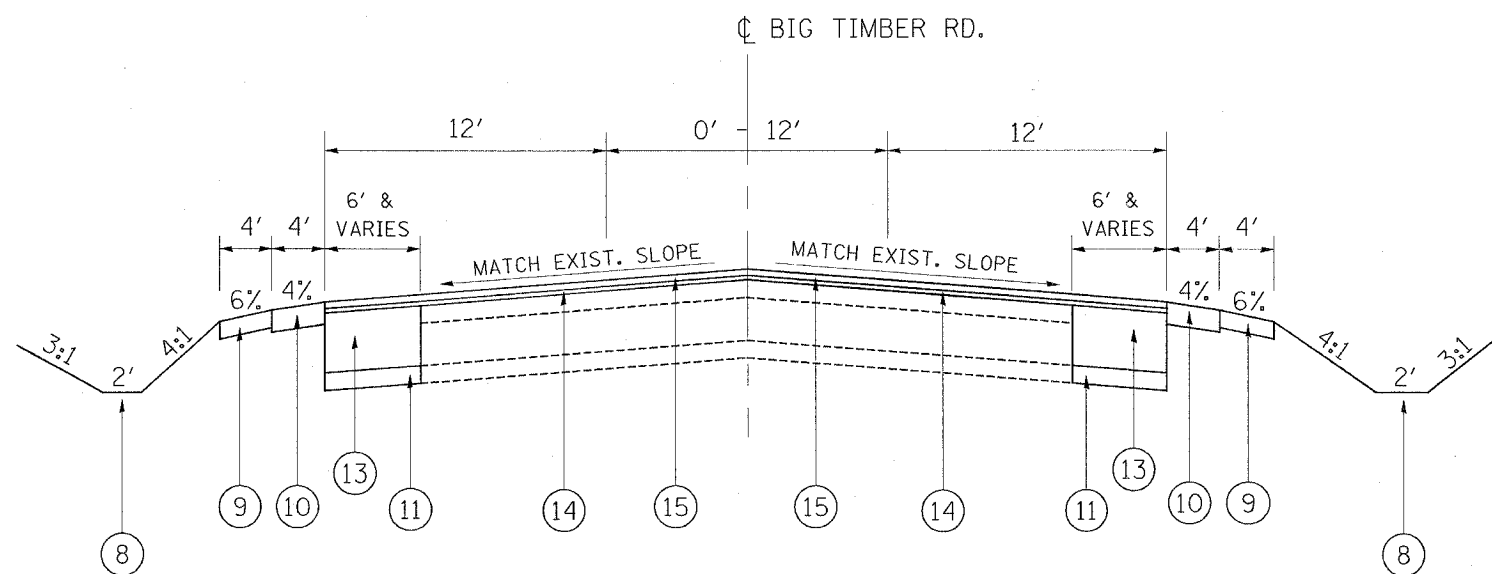
F.A.P. RTE.	SECTION	COUNTY	TOTAL SHEETS	SHEET NO.
326	106-N-1	KANE	82	9
STA.		TO STA.		
FED. ROAD DIST. NO. 1 ILLINOIS FED. AID PROJECT				

**LEGEND**

- ① EXIST. DITCH
- ② EXIST. AGGREGATE SHOULDER
- ③ EXIST. P.C.C. BASE COURSE, 9''(±)
- ④ EXIST. AGGREGATE BASE COURSE, 8''(±)
- ⑤ EXIST. SUBBASE GRAN. MATL., 4''(±)
- ⑥ EXIST. HOT-MIX ASPHALT PAVEMENT, 9''(±)
- ⑥A EXIST. HOT-MIX ASPHALT PAVEMENT, 7''(±)
- ⑦ PROP. HOT-MIX ASPHALT SURFACE REMOVAL, 2 1/2''
- ⑧ PROP. DITCH
- ⑨ PROP. AGGREGATE SHOULDER, TYPE B, 6''
- ⑩ PROP. HOT-MIX ASPHALT SHOULDER, 8''
- ⑪ PROP. WIDENING: SUBBASE GRAN. MATL., 4''
- ⑫ PROP. WIDENING: POLYMERIZED HOT-MIX ASPHALT BINDER COURSE, IL-19.0, N90, 1 1/2''
- ⑬ PROP. WIDENING: HOT-MIX ASPHALT BASE COURSE, 1 1/2''
- ⑭ PROP. POLYMERIZED LEVELING BINDER (MACHINE METHOD), IL4-75, N50, 3/4''
- ⑮ PROP. POLYMERIZED HOT-MIX ASPHALT SURFACE COURSE, MIX "F", N90, 1 3/4''
- ⑯ PROP. AGGREGATE SHOULDER REMOVAL (TO BE INCLUDED AS REMOVAL AND DISPOSAL OF UNSUITABLE MATERIAL)



**EXISTING TYPICAL SECTION  
BIG TIMBER RD.  
STA. 55+83.12 TO 59+50**



**PROPOSED TYPICAL SECTION  
BIG TIMBER RD.  
STA. 55+83.12 TO 59+50**

**NOTES:**

POROUS GRANULAR EMBANKMENT, SUBGRADE LOCATIONS TO BE DETERMINED IN THE FIELD AT THE TIME OF CONSTRUCTION BY THE GEOTECHNICAL ENGINEER.

4-INCH DIAMETER LONGITUDINAL PIPE UNDERDRAINS TO BE PLACED AT THE OUTSIDE EDGES OF THE PROPOSED WIDENING WITHIN AREAS WHICH ARE UNDERCUT AND BACKFILLED WITH PGES. THE UNDERDRAINS SHOULD BE INSTALLED AT A DEPTH OF 30 INCHES BELOW THE TOP OF PROPOSED PAVEMENT.

REVISIONS	
NAME	DATE

ILLINOIS DEPARTMENT OF TRANSPORTATION

**EXISTING AND PROPOSED  
TYPICAL SECTIONS  
IL 47 AT BIG TIMBER RD.**

SCALE: VERT. DATE      HORIZ. DATE      DRAWN BY      CHECKED BY