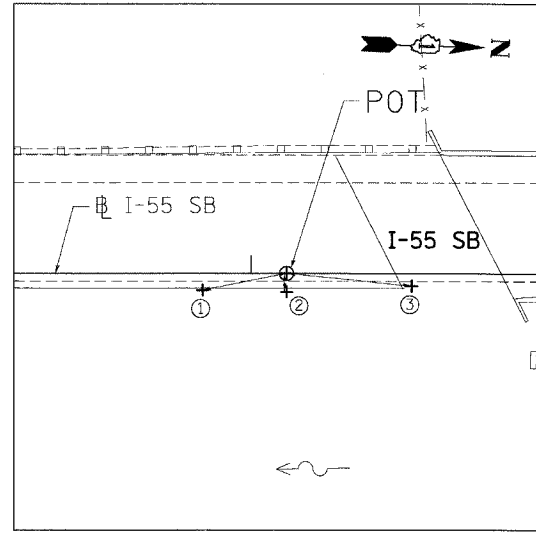
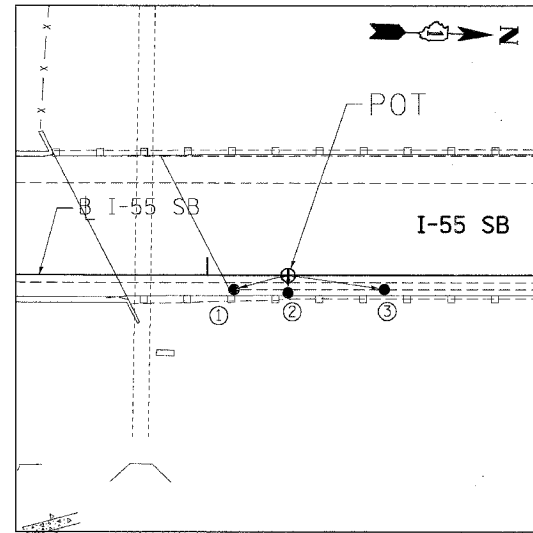


F.A.I. RTE.	SECTION	COUNTY	TOTAL SHEETS	SHEET NO.
55	99 (1&2) WRS	WILL	334	37
STA.		TO STA.		
FED. ROAD DIST. NO.		ILLINOIS FED. AID PROJECT		



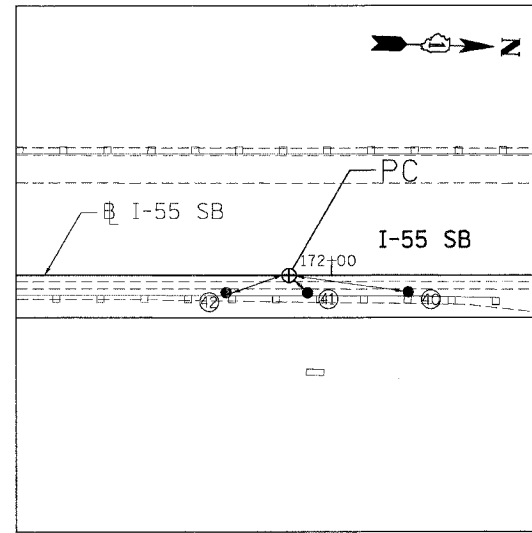
PC STA. 166+10.13 (SET CROSS)

- ① SET +, 24.46'
- ② SET +, 3.87'
- ③ SET +, 35.76'



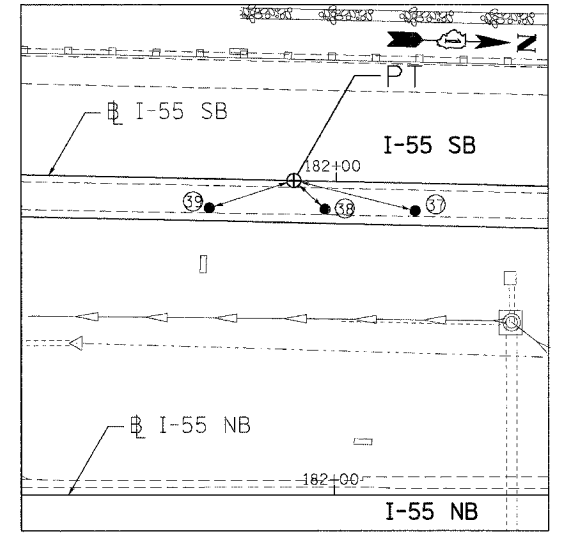
PC STA. 169+23.00 (SET CROSS)

- ① SET PK NAIL, 15.87'
- ② SET PK NAIL, 4.95'
- ③ SET PK NAIL, 27.73'



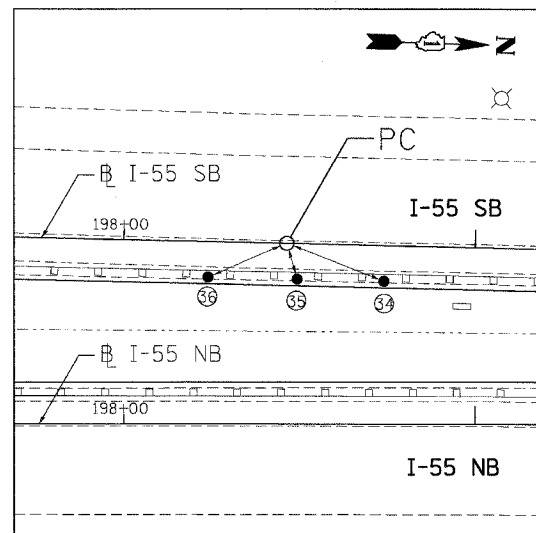
PC STA. 171+87.88 (SET CROSS)

- ④ SET PK NAIL, 34.28'
- ④ SET PK NAIL, 7.24'
- ④ SET PK NAIL, 23.16'



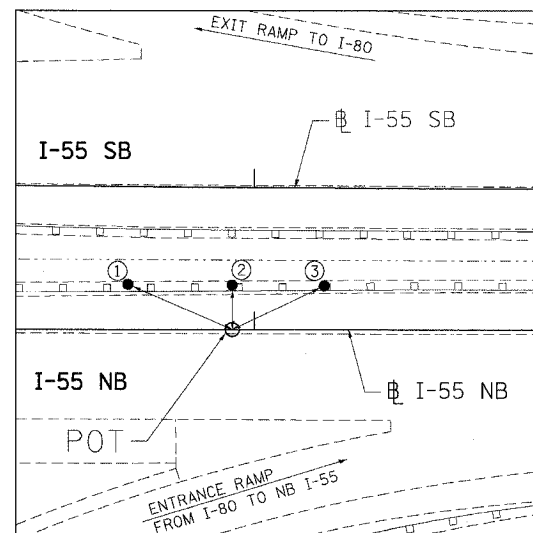
PT STA. 181+88.00 (SET CROSS)

- ⑦ SET PK NAIL, 35.57'
- ⑧ SET PK NAIL, 12.11'
- ⑨ SET PK NAIL, 25.28'



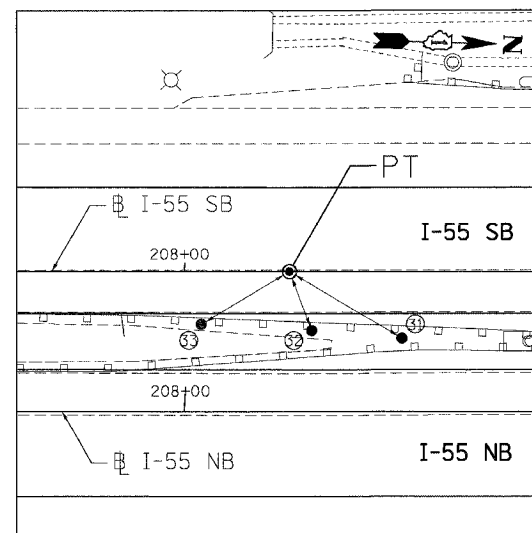
PC STA. 198+46.34 (SET PK NAIL)

- ④ SET PK NAIL, 29.66'
- ⑤ SET PK NAIL, 10.60'
- ⑥ SET PK NAIL, 24.34'



PT STA. 205+93.68 (SET PK NAIL)

- ① SET PK NAIL, 32.34'
- ② SET PK NAIL, 12.70'
- ③ SET PK NAIL, 29.05'



PT STA. 208+29.87

- ③ SET PK NAIL, 37.30'
- ③ SET PK NAIL, 18.07'
- ③ SET PK NAIL, 29.25'

PLOT DATE = 02/23/07
 FILE NAME = I:\PROJECTS\62895\DRAWINGS\I-55\I-55_ALIGN_TIES_BENCHM_IV.DWG
 USER NAME = DDH
 2-23-2007 11:42:21 AM
 SANDOZ\10236156\AC\CIVIL\DDH\I-55\I-55_ALIGN_TIES_BENCHM_IV.DWG

REVISIONS	
NAME	DATE

ILLINOIS DEPARTMENT OF TRANSPORTATION
 FAI ROUTE 55 (I-80 TO BLACK ROAD)
 WIDENING AND RESURFACING

**ALIGNMENT, TIES AND BENCHMARKS
 IV**

SCALE: N.T.S. DRAWN BY SB
 DATE 02/23/07 CHECKED BY DDH

TENG TENG & ASSOCIATES, INC.
 ENGINEERS/ARCHITECTS/PLANNERS
 CHICAGO, ILLINOIS