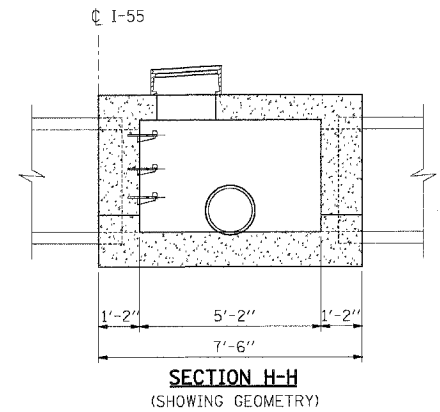
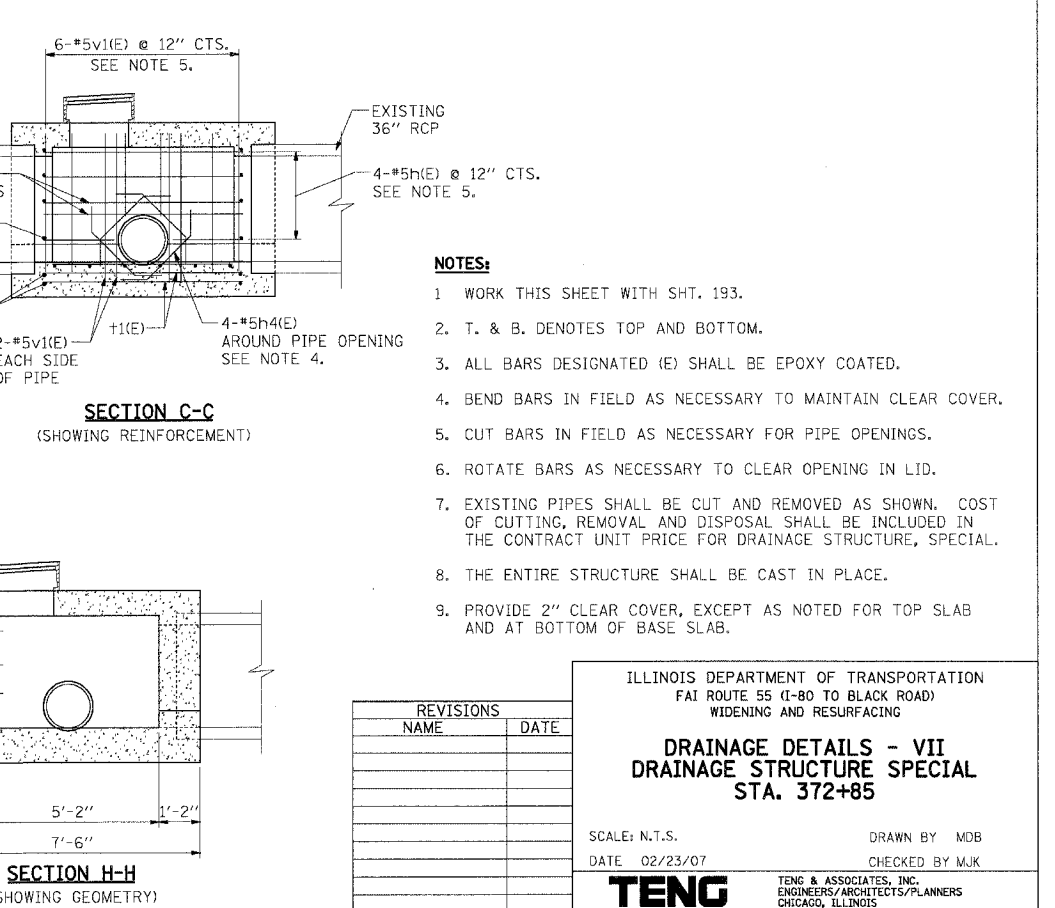
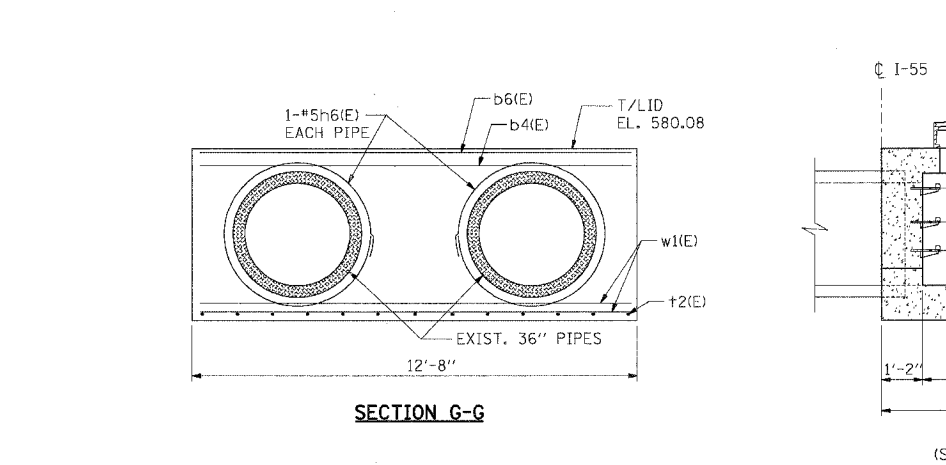
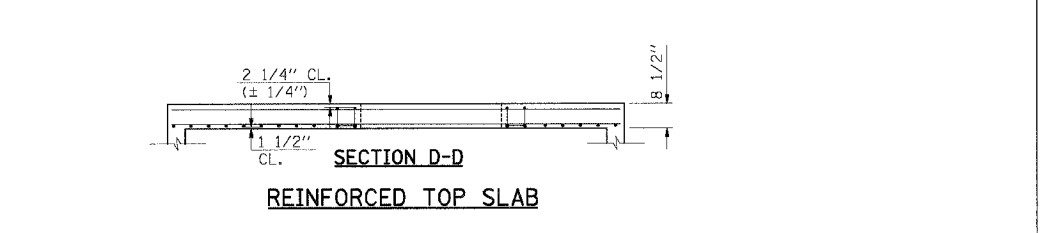
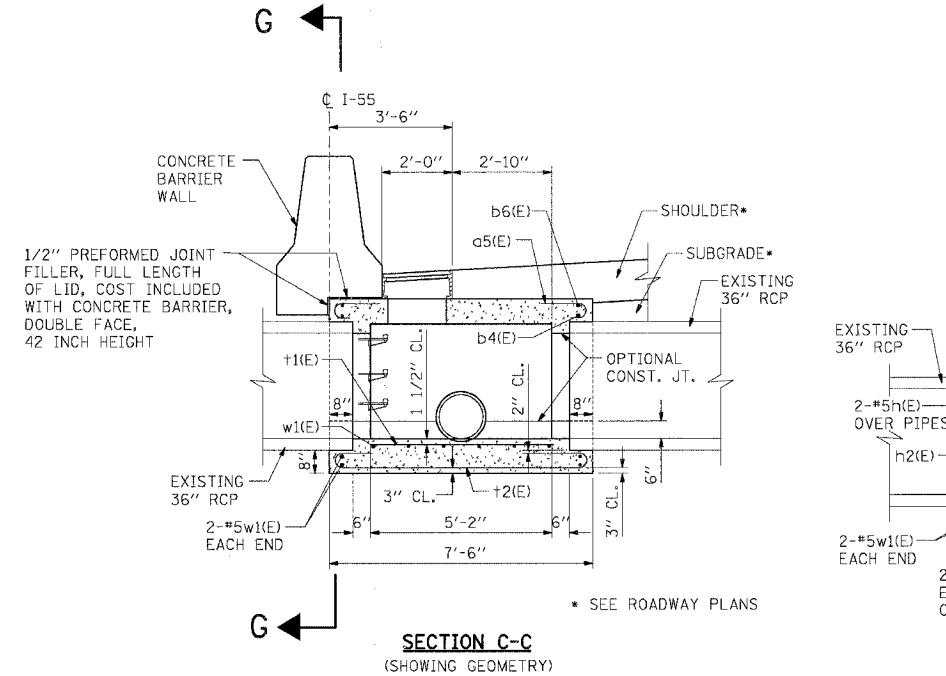
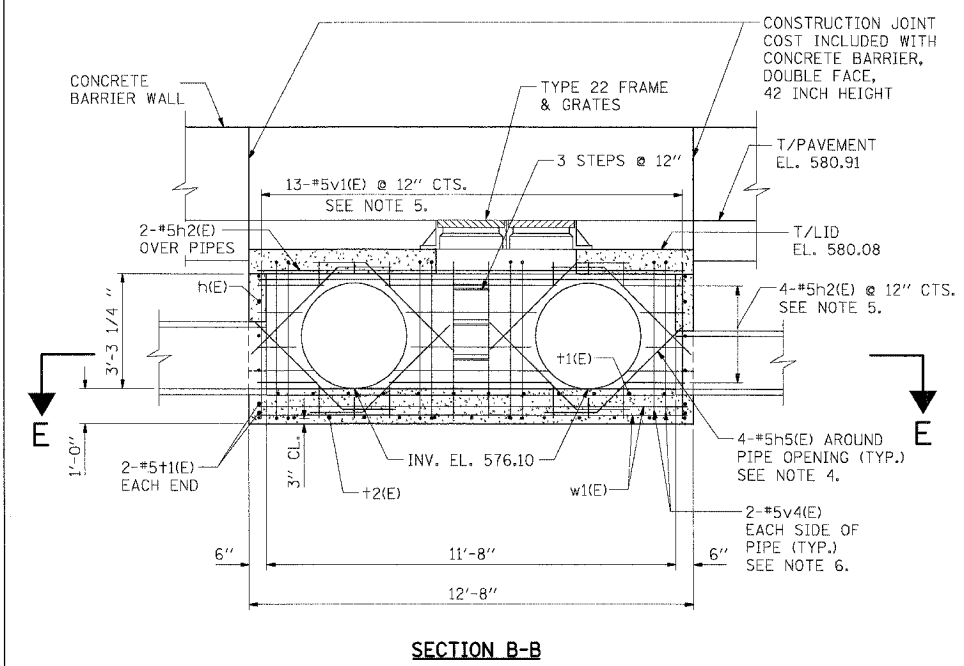
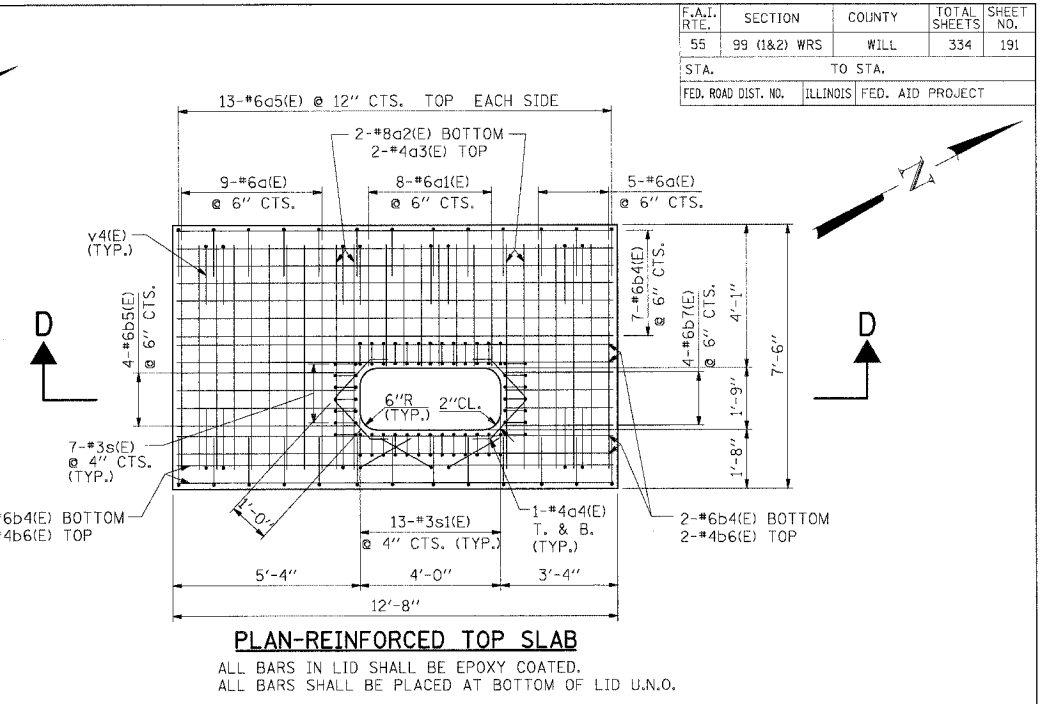
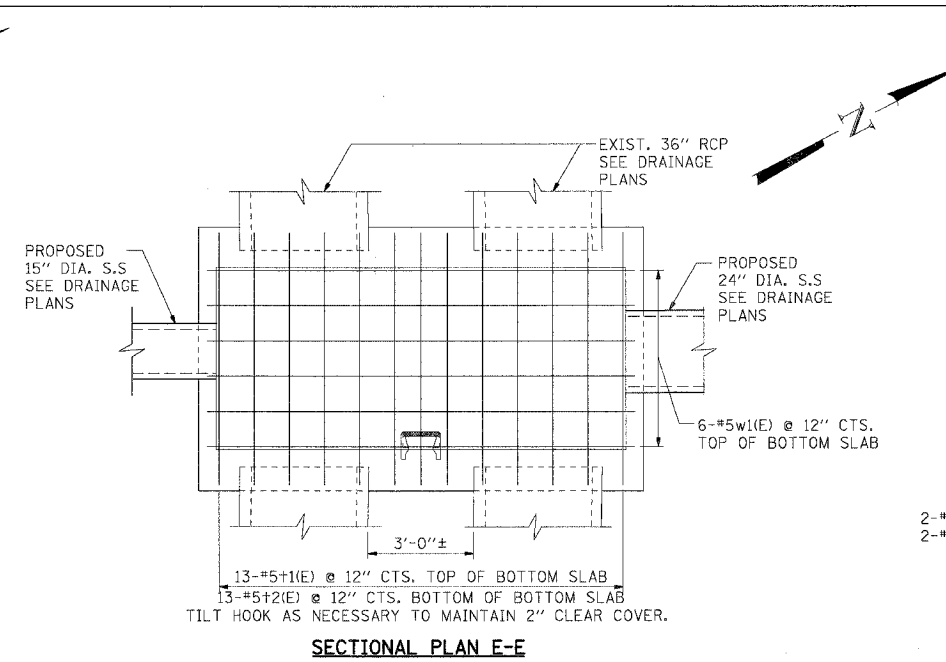
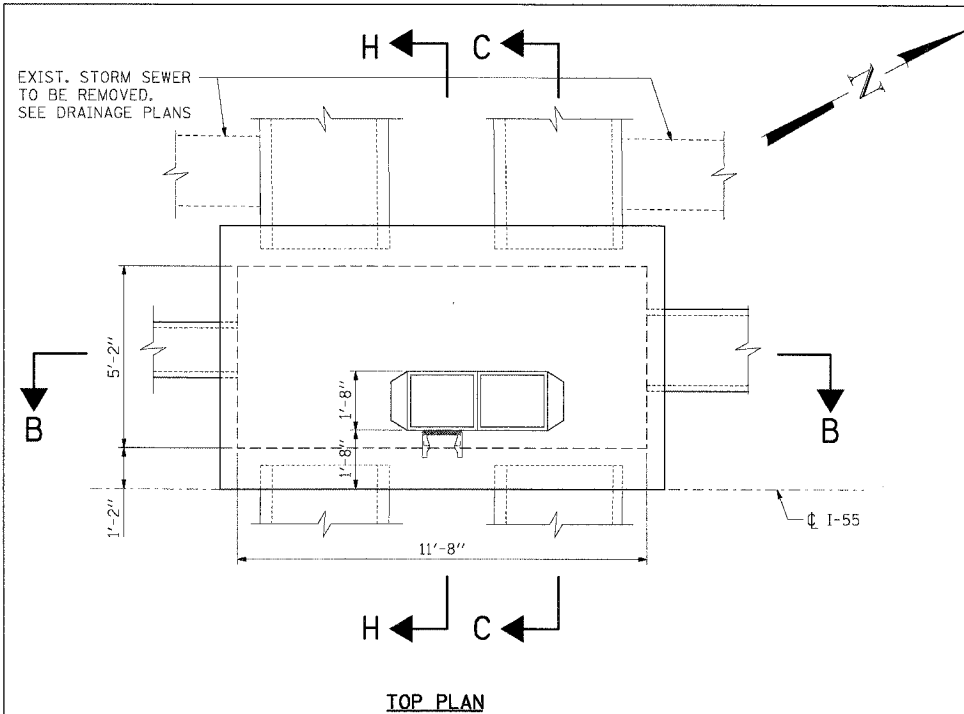


F.A.I. RTE.	SECTION	COUNTY	TOTAL SHEETS	SHEET NO.
55	99 (1&2) WRS	WILL	334	191
STA. TO STA.		ILLINOIS FED. AID PROJECT		



- NOTES:**
- WORK THIS SHEET WITH SHT. 193.
  - T. & B. DENOTES TOP AND BOTTOM.
  - ALL BARS DESIGNATED (E) SHALL BE EPOXY COATED.
  - BEND BARS IN FIELD AS NECESSARY TO MAINTAIN CLEAR COVER.
  - CUT BARS IN FIELD AS NECESSARY FOR PIPE OPENINGS.
  - ROTATE BARS AS NECESSARY TO CLEAR OPENING IN LID.
  - EXISTING PIPES SHALL BE CUT AND REMOVED AS SHOWN. COST OF CUTTING, REMOVAL AND DISPOSAL SHALL BE INCLUDED IN THE CONTRACT UNIT PRICE FOR DRAINAGE STRUCTURE, SPECIAL.
  - THE ENTIRE STRUCTURE SHALL BE CAST IN PLACE.
  - PROVIDE 2" CLEAR COVER, EXCEPT AS NOTED FOR TOP SLAB AND AT BOTTOM OF BASE SLAB.

REVISIONS	
NAME	DATE

ILLINOIS DEPARTMENT OF TRANSPORTATION  
FAI ROUTE 55 (I-80 TO BLACK ROAD)  
WIDENING AND RESURFACING

**DRAINAGE DETAILS - VII**  
**DRAINAGE STRUCTURE SPECIAL**  
**STA. 372+85**

SCALE: N.T.S. DRAWN BY: MJB  
DATE: 02/23/07 CHECKED BY: MJK

**TENG** TENG & ASSOCIATES, INC.  
ENGINEERS/ARCHITECTS/PLANNERS  
CHICAGO, ILLINOIS

PLOT DATE = 02/23/07  
 FILE NAME = 022307.DWG  
 PLOT SCALE = 1/8"=1'-0"  
 USER NAME = MJB