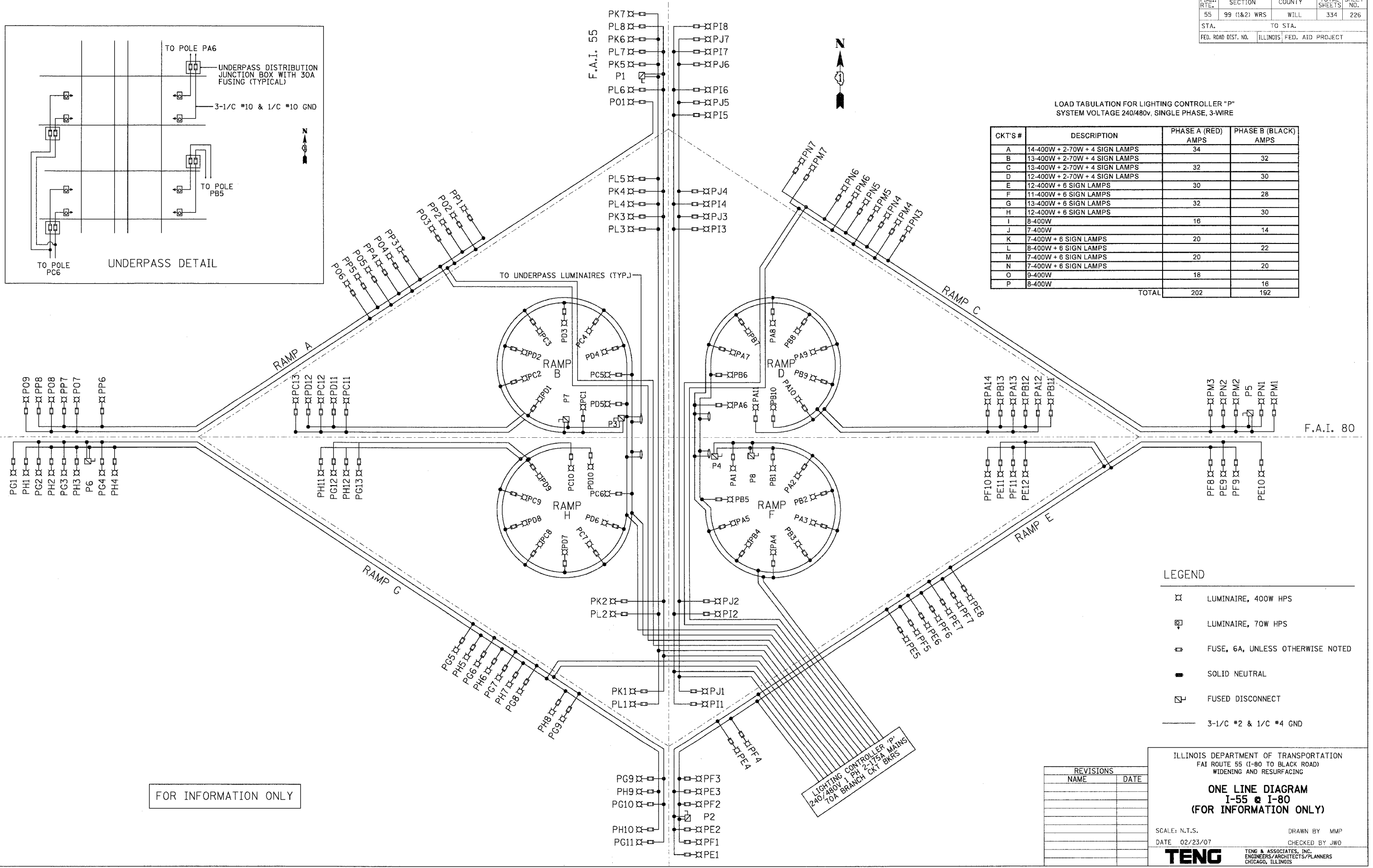
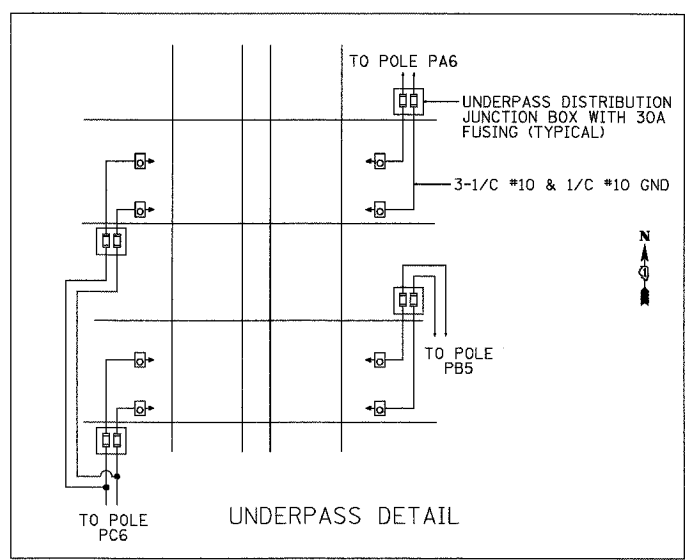


F.A.I. RTE.	SECTION	COUNTY	TOTAL SHEETS	SHEET NO.
55	99 (1&2) WRS	WILL	334	226
STA.		TO STA.		
FED. ROAD DIST. NO.		ILLINOIS FED. AID PROJECT		

LOAD TABULATION FOR LIGHTING CONTROLLER "P"
SYSTEM VOLTAGE 240/480V, SINGLE PHASE, 3-WIRE

CKT'S #	DESCRIPTION	PHASE A (RED) AMPS	PHASE B (BLACK) AMPS
A	14-400W + 2-70W + 4 SIGN LAMPS	34	
B	13-400W + 2-70W + 4 SIGN LAMPS		32
C	13-400W + 2-70W + 4 SIGN LAMPS	32	
D	12-400W + 2-70W + 4 SIGN LAMPS		30
E	12-400W + 6 SIGN LAMPS	30	
F	11-400W + 6 SIGN LAMPS		28
G	13-400W + 6 SIGN LAMPS	32	
H	12-400W + 6 SIGN LAMPS		30
I	8-400W	16	
J	7-400W		14
K	7-400W + 6 SIGN LAMPS	20	
L	8-400W + 6 SIGN LAMPS		22
M	7-400W + 6 SIGN LAMPS	20	
N	7-400W + 6 SIGN LAMPS		20
O	9-400W	18	
P	8-400W		16
TOTAL		202	192



FOR INFORMATION ONLY

- LEGEND
- ⊗ LUMINAIRE, 400W HPS
 - ⊕ LUMINAIRE, 70W HPS
 - ⊞ FUSE, 6A, UNLESS OTHERWISE NOTED
 - SOLID NEUTRAL
 - ⊞ FUSED DISCONNECT
 - 3-1/2 #2 & 1/2 #4 GND

REVISIONS	
NAME	DATE

ILLINOIS DEPARTMENT OF TRANSPORTATION
FAI ROUTE 55 (I-80 TO BLACK ROAD)
WIDENING AND RESURFACING

ONE LINE DIAGRAM
I-55 @ I-80
(FOR INFORMATION ONLY)

SCALE: N.T.S. DRAWN BY MMP
DATE 02/23/07 CHECKED BY JWO

TENG TENG & ASSOCIATES, INC.
ENGINEERS/ARCHITECTS/PLANNERS
CHICAGO, ILLINOIS

PLOT DATE = 02/23/07
 FILE NAME = #FILE19
 PLOT SCALE = #SCALE#
 USER NAME = #USER#
 SAVEDOCUMENT 02/23/07 11:21:58
 C:\CCTV\2007\11\21\58