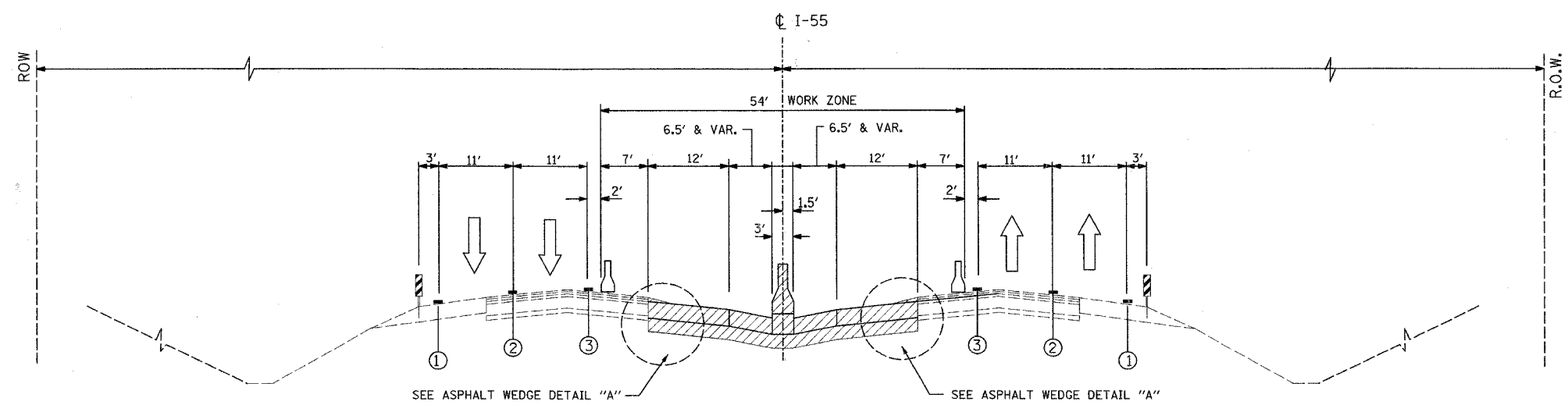
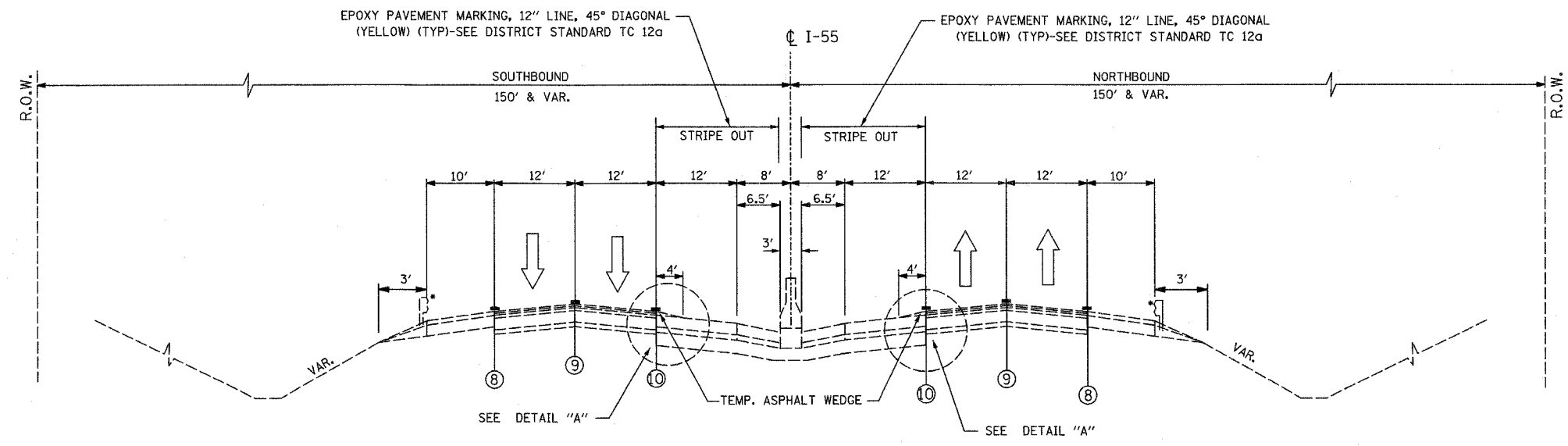


CONTRACT NO. 62896				
F.A.I. RTE.	SECTION	COUNTY	TOTAL SHEETS	SHEET NO.
55	99 (1&2) WRS-1	WILL	227	58
STA.	TO STA.			
FED. ROAD DIST. NO.	ILLINOIS	FED. AID PROJECT		
	MOT-TYP-04 OF 06			



**SUGGESTED TYPICAL SECTION  
STAGE I - 2007 CONSTRUCTION SEASON**  
STA. 722+00.00 TO STA. 751+75.00



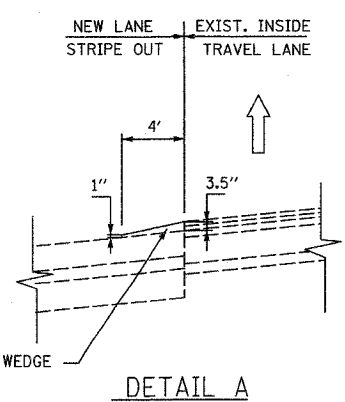
**SUGGESTED TYPICAL SECTION  
WINTER SHUTDOWN**  
STA. 722+00.00 TO STA. 751+75.00

**LEGEND**

- ① PVMT MARKING TAPE, TYPE III 4" (WHITE)
- ② PVMT MARKING TAPE, TYPE III 5" SKIP-DASH (30FT/10FT)
- ③ PVMT MARKING TAPE, TYPE III 4" (YELLOW)
- ④ HOT-MIX ASPHALT SURFACE COURSE, MIX "D", N70, 1-3/4"
- ⑤ HOT-MIX ASPHALT BASE COURSE, 10-1/4"
- ⑥ EXISTING AGGREGATE SHOULDER
- ⑦ AGGREGATE SHOULDER, TYPE B
- ⑧ EPOXY PAVEMENT MARKING - LINE 4" (WHITE)
- ⑨ EPOXY PAVEMENT MARKING - LINE 5" SKIP-DASH (30FT/10FT)
- ⑩ EPOXY PAVEMENT MARKING - LINE 4" (YELLOW)

**LEGEND**

- VERTICAL PANELS AT 100' IN CURVES AND 200' IN TANGENTS
- DRUMS W/ STEADY BURN LIGHTS AT 50' C-C IN TAPERS AND 100' C-C IN TANGENTS
- WORK ZONE
- TRAFFIC FLOW ARROW
- TEMPORARY CONCRETE BARRIER



**NOTE:**

•• THE COST OF TEMPORARY ASPHALT WEDGE REMOVAL WILL NOT BE PAID FOR SEPARATELY, BUT SHALL BE INCLUDED IN THE CONTRACT UNIT PRICE PER SQ YD FOR "TEMPORARY ASPHALT WEDGE"

**STAGE I-2007 CONSTRUCTION SEASON  
& WINTER SHUTDOWN**

REVISIONS	
NAME	DATE

ILLINOIS DEPARTMENT OF TRANSPORTATION  
FAI ROUTE 55  
US 30 (PLAINFIELD ROAD) TO 143RD STREET  
SUGGESTED STAGES OF  
CONSTRUCTION AND TRAFFIC CONTROL  
GENERAL NOTES AND DETAILS

SCALE: NONE  
DATE: 02-23-07

DRAWN BY: DM  
CHECKED BY: DVS



**FINAL**