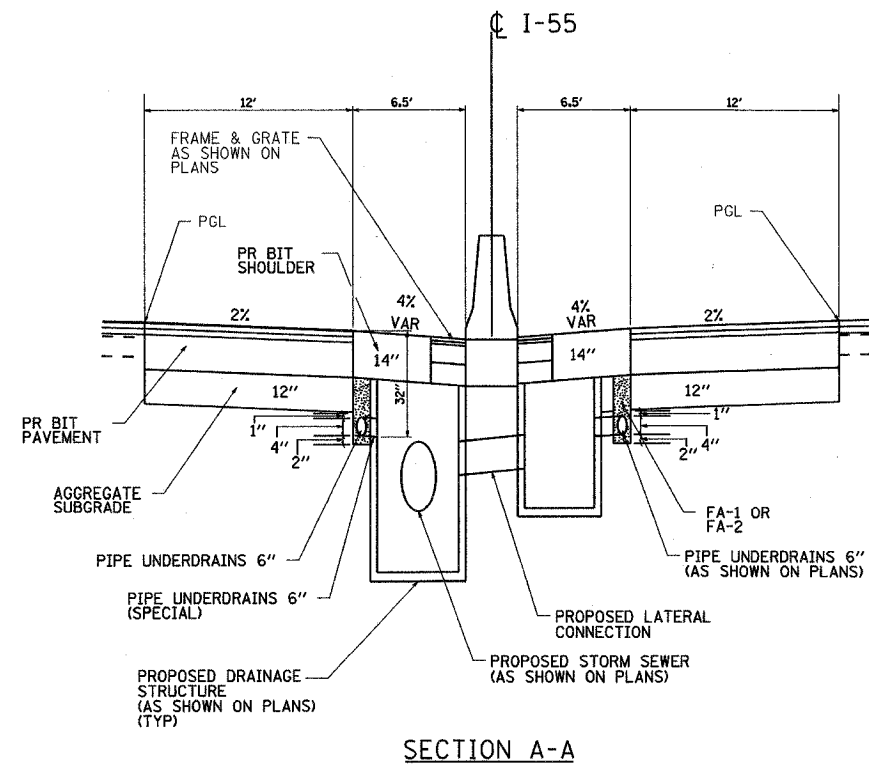
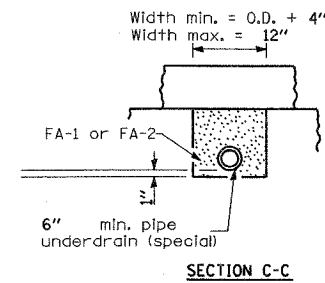


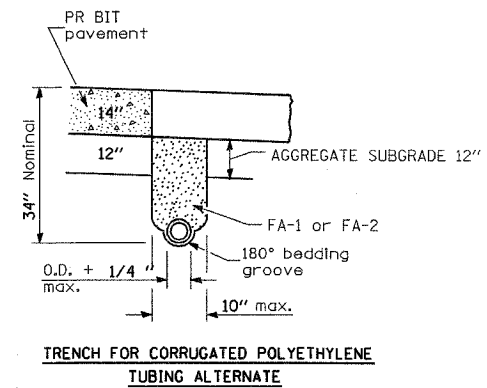
F.A.P. RTE.	SECTION	COUNTY	TOTAL SHEETS	SHEET NO.
55	99 (I&2) WRS-1	WILL	227	98
STA.		TO STA.		
FED. ROAD DIST. NO.	ILLINOIS	FED. AID PROJECT		
DDET 3 OF 3				



SECTION A-A



SECTION C-C



TRENCH FOR CORRUGATED POLYETHYLENE TUBING ALTERNATE

GENERAL NOTES

The 24" radius on the drainage fitting is only a minimum. Larger radii meeting the approval of the Engineer maybe substituted.

**PARSONS BRINCKERHOFF**  
 SMITH ENGINEERING CONSULTANTS, INC.  
 www.smithengineering.com

REVISIONS	
NAME	DATE

ILLINOIS DEPARTMENT OF TRANSPORTATION  
 FAI ROUTE 55  
 US 30 (PLAINFIELD ROAD) TO 143RD STREET  
 DRAINAGE DETAILS  
 PIPE UNDERDRAINS  
 SHEET 2 OF 2  
 SCALE: DRAWN BY JRM  
 DATE: 02-23-2007 CHECKED BY TEH

FINAL