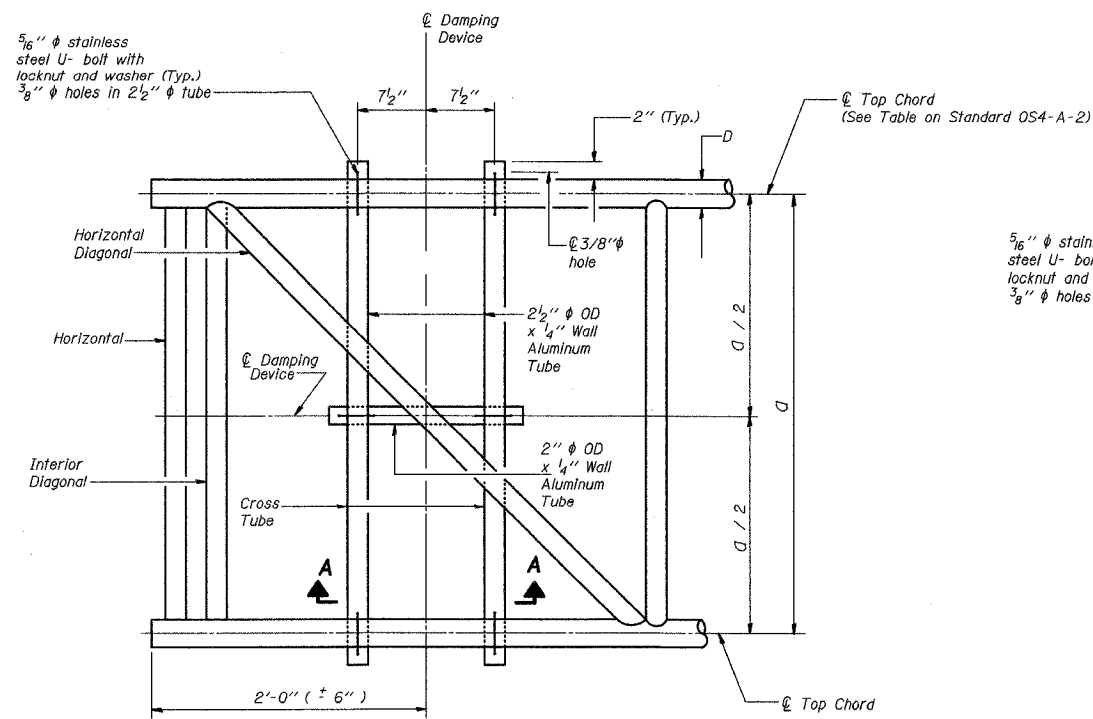
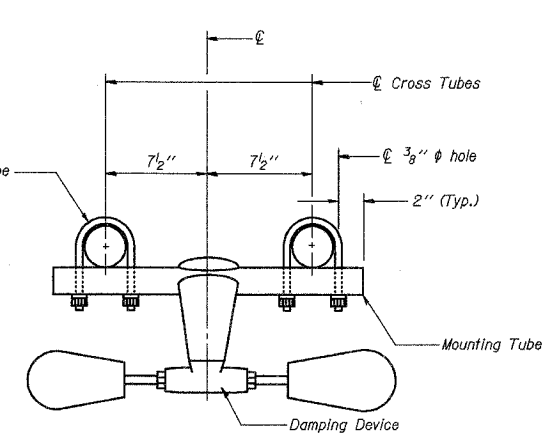


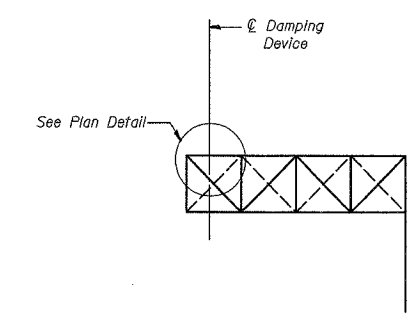
|                     |               |                  |              |           |
|---------------------|---------------|------------------|--------------|-----------|
| CONTRACT NO. 62896  |               |                  |              |           |
| F.A.P. RTE.         | SECTION       | COUNTY           | TOTAL SHEETS | SHEET NO. |
| 55                  | 100 (I&2) I-9 | WILL             | 227          | 125       |
| STA.                | TO STA.       |                  |              |           |
| FED. ROAD DIST. NO. | ILLINOIS      | FED. AID PROJECT |              |           |
| DETL5-17 OF 27      |               |                  |              |           |



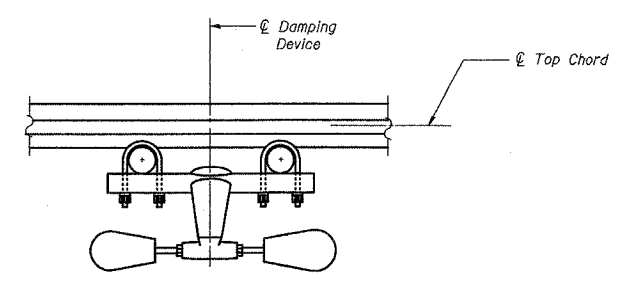
**PLAN DETAIL**



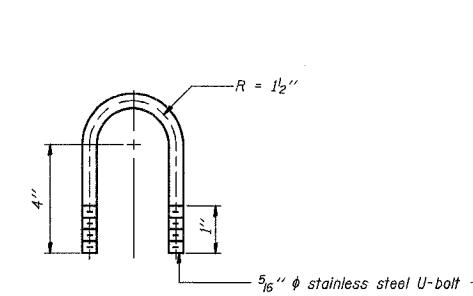
**TRUSS DAMPING DEVICE CONNECTION DETAIL**



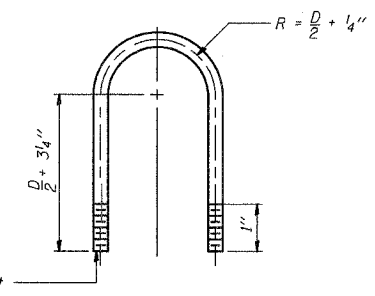
**ELEVATION**  
Aluminum Cantilever Sign Structure



**SECTION A-A**



**DAMPING DEVICE MOUNTING TUBE U-BOLT DETAIL**  
(Typical)



**TOP CHORD TO CROSS TUBE U-BOLT DETAIL**  
(Typical)

**GENERAL NOTES**

- Damper: One damper per truss. (31 lbs. Stockbridge-Type Aluminum)
- Materials: Aluminum tubes shall be ASTM B221 alloy 6061 temper T6
- Fasteners: U-bolts shall be produced from ASTM A276 Type, 304, 304L, 316 or 316L, Condition A, cold finish, or an equivalent material acceptable to the Engineer. All nuts shall be stainless steel conforming to ASTM A194, Grade 8 (AISI 8 Type 304) or Grade 8F (AISI Type 303). The nuts shall be "locknuts" with nylon or steel inserts and semifinished hexagonal heads equivalent to the finished hex series of the American National Standards. All washers shall be stainless steel conforming to ASTM A240, Type 302 or 304.

**DAVID MASON & ASSOCIATES**  
Civil Engineering  
Structural Engineering  
Surveying  
445 E. Illinois, Suite 640  
Chicago, IL 60611  
(312) 942-9600

**PB PARSONS BRINCKERHOFF**

| REVISIONS |      |
|-----------|------|
| NAME      | DATE |
|           |      |
|           |      |
|           |      |
|           |      |
|           |      |
|           |      |
|           |      |
|           |      |
|           |      |
|           |      |

ILLINOIS DEPARTMENT OF TRANSPORTATION  
F.A.I. I-55  
US RTE. 30 TO 143rd STREET  
CANTILEVER SIGN STRUCTURES  
DAMPING DEVICE

SCALE: 1" = 50'  
DATE: FEBRUARY 23, 2007

DRAWN BY: JS, LC  
CHECKED BY: SE