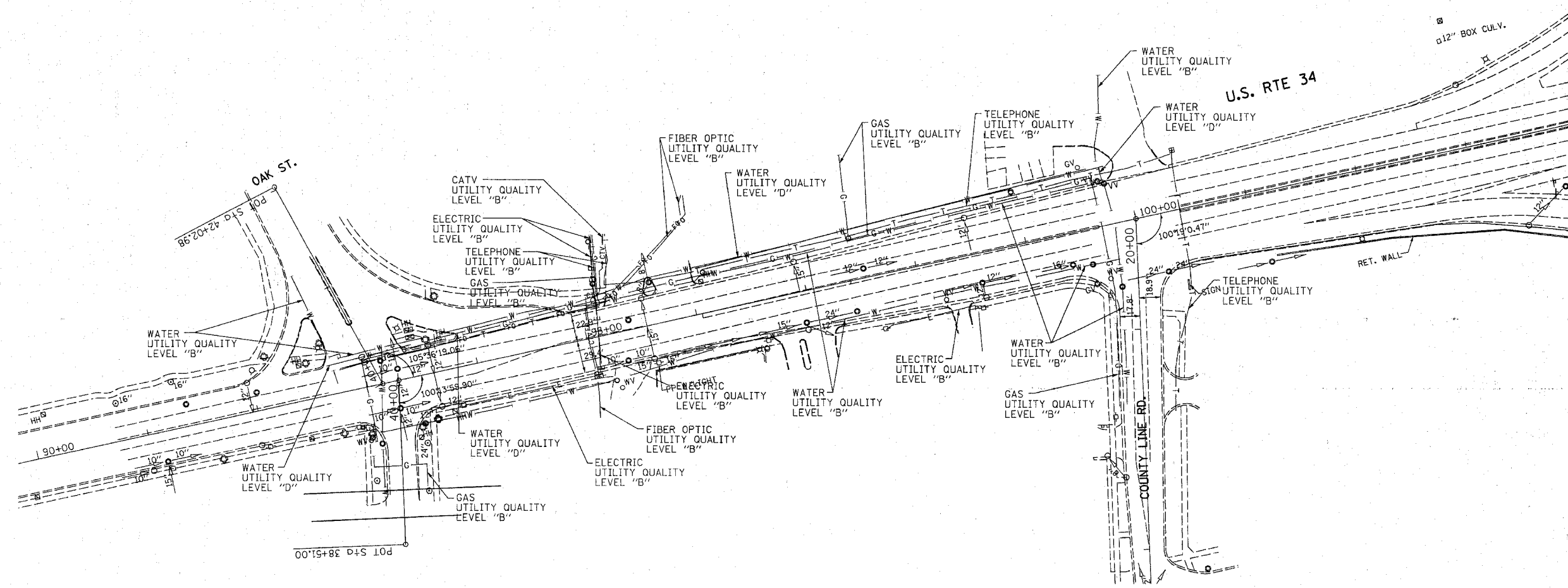
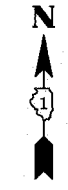


F.A.P. RTE.	SECTION	COUNTY	TOTAL SHEETS	SHEET NO.
311	9 Y-N-2	COOK/DUPAGE	39	15
STA.		TO STA.		
FED. ROAD DIST. NO.		ILLINOIS FED. AID PROJECT		



Water lines on North side of US. RTE 34 cross each other at approx. Station 94+90 approximately 33.4' North of centerline. TBE was unable to determine the horizontal location of the Quality Level "D" water main as indicated on plan sheet due to the utility being made out of a non-conductive material.

The SBC locations depicted have been obtained through the application of geophysical methods to determine the existence and approximate horizontal position of these facilities. However, SBC will not provide TBE Group, Inc. with utility records nor allow access to their field closures (pedestals/manholes etc.), to help verify the locations of their existing underground facilities. Therefore, TBE is unable to verify the completeness of the SBC locations depicted in accordance with the CI/ASCE Standard 38-02.

Utilities shown on these plans as depicted in the legend have been investigated by TBE Group, Inc in accordance with SUE Industry Standards. All other information shown has been provided to TBE Group, Inc by others. TBE's SUE field investigation was performed 11/22/06 through 1/26/07. Changes to utilities after these dates may have been made and therefore may result in variances from this plan. Consideration should be given to updating this plan if deemed advisable prior to final design and construction.




TBE GROUP, INC.
 CIVIL ENGINEERING * TRANSPORTATION * ENVIRONMENTAL
 * PLANNING * UTILITY ENGINEERING/LOCATING

IL09500266
 TBE SUE PAGE NO: 1 of 1
 Checked by: *[Signature]*

Utility Quality Level "B" : Designating

— T — T —	TELEPHONE
— W — W —	WATER
— G — G —	GAS
— CTV — CTV —	CABLE TELEVISION
— FO — FO —	FIBER OPTIC
— E — E —	ELECTRIC


 205 W. WACKER DRIVE
 SUITE 1020
 CHICAGO, IL 60606
 (312) 704-1970

REVISIONS	
NAME	DATE

ILLINOIS DEPARTMENT OF TRANSPORTATION
 SUE Investigation of Underground Utilities
 US RT. 34 at County Line Road
 Section No. 9-YN2
 Contract No. 62911
 DuPage County
 DRAWN BY : KLC
 SCALE : 1" = 50'