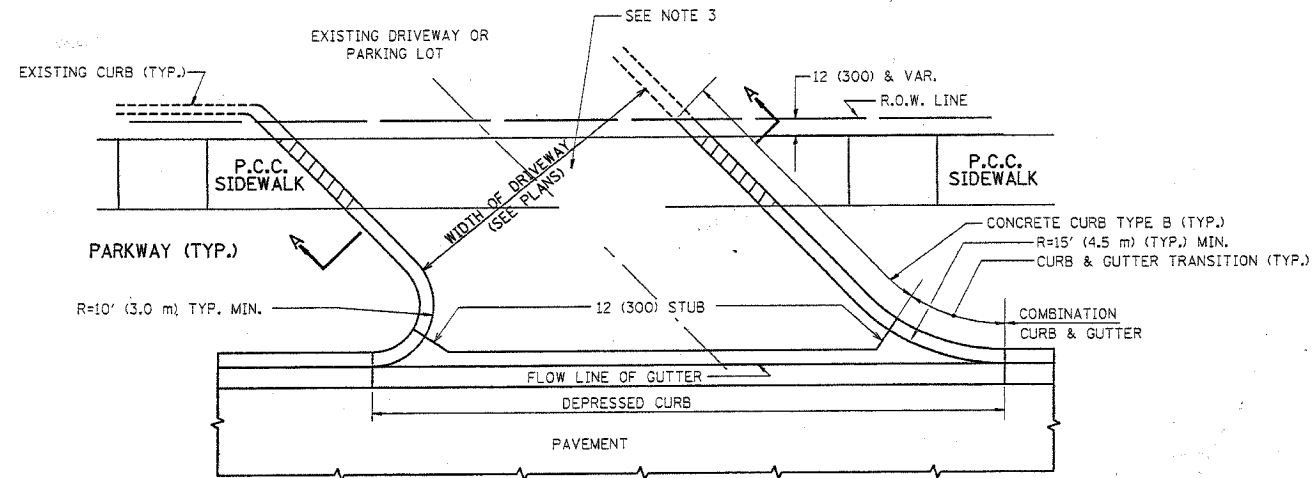
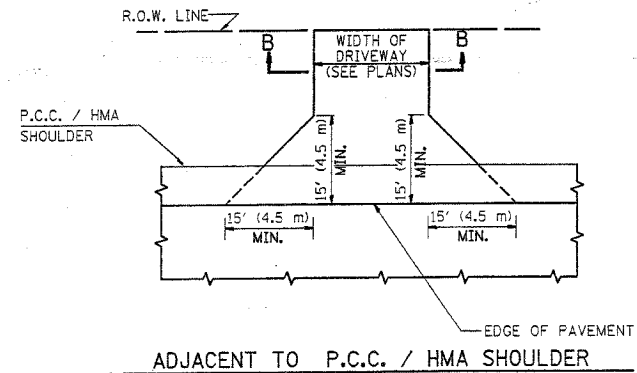


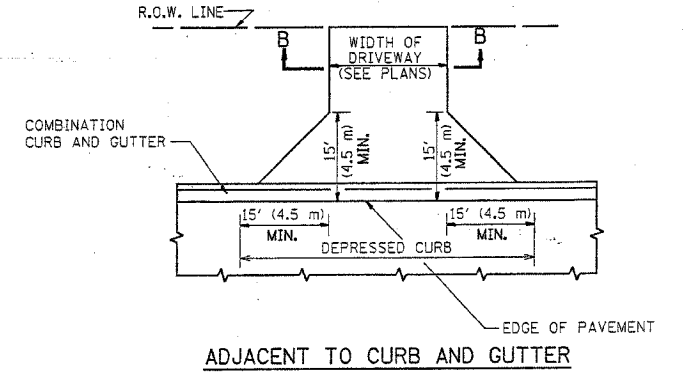
WITH CONCRETE CURB, TYPE B



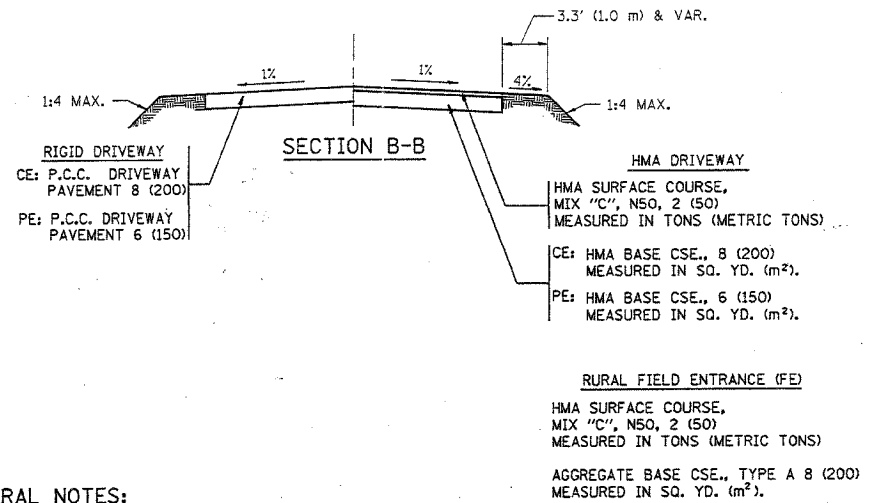
WITH CONCRETE CURB, TYPE B



ADJACENT TO P.C.C. / HMA SHOULDER



ADJACENT TO CURB AND GUTTER



GENERAL NOTES:

DRIVEWAY SLOPES, LOCATIONS, & GEOMETRIC LAYOUT SHALL BE IN ACCORDANCE WITH THE LATEST EDITION OF THE "HANDBOOK FOR POLICY ON PERMITS FOR ACCESS DRIVEWAYS TO STATE HIGHWAYS". FOR FURTHER LAYOUT REQUIREMENTS, REFER TO ILLUSTRATIONS IN THE PERMIT HANDBOOK. DRIVEWAYS SHALL BE REPLACED IN KIND, UNLESS OTHERWISE NOTED ON THE PLANS.

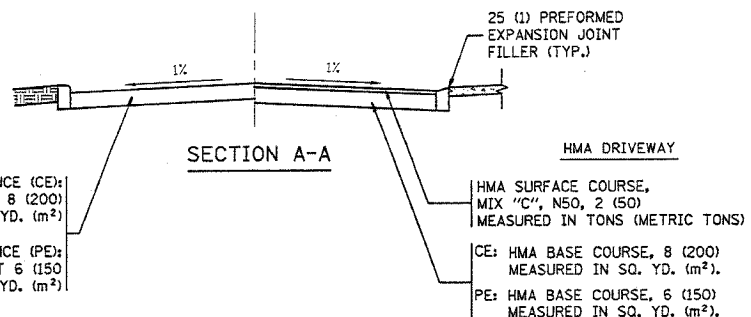
COMMERCIAL DRIVEWAYS SHALL BE CONSTRUCTED WITH CONCRETE CURB, TYPE B RETURNS EXCEPT WHEN THE SIDEWALK EDGE IS 4 FEET (1.2 METERS) OR LESS FROM THE BACK OF CURB, CONSTRUCT A FLARE DRIVEWAY WITHOUT CURB.

THE RESIDENT ENGINEER SHALL CONTACT THE TRAFFIC PERMIT OFFICE AT 847/ 705-4131 FOR ANY QUESTIONS ON DRIVEWAYS SHOWN IN THE PLANS; SPECIFICALLY IN REFERENCE TO ADDITIONAL AND/OR RELOCATION/REMOVAL OF A DRIVEWAY.

COMBINATION CONCRETE CURB & GUTTER SHALL BE MEASURED STRAIGHT ACROSS THE DRIVEWAY. NO ADDITIONAL COMPENSATION WILL BE ALLOWED FOR THE CURB & GUTTER TRANSITION.

1 (25) PREFORMED EXPANSION JOINT FILLER WILL NOT BE PAID SEPARATELY, BUT SHALL BE CONSIDERED INCLUDED IN THE COST OF THE P.C.C. DRIVEWAY PAVEMENT OR P.C.C. SIDEWALK.

WHEN THE P.C.C. SIDEWALK EXTENDS THROUGH THE DRIVEWAY, THE THICKNESS OF THE SIDEWALK IN THE DRIVEWAY AREA SHALL BE THE SAME AS THE DRIVEWAY THICKNESS. SIDEWALK WILL BE PAID FOR AS P.C.C. SIDEWALK OF THE THICKNESS SPECIFIED. SIDEWALK CROSS SLOPE THRU DRIVEWAY AREA TO BE A MAXIMUM OF 1:50.



RIGID DRIVEWAY
 COMMERCIAL ENTRANCE (CE): P.C.C. DRIVEWAY PAVEMENT 8 (200) MEASURED IN SQ. YD. (m²)
 NON-COMMERCIAL ENTRANCE (PE): P.C.C. DRIVEWAY PAVEMENT 6 (150) MEASURED IN SQ. YD. (m²)

HMA DRIVEWAY
 HMA SURFACE COURSE, MIX "C", NSO, 2 (50) MEASURED IN TONS (METRIC TONS)
 CE: HMA BASE COURSE, 8 (200) MEASURED IN SQ. YD. (m²).
 PE: HMA BASE COURSE, 6 (150) MEASURED IN SQ. YD. (m²).

ALL DIMENSIONS ARE IN INCHES (MILLIMETERS) UNLESS OTHERWISE NOTED

ILLINOIS DEPARTMENT OF TRANSPORTATION
**DRIVEWAY DETAILS
 DISTANCE BETWEEN R.O.W. AND
 FACE OF CURB & EDGE OF
 SHOULDER >= 15' (4.5 m)**

| REVISIONS | NAME | DATE |
|-----------|----------------|----------|
| | R. SHAH | 11-04-95 |
| | J. POLLASTRINI | 08-12-96 |
| | J. POLLASTRINI | 12-14-96 |
| | A. ABBAS | 03-21-97 |
| | T. HOLTZ | 04-08-97 |
| | M. GOMEZ | 04-06-01 |
| | P. LAFLEUR | 04-15-03 |
| | R. BORO | 01-01-07 |

SCALE: VERT. NONE
 HORIZ. 1" = 40'-0"
 PLOT DATE: 11/16/2006

DRAWN BY: _____
 CHECKED BY: _____