

STATE OF ILLINOIS  
DEPARTMENT OF TRANSPORTATION

CONTRACT NO. 64450

F.A.P. RTE.	SECTION	COUNTY	TOTAL SHEETS	SHEET NO.
734	(4MFT)R	WINNEBAGO	355	165A
STA.		TO STA.		
FED. ROAD DIST. NO.		ILLINOIS FED. AID PROJECT		

REBAR LAP AND EMBEDMENT										
UNLESS OTHERWISE NOTED										
BAR	#3	#4	#5	#6	#7	#8	#9	#10	#11	
LAP	16"	22"	27"	33"	41"	55"	69"	88"	102"	
EMBED.	8"	10"	13"	18"	25"	32"	41"	52"	64"	

REBAR STANDARD HOOK										
UNLESS OTHERWISE NOTED										
BAR	#3	#4	#5	#6	#7	#8	#9	#10	#11	
90°	6"	8"	10"	12"	14"	16"	19"	22"	24"	

ESTIMATED CONCRETE  
PLACEMENT QUANTITIES

LOCATION	C.Y.
BASE	4.2
WALLS	10.4
TOP	4.2
FILL	1.5

ESTIMATED PROJECT  
QUANTITIES

ITEM	UNITS	QUANTITY
CAST-IN-PLACE CONCRETE	C.Y.	20.3
REINFORCING, STEEL	LBS.	5,493
EXCAVATION	C.Y.	88

BILL OF MATERIAL

BAR	NO.	SIZE	LENGTH	SHAPE
a <sub>1</sub>	46	#6	11'-4"	—
b <sub>1</sub>	176	#5	3'-5"	└
c <sub>1</sub>	88	#5	11'-4"	—
c <sub>2</sub>	176	#5	8'-3"	—
f <sub>1</sub>	4	#5	3'-0"	—
f <sub>2</sub>	8	#5	5'-6"	—
f <sub>3</sub>	4	#5	6'-2"	—
h <sub>1</sub>	46	#8	11'-4"	—
h <sub>2</sub>	4	#8	4'-10"	—

NOTES

CUT REINFORCING STEEL AS REQUIRED TO MAINTAIN A 2" CLEARANCE AROUND PIPES AND OPENING IN TOP. CUT EXISTING PIPE AS REQUIRED TO FIT INSIDE JUNCTION BOX. CUT ALL PIPE SO THEY ARE FLUSH WITH INSIDE WALL OF JUNCTION BOX. EXPOSED EDGES SHALL BE BEVELED 3/4".

LOCATION OF 39" RCP FROM EXISTING PLANS. ELEVATION OF EXISTING 39" RCP IS INTERPOLATED FROM EXISTING PLANS. LOCATION AND/OR ELEVATION MAY HAVE TO BE ADJUSTED WHEN EXCAVATION IS OPEN DURING CONSTRUCTION.

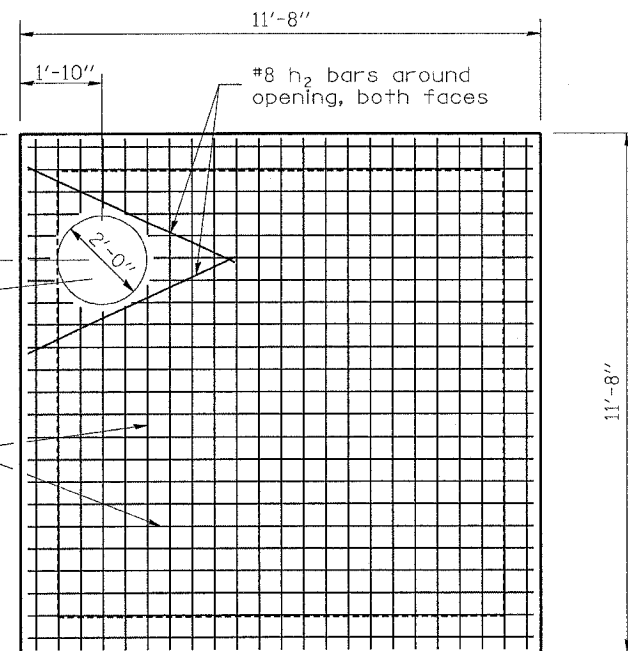
EXCAVATION IS COMPUTED AS 1'-6" OUTSIDE OF THE OUTSIDE WALLS OF THE JUNCTION BOX AND TO THE BOTTOM OF THE EXISTING CONCRETE ROAD. EXCAVATION TO INCLUDE COST OF BACKFILLING AND 6" SAND CUSHION.

ALL CONCRETE TO BE CLASS S1 CONCRETE.

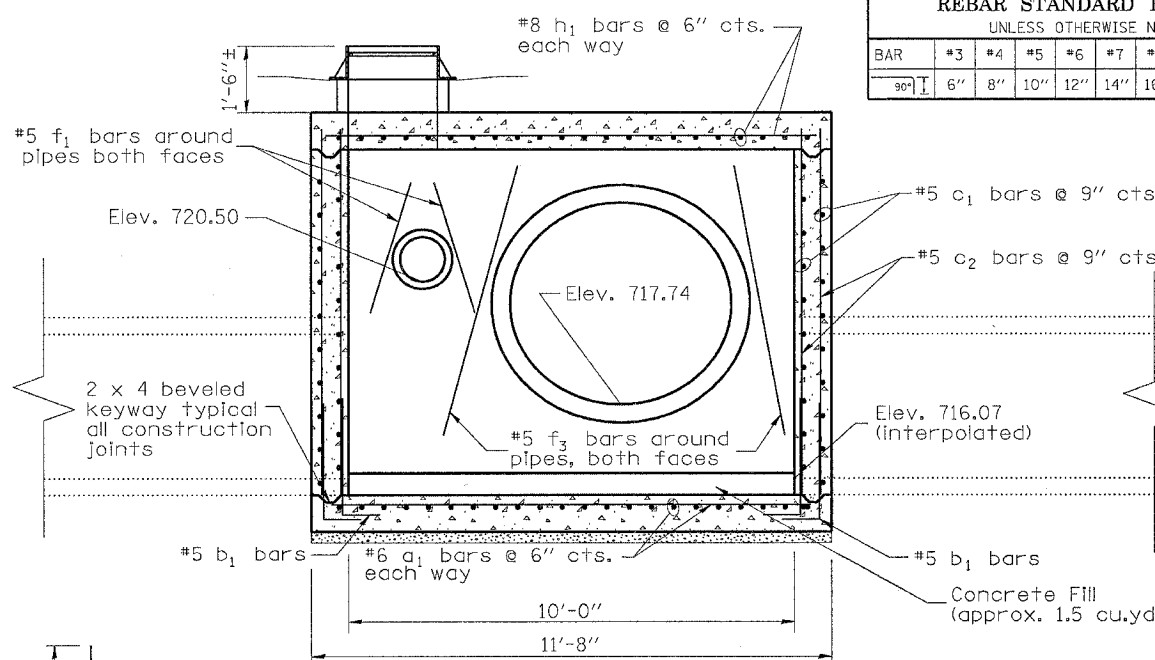
SEE STANDARD 602701 FOR DETAILS OF MANHOLE STEPS. STEPS INCLUDED IN COST OF JUNCTION BOX.

THIS WORK TO BE DONE IN ACCORDANCE WITH SECTIONS 602 AND 604 OF THE STANDARD SPECIFICATIONS.

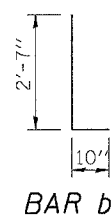
EXCAVATION, STEEL REINFORCING, CONCRETE AND FRAME & LID INCLUDED IN COST OF JUNCTION BOX.



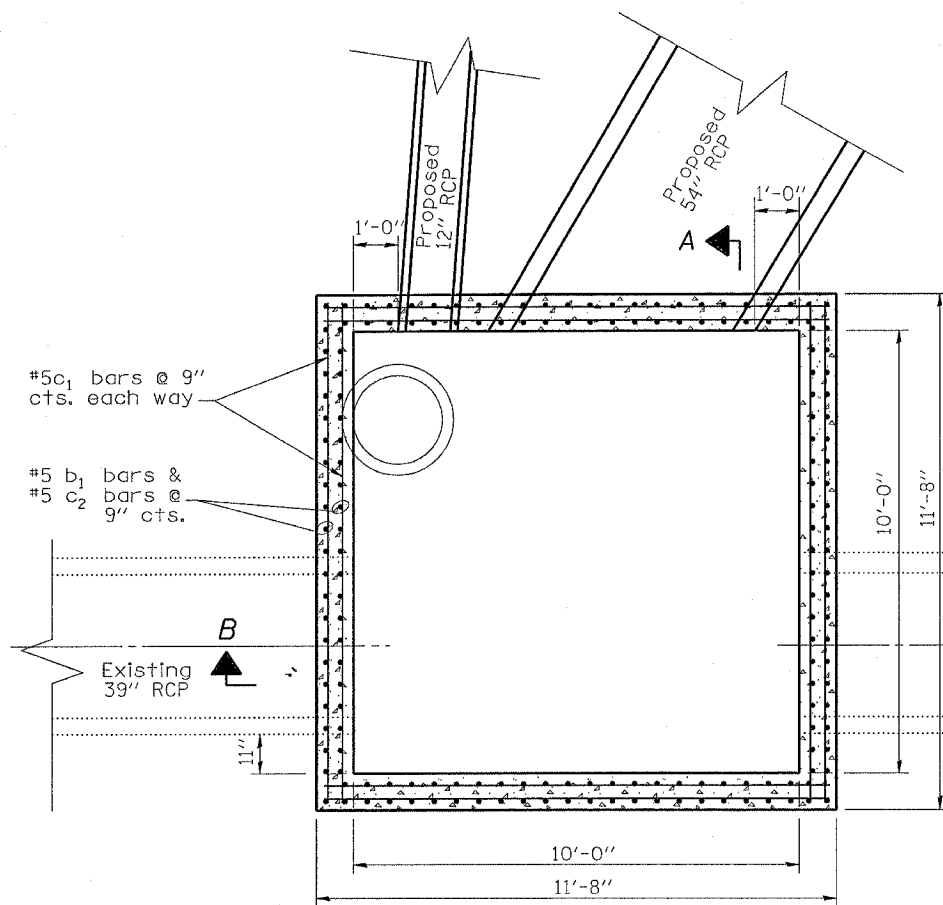
TOP SLAB REINFORCEMENT



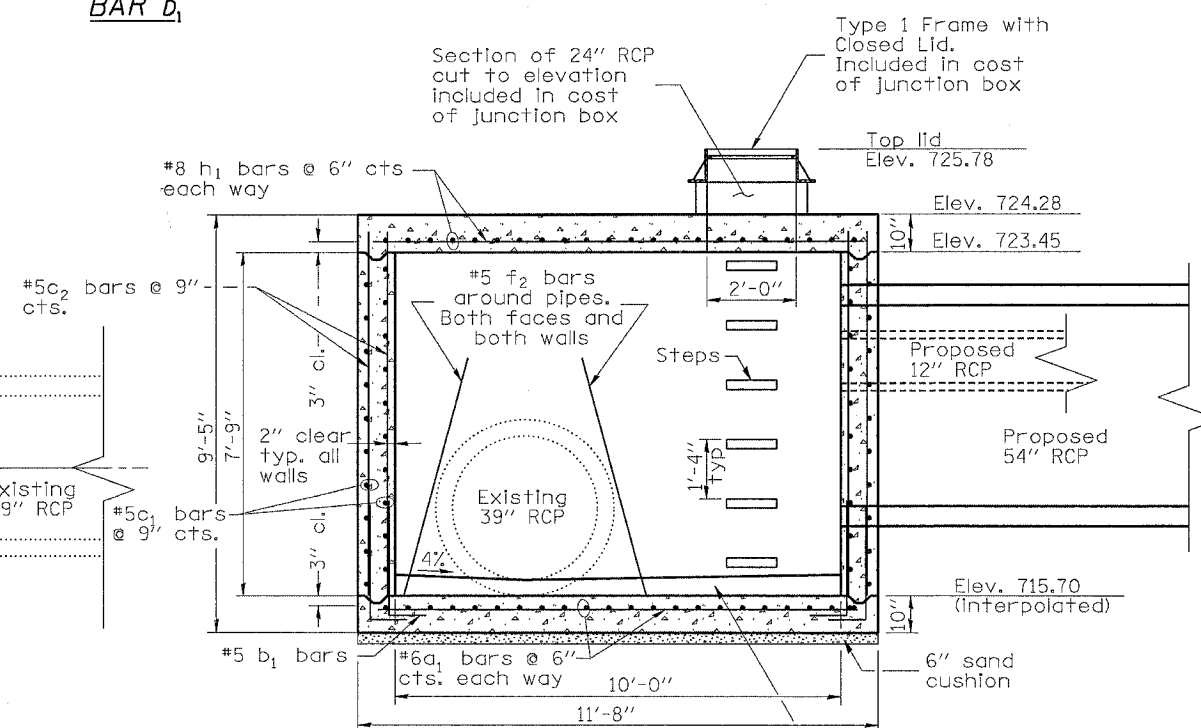
SECTION B-B



BAR b<sub>1</sub>



PLAN



SECTION A-A

△ SHEET ADDED 5/30/07 ADDENDUM

PLOT DATE = Tue May 22 08:54:27 2007  
FILE NAME = s:\projects\2007\64450\165a.dwg  
USER NAME = gromm

JUNCTION BOX