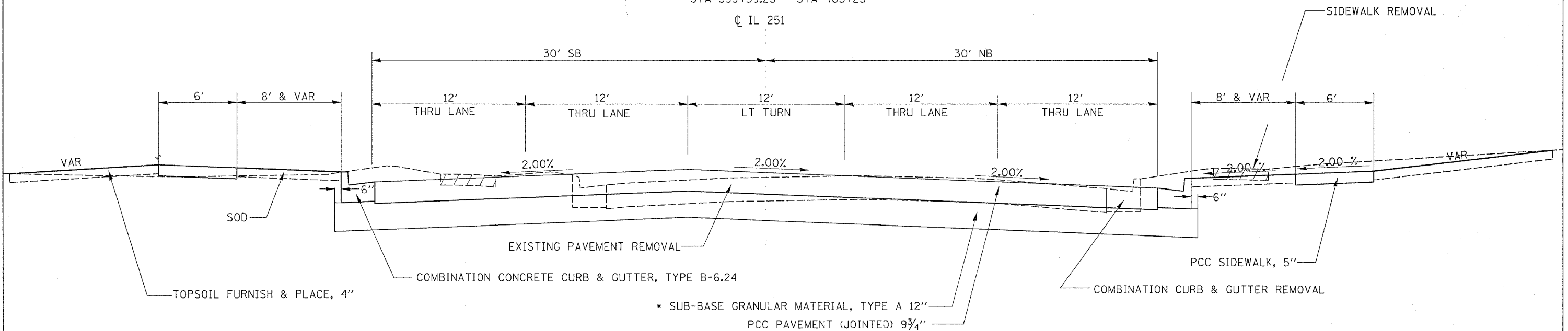


F.A.P. RTE.	SECTION	COUNTY	TOTAL SHEETS	SHEET NO.
734	(4MFT)R	WINNEBAGO	353	14
STA.		TO STA.		
FED. ROAD DIST. NO.		ILLINOIS	FED. AID PROJECT	

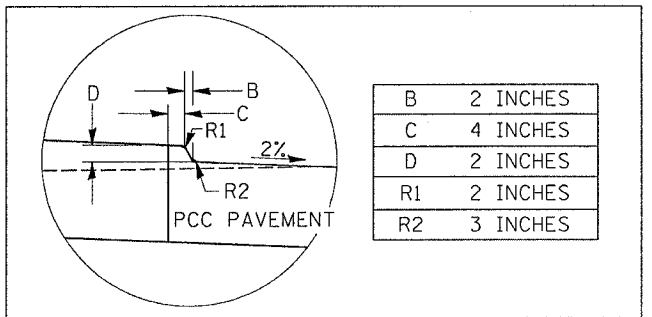
TYPICAL SECTIONS

STA 369+37.67 - STA 374+61.45
 STA 376+12 - STA 378+53.55
 STA 382+00 - STA 386+27.45
 STA 393+33.5 - STA 396+03.66
 STA 399+59.25 - STA 405+25

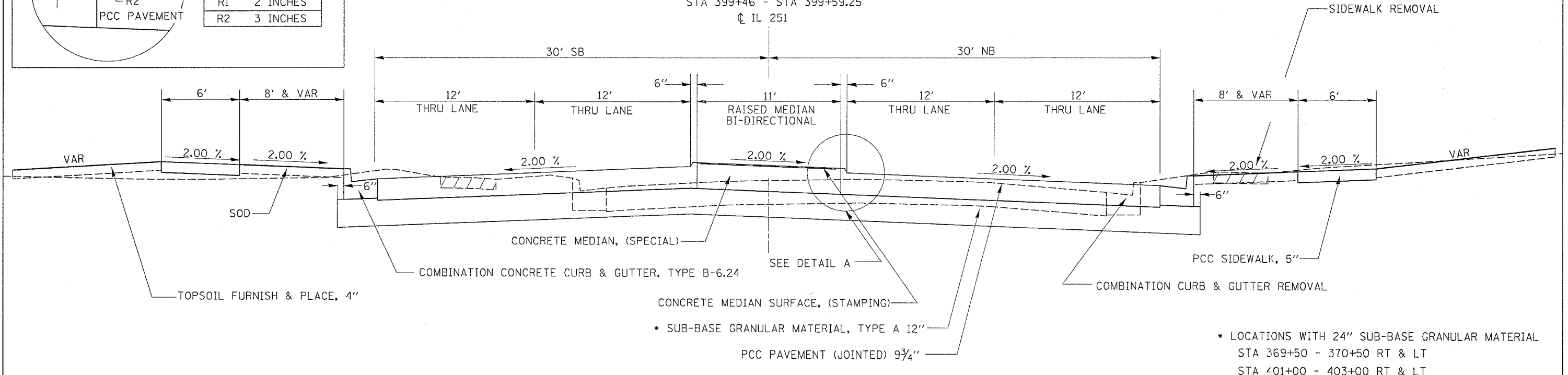


* SUB-BASE GRANULAR MATERIAL, TYPE A 12"
 PCC PAVEMENT (JOINTED) 9 3/4"

DETAIL A



STA 365+50.85 - STA 369+37.67
 STA 374+61.45 - STA 376+12
 STA 378+53.55 - STA 382+00
 STA 390+60 - STA 393+33.5
 STA 399+46 - STA 399+59.25



* SUB-BASE GRANULAR MATERIAL, TYPE A 12"
 PCC PAVEMENT (JOINTED) 9 3/4"

* LOCATIONS WITH 24" SUB-BASE GRANULAR MATERIAL
 STA 369+50 - 370+50 RT & LT
 STA 401+00 - 403+00 RT & LT

PLOT DATE = Fri Apr 27 10:56:45 2007
 FILE NAME = C:\A\21032039\21032039.dwg
 PLOT SCALE = 50.0000 / 1 IN.
 USER NAME = gventen