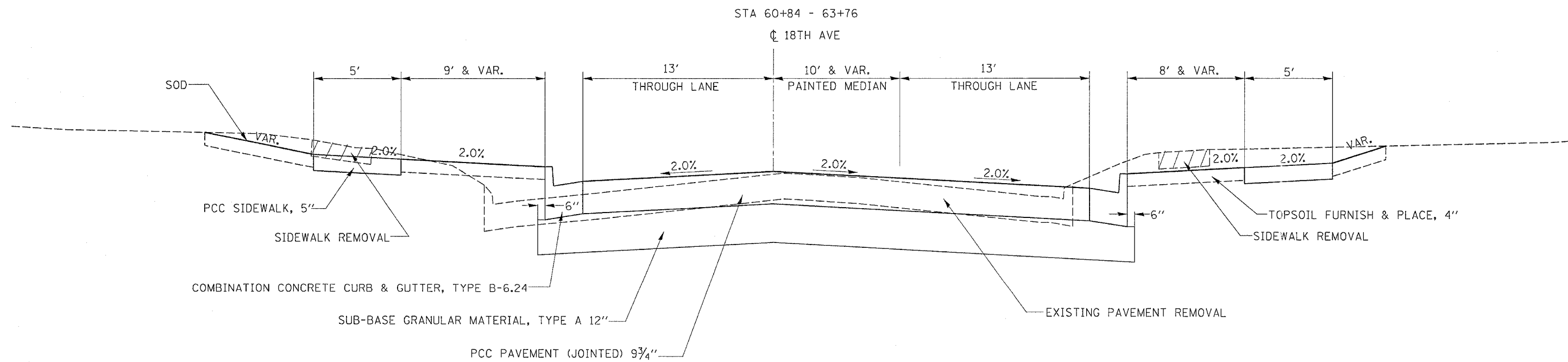
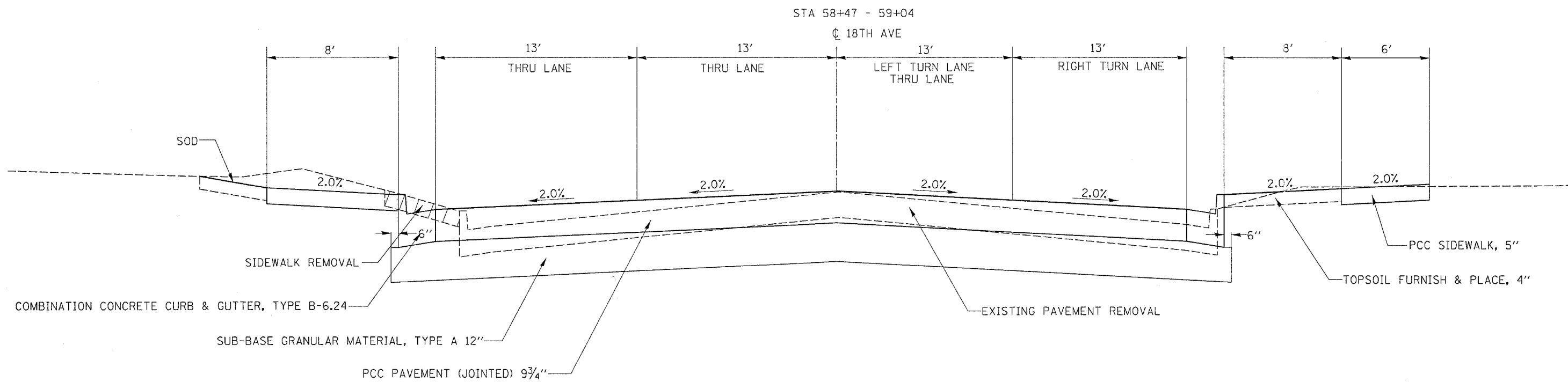


F.A.R. RTE.	SECTION	COUNTY	TOTAL SHEETS	SHEET NO.
734	(4MFT)R	WINNEBAGO	353	18
STA.		TO STA.		
FED. ROAD DIST. NO.	ILLINOIS	FED. AID PROJECT		

TYPICAL SECTIONS



PLOT DATE = Fri Apr 27 18:56:47 2007
 FILE NAME = c:\pcc\pcc\18th\18th\18th\18th.dgn
 USER NAME = granqun