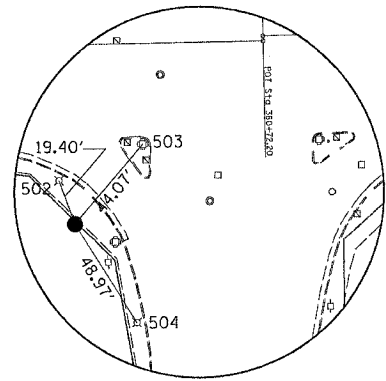
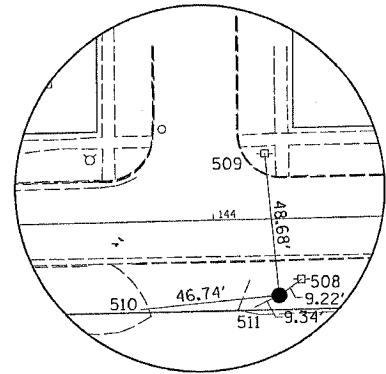


F.A.P. RTE.	SECTION	COUNTY	TOTAL SHEETS	SHEET NO.
734	(4MFT)R	WINNEBAGO	353	50
STA.		TO STA.		
FED. ROAD DIST. NO.		ILLINOIS	FED. AID PROJECT	

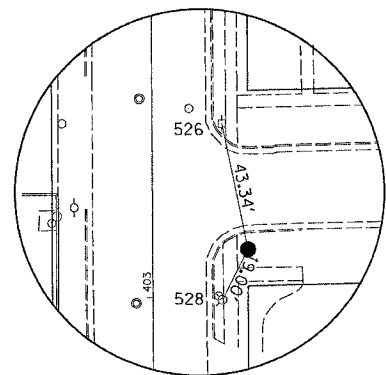
EXISTING HORIZONTAL & VERTICAL CONTROL



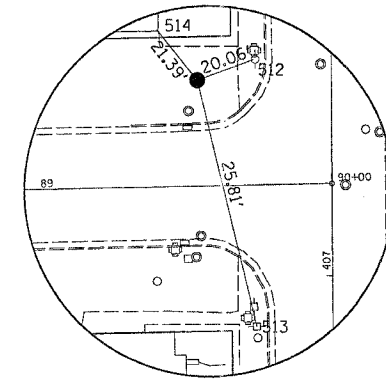
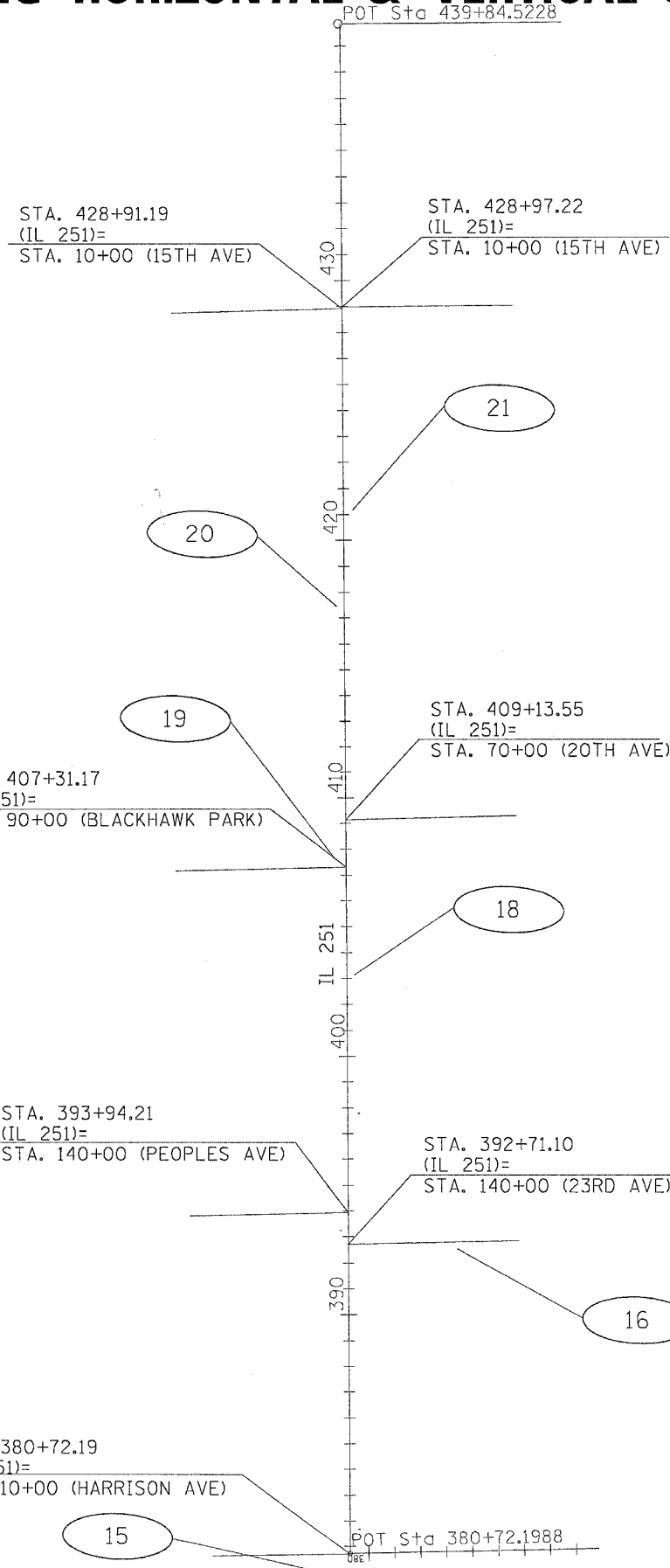
HORIZONTAL CONTROL POINT No. 15



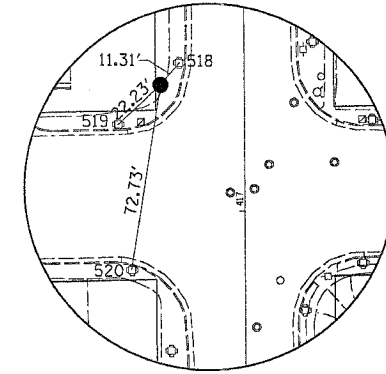
HORIZONTAL CONTROL POINT No. 16



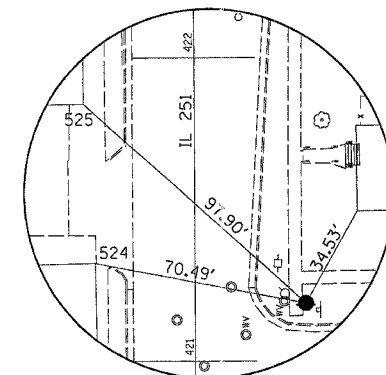
HORIZONTAL CONTROL POINT No. 18



HORIZONTAL CONTROL POINT No. 19



HORIZONTAL CONTROL POINT No. 20



HORIZONTAL CONTROL POINT No. 21

PLOT DATE = Fri, Apr 27 10:45:14 2007
 FILE NAME = c:\projects\2318598\18598.dgn
 PLOT SCALE = 300.0000 / 1 IN.
 USER NAME = gmartyn