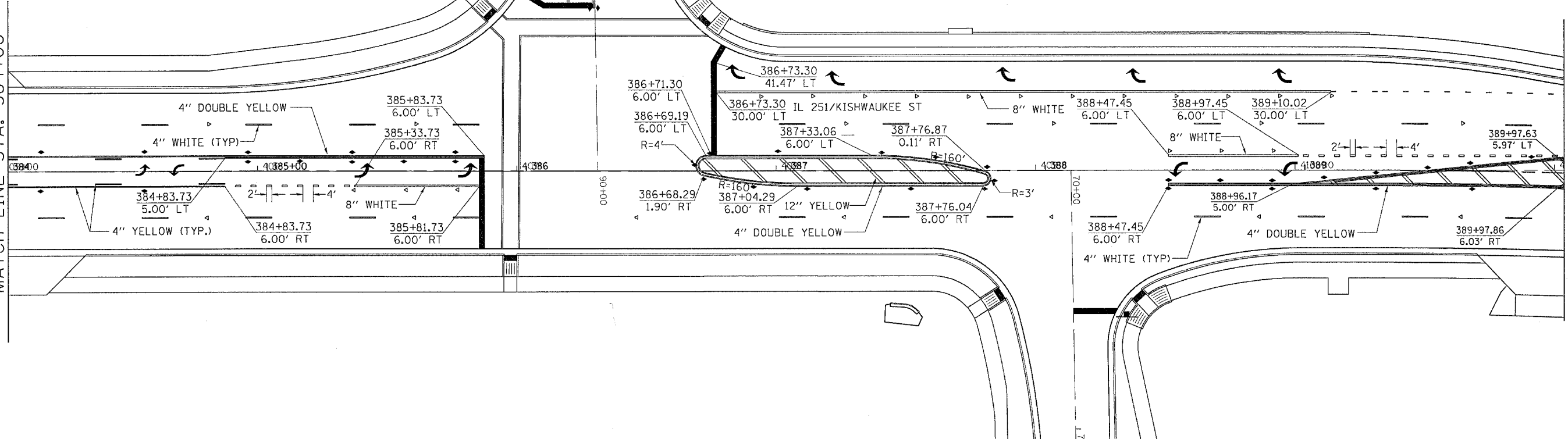


F.A.P. RTE.	SECTION	COUNTY	TOTAL SHEETS	SHEET NO.
734	(4MFT)R	WINNEBAGO	353	223
STA.		TO STA.		
FED. ROAD DIST. NO.		ILLINOIS	FED. AID PROJECT	

PAVEMENT MARKING

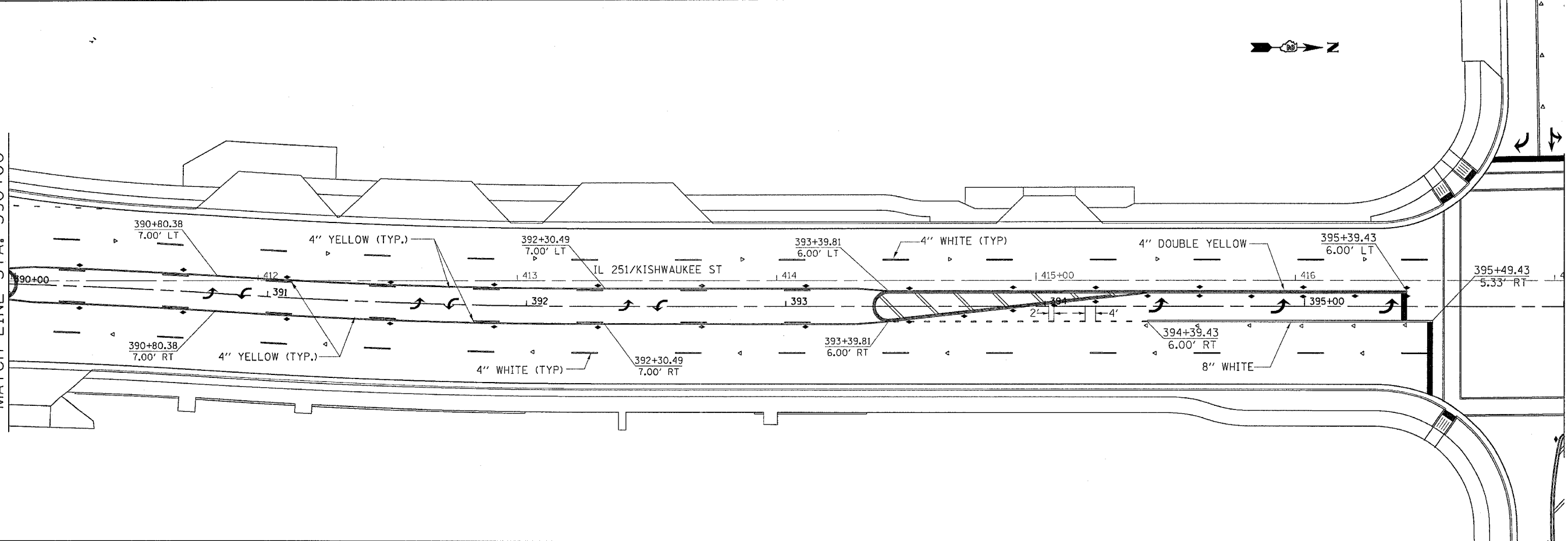
MATCH LINE STA. 384+00

MATCH LINE STA. 390+00



MATCH LINE STA. 390+00

MATCH LINE STA. 396+00



PLOT DATE = Fri, Apr 27 8:54:02 2007
 FILE NAME = I:\1051076\1051076.dgn
 PLOT SCALE = 28.0000 X 1
 USER NAME = grompton