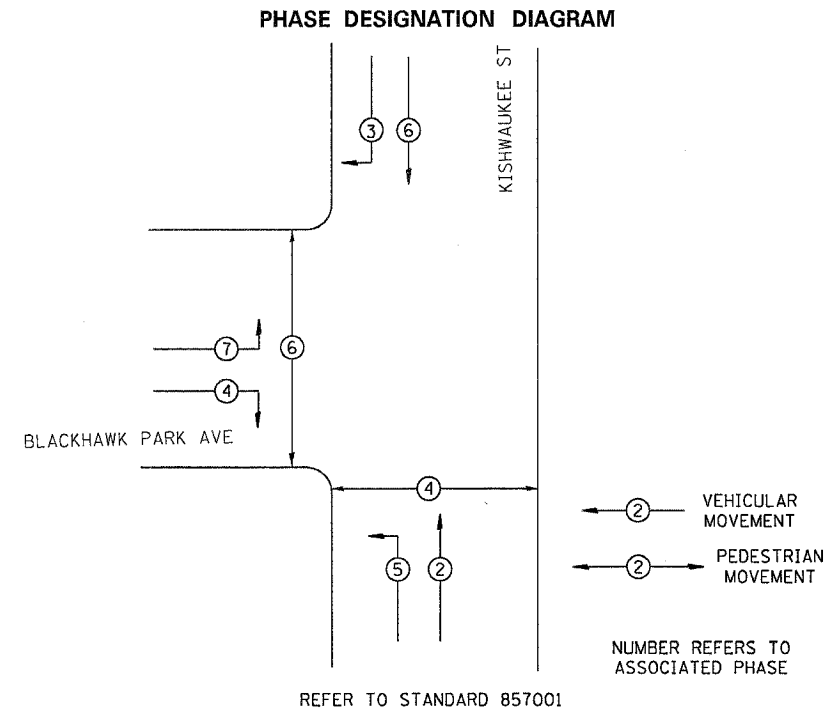
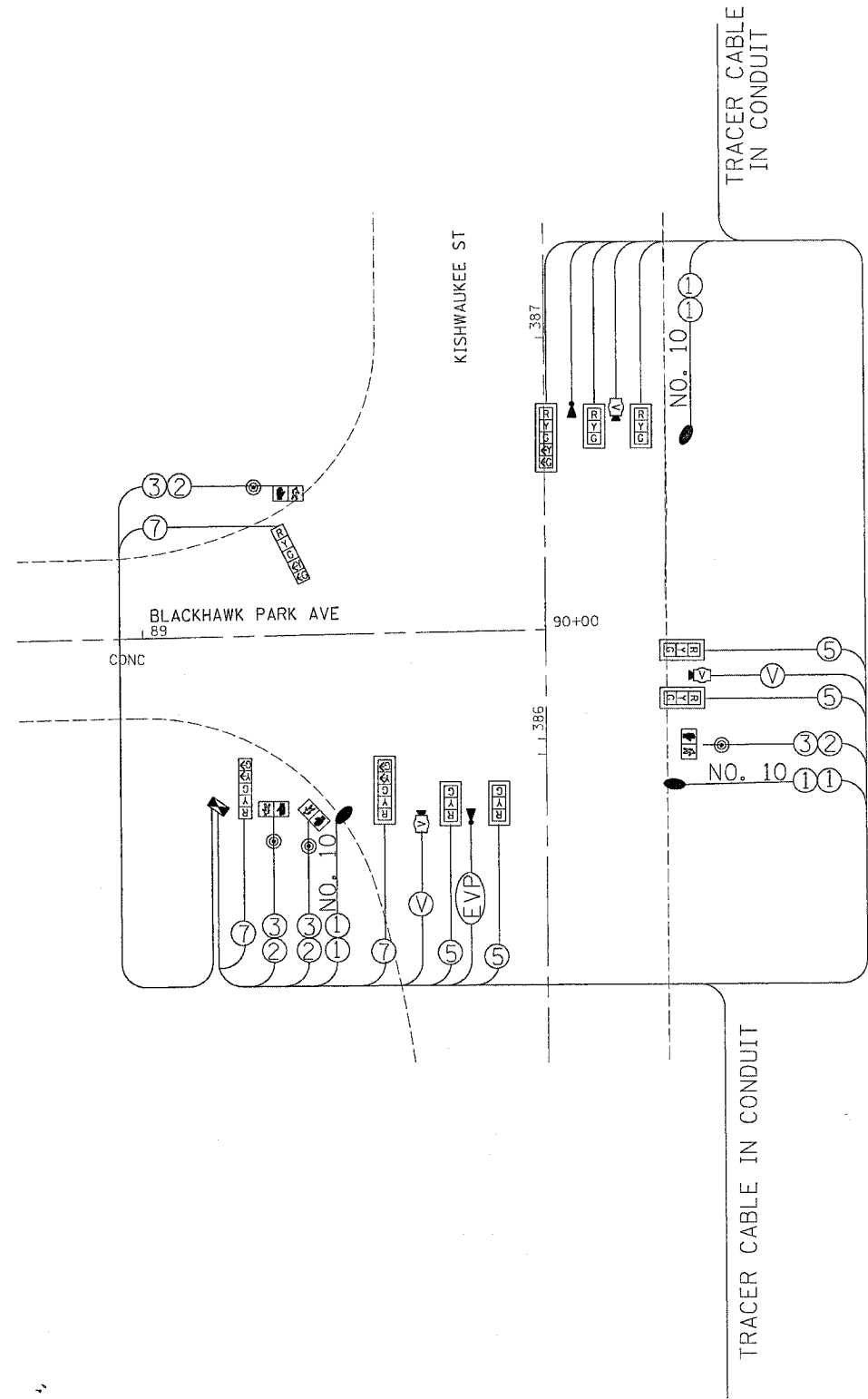


F.A.P. RTE.	SECTION	COUNTY	TOTAL SHEETS	SHEET NO.
734	(4MFT)R	WINNEBAGO	353	252
STA.		TO STA.		
FED. ROAD DIST. NO.	ILLINOIS	FED. AID PROJECT		



DETECTOR	PHASE NO.	DIRECTION
A	6	SB FAR ADVANCE
B	6	SB MID ADVANCE
C	6	SB PRESENT
D	2	NB FAR ADVANCE
E	2	NB MID ADVANCE
F	2	NB PRESENT
G	5	NB LEFT
H	4	EB PRESENT
I	7	EB PRESENT

- LEGEND
- ⊙ INDICATES NUMBER OF NEW CONDUCTORS. ALL CABLE IS NO. 14 EXCEPT AS INDICATED. "P" INDICATES PAIR CABLE.
 - [Symbol] NEW SIGNAL HEAD WITH OR WITHOUT BACKPLATE
 - [Symbol] NEW PEDESTRIAN HEAD - LED
 - [Symbol] PEDESTRIAN PUSHBUTTON
 - [Symbol] LUMINAIRE
 - [Symbol] VIDEO DETECTION (⊙) INDICATES WIRING
 - [Symbol] EMERGENCY VEHICLE PRIORITY INDICATES WIRING

REVISIONS	
NAME	DATE

ILLINOIS DEPARTMENT OF TRANSPORTATION

SCALE: VERT. _____
 HORIZ. _____
 DATE _____

DRAWN BY _____
 CHECKED BY _____

PLOT DATE = Mon Apr 30 10:38:54 2007
 FILE NAME = D:\projects\2007\64450\64450.dgn
 USER NAME = granton