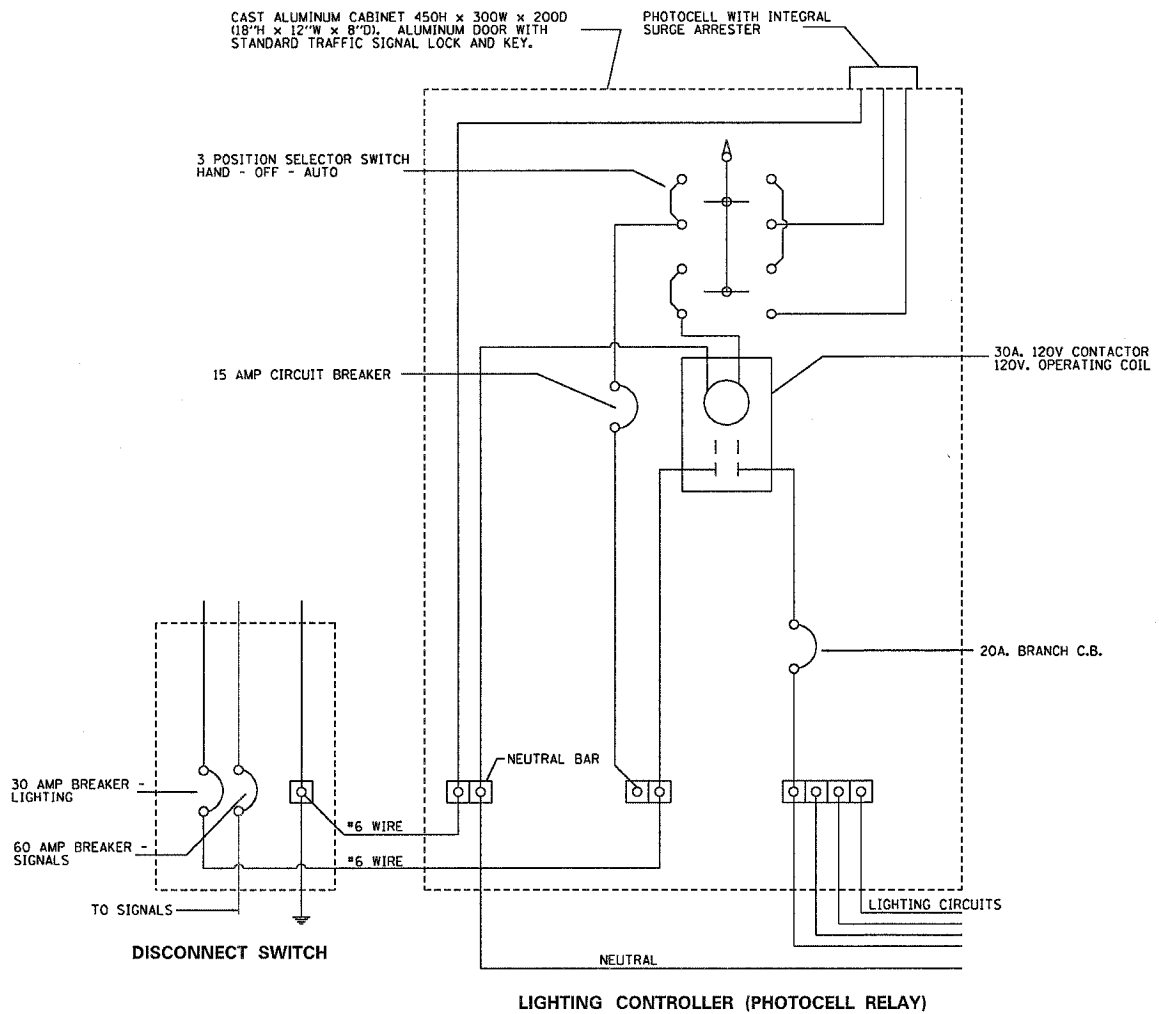
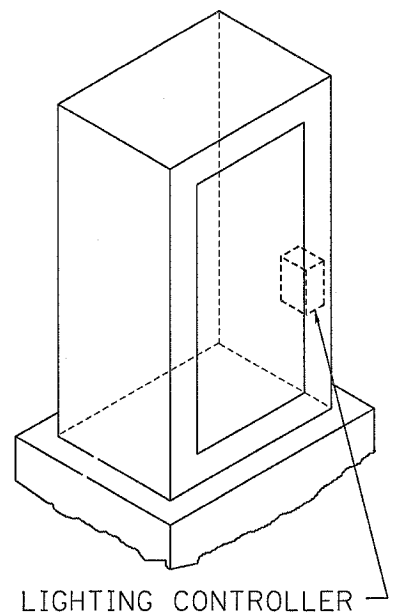


F.A.P. RTE.	SECTION	COUNTY	TOTAL SHEETS	SHEET NO.
734	(4MFT)R	WINNEBAGO	353	257
STA.		TO STA.		
FED. ROAD DIST. NO.		ILLINOIS FED. AID PROJECT		



PLOT DATE = Mon Apr 30 10:38:55 2007
 FILE NAME = c:\projects\218590\018819.dgn
 PLOT SCALE = 28.0000 / 1 IN.
 USER NAME = grantam

REVISIONS	
NAME	DATE

ILLINOIS DEPARTMENT OF TRANSPORTATION

SCALE: VERT. DRAWN BY
 HORIZ. CHECKED BY
 DATE