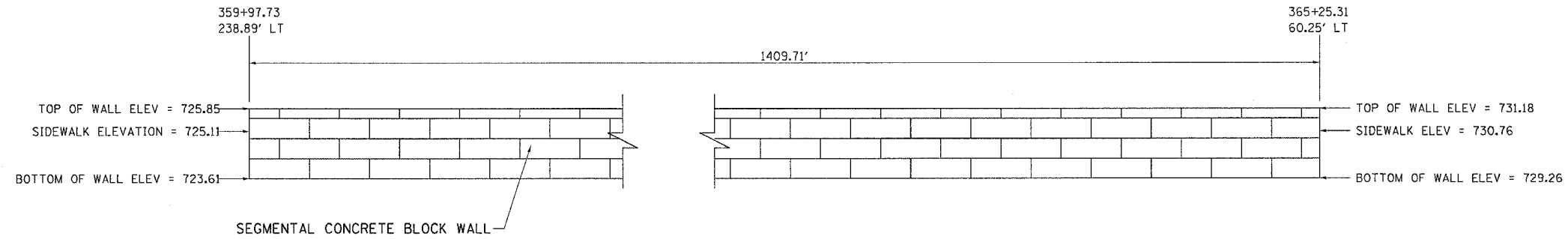
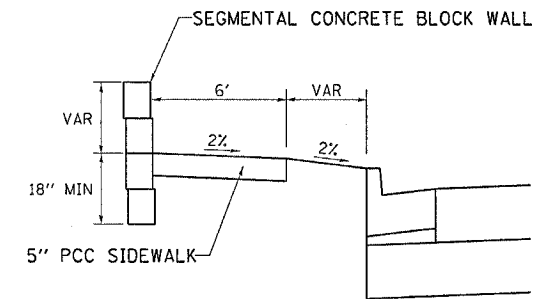
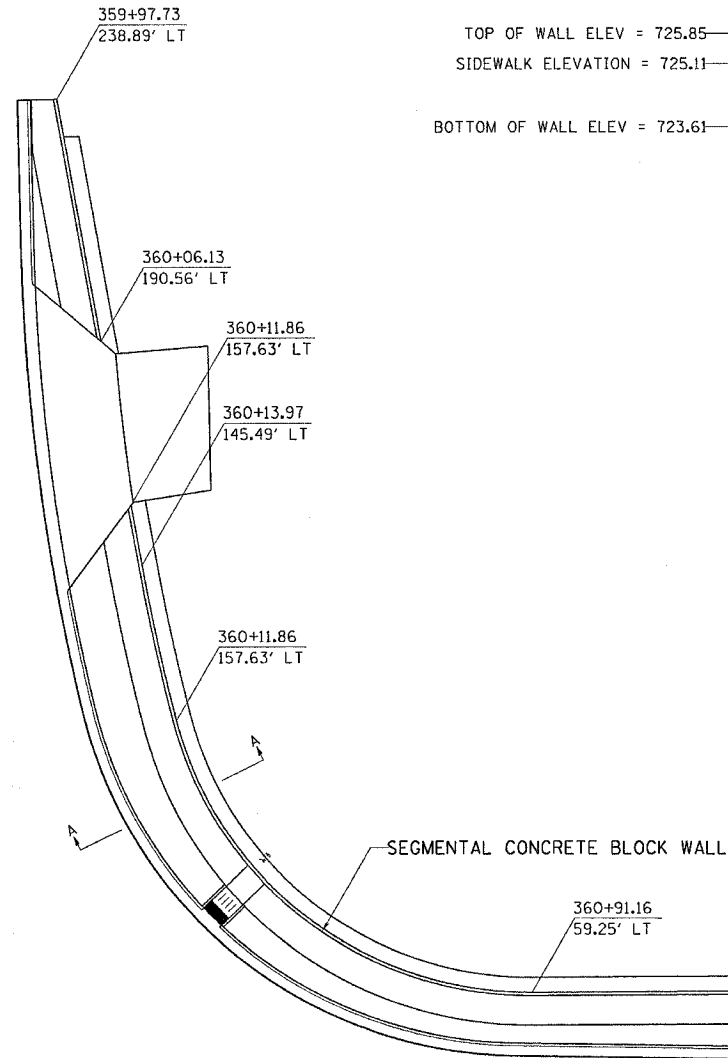


F.A.P. RTE.	SECTION	COUNTY	TOTAL SHEETS	SHEET NO.
734	4(MFT)R	WINNEBAGO	353	262
STA.		TO STA.		
FED. ROAD DIST. NO.		ILLINOIS	FED. AID PROJECT	

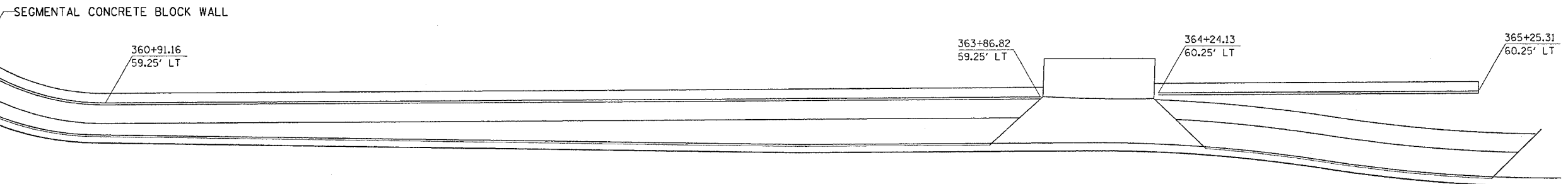
# SEGMENTAL CONCRETE BLOCK WALL LT STA 359+97.73 TO LT STA 365+25.31



**ELEVATION**



**SECTION A-A**



**PLAN**

**NOTES:**

DIMENSIONS WILL VARY DEPENDING ON WHICH TYPE OF BLOCK IS USED.

THIS WORK SHALL BE PAID FOR AT THE CONTRACT PRICE PER SQUARE FOOT FOR:  
SEGMENTAL CONCRETE BLOCK WALL.

SEE SPECIAL PROVISIONS FOR OTHER DETAILS.

PLOT DATE = Fri, Aug 27 15:23:08 2007  
 FILE NAME = C:\pwork\143216889\16889.dgn  
 PLOT SCALE = 50.0000' / IN.  
 USER NAME = duncant6

REVISIONS		ILLINOIS DEPARTMENT OF TRANSPORTATION
NAME	DATE	
		SCALE: VERT.      DRAWN BY HORIZ.              CHECKED BY DATE