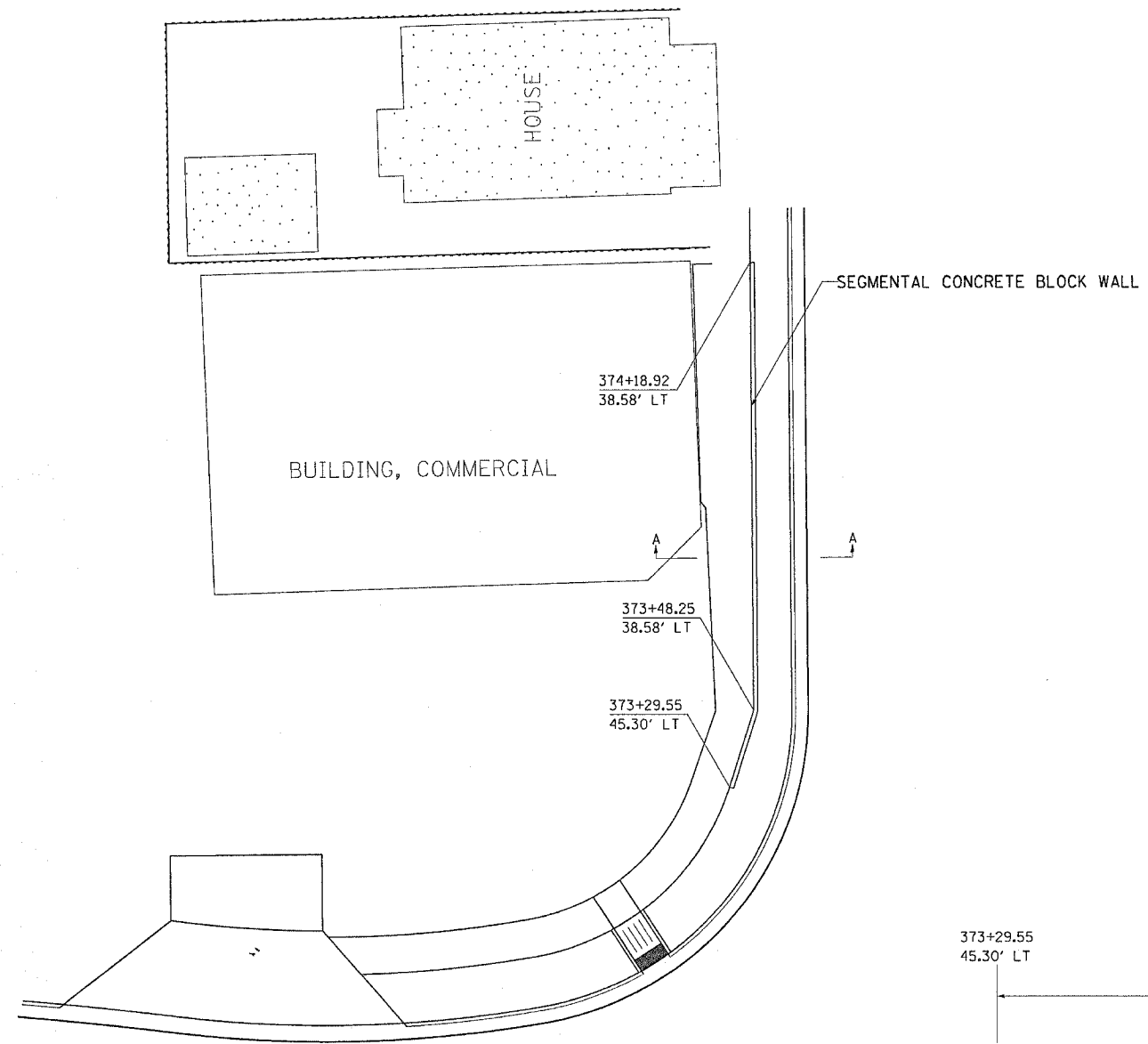


| F.A.P. RTE. | SECTION | COUNTY | TOTAL SHEETS | SHEET NO. |
|---------------------|---------|-----------|------------------|-----------|
| 734 | 4(MFT)R | WINNEBAGO | 353 | 264 |
| STA. | | TO STA. | | |
| FED. ROAD DIST. NO. | | ILLINOIS | FED. AID PROJECT | |

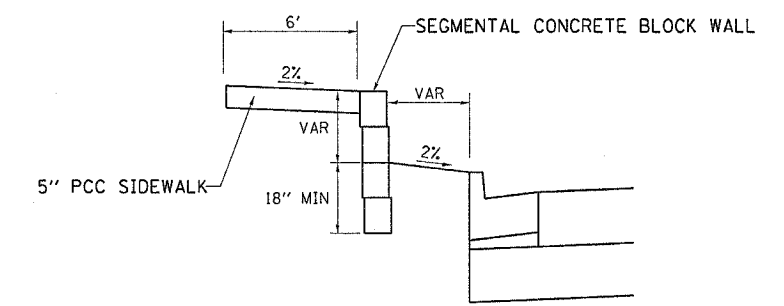
SEGMENTAL CONCRETE BLOCK WALL

LT STA 373+29.55 TO LT STA 374+18.92

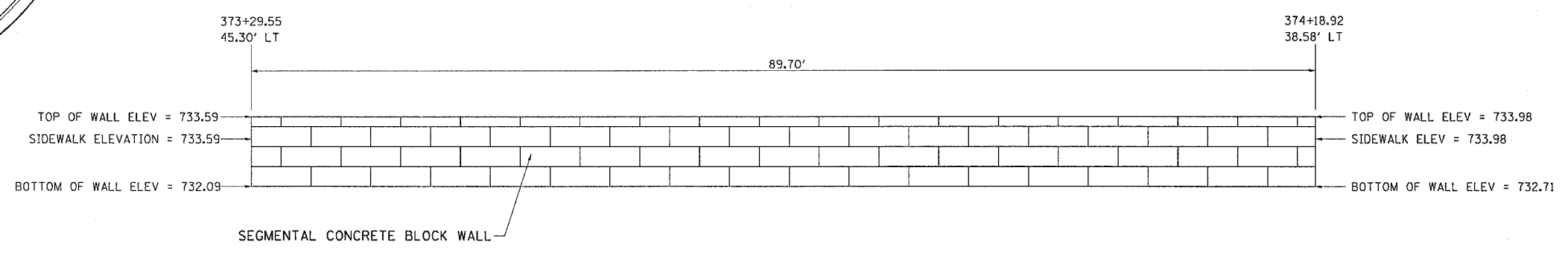


PLAN

NOTES:
 DIMENSIONS WILL VARY DEPENDING ON WHICH TYPE OF BLOCK IS USED.
 THIS WORK SHALL BE PAID FOR AT THE CONTRACT PRICE PER SQUARE FOOT FOR:
 SEGMENTAL CONCRETE BLOCK WALL.
 SEE SPECIAL PROVISIONS FOR OTHER DETAILS.



SECTION A-A



ELEVATION

PLOT DATE = Fri, Apr 27 16:20:18 2007
 FILE NAME = c:\pwworkspace\16216978\16216978.dwg
 PLOT SCALE = 50.0000 / IN.
 USER NAME = duncantf

| REVISIONS | | ILLINOIS DEPARTMENT OF TRANSPORTATION |
|-----------|------|--|
| NAME | DATE | |
| | | SCALE: VERT. DRAWN BY HORIZ. CHECKED BY DATE |
| | | |
| | | |
| | | |
| | | |
| | | |
| | | |
| | | |
| | | |
| | | |