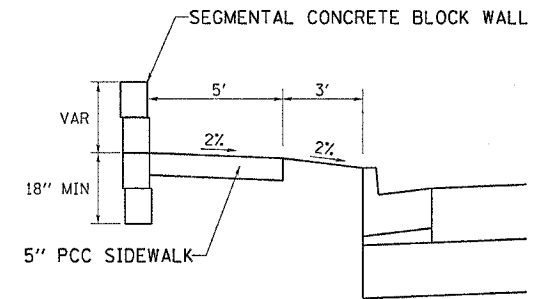
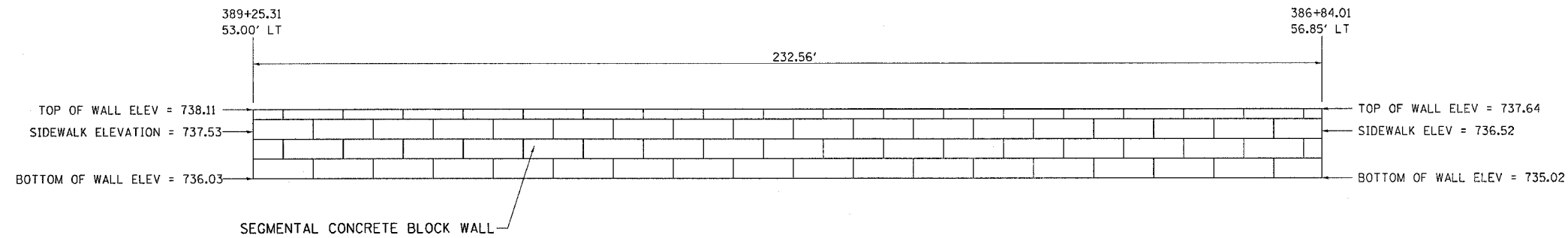


F.A.P. RTE.	SECTION	COUNTY	TOTAL SHEETS	SHEET NO.
734	4(MFT)R	WINNEBAGO	353	267
STA.		TO STA.		
FED. ROAD DIST. NO.		ILLINOIS	FED. AID PROJECT	

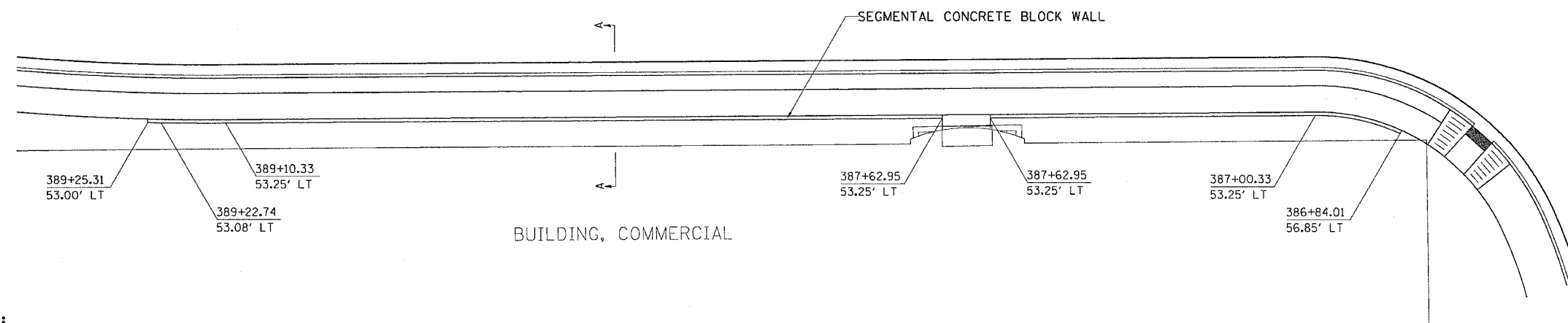
# SEGMENTAL CONCRETE BLOCK WALL LT STA 386 + 84.01 TO LT STA 389 + 25.31



**SECTION A-A**



**ELEVATION**



**PLAN**

**NOTES:**

DIMENSIONS WILL VARY DEPENDING ON WHICH TYPE OF BLOCK IS USED.

THIS WORK SHALL BE PAID FOR AT THE CONTRACT PRICE PER SQUARE FOOT FOR:  
SEGMENTAL CONCRETE BLOCK WALL.

SEE SPECIAL PROVISIONS FOR OTHER DETAILS.

REVISIONS		ILLINOIS DEPARTMENT OF TRANSPORTATION
NAME	DATE	
		SCALE: VERT. DATE HORIZ. DRAWN BY CHECKED BY

**SEGMENTAL CONCRETE BLOCK WALL**

PLOT DATE = Fri Apr 27 15:23:05 2007  
FILE NAME = I:\2118196\158\158.dgn  
SCALE = 1/8" = 1'-0"  
USER NAME = dunnart