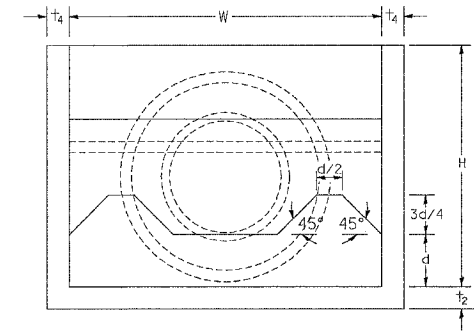
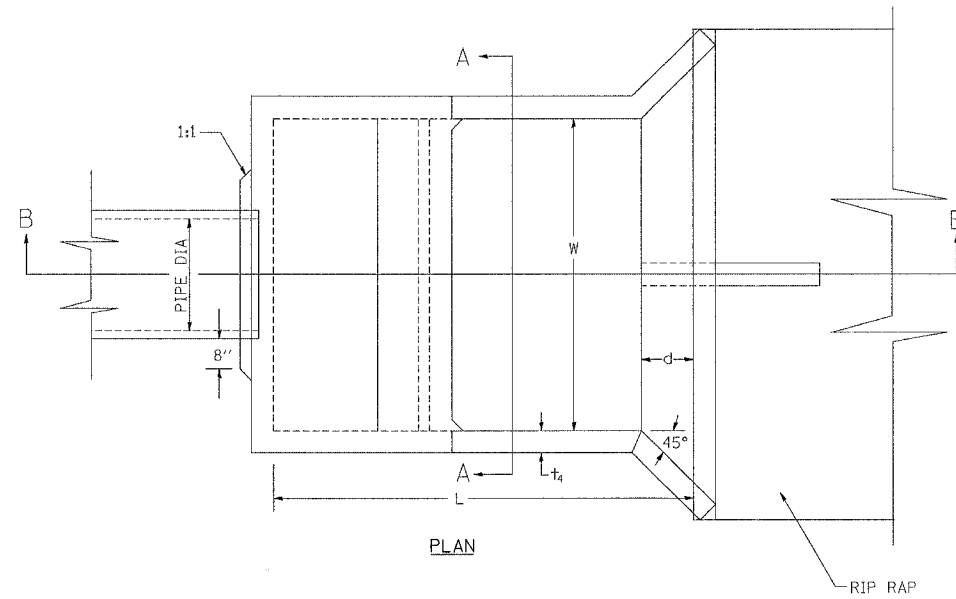
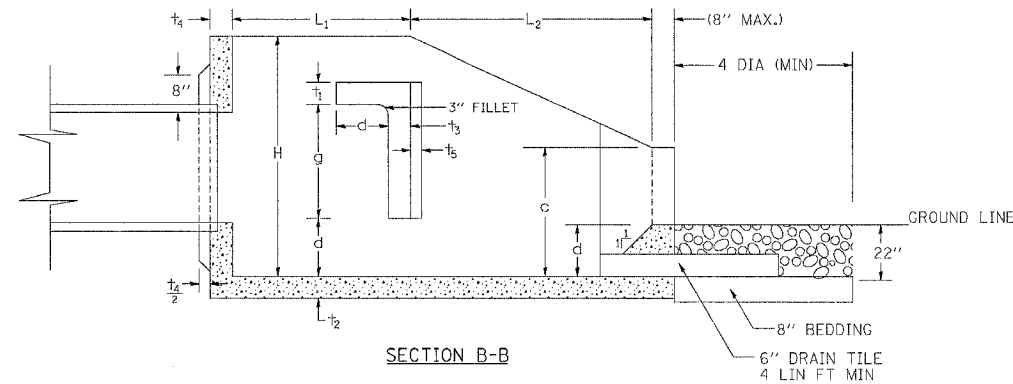


F.A.P. RTE.	SECTION	COUNTY	TOTAL SHEETS	SHEET NO.
*	**	CARROLL	548	210
STA.		TO STA.		
FED. ROAD DIST. NO.		ILLINOIS FED. AID PROJECT		
• ROUTE 17 (US 52 / IL 64) •• (1,2)RS & (3,1)RS-1				

# BOX CULVERT END SECTION



SECTION A-A



SECTION B-B

**DESIGN STRESSES**

~~fs = 20,000 psi~~  
~~fs = 1,000 psi/W~~  
~~ws = 7.5 psi/ft/dia~~  
~~ti = 10~~

**GENERAL NOTES**

THIS END SECTION WILL BE PRECAST.

THIS WORK SHALL BE DONE IN ACCORDANCE WITH SECTION 540 OF THE STANDARD SPECIFICATIONS FOR ROAD AND BRIDGE CONSTRUCTION ADOPTED JANUARY 1, 2007.

THIS WORK SHALL CONSIST OF FURNISHING ALL LABOR, MATERIALS, AND EQUIPMENT NECESSARY FOR THE CONSTRUCTION AND INSTALLING A BOX CULVERT END SECTION, OF THE CULVERT NUMBER SPECIFIED, AND INCLUDE AXCAVATION AND COLLARS.

THIS WORK SHALL BE PAID FOR AT THE CONTRACT UNIT PRICE PER EACH BOX CULVERT END SECTION, CULVERT OF THE CULVERT NUMBER SPECIFIED.

REVISIED 5/30/07

REVISIONS		ILLINOIS DEPARTMENT OF TRANSPORTATION
NAME	DATE	
		VERT. SCALE: HORIZ. DATE DRAWN BY CHECKED BY

Station	W ft	H ft	L ft	g ft	d ft	L <sub>1</sub> ft	L <sub>2</sub> ft	c ft	t <sub>3</sub> ft	t <sub>2</sub> ft	t <sub>1</sub> ft	t <sub>4</sub> ft	t <sub>5</sub> ft
173+15	6.0	4.5833	8.0000	2.2500	1.0000	3.4166	4.5833	2.5000	0.5000	0.5000	0.5000	0.5000	0.2500
301+71	6.0	4.5833	8.0000	2.2500	1.0000	3.4166	4.5833	2.5000	0.5000	0.5000	0.5000	0.5000	0.2500
344+96	6.0	4.5833	8.0000	2.2500	1.0000	3.4166	4.5833	2.5000	0.5000	0.5000	0.5000	0.5000	0.2500
380+84	4.0	3.0833	5.4166	1.5000	0.6666	2.3333	3.0833	1.6666	0.5000	0.5000	0.5000	0.5000	0.2500
630+74	7.0	9.7500	9.4166	4.9100	2.0000	4.0000	5.4166	5.9166	0.5000	0.5000	0.5000	0.5000	0.2500
646+52	7.0	9.7500	9.4166	4.9100	2.0000	4.0000	5.4166	5.9166	0.5000	0.5000	0.5000	0.5000	0.2500
58+66	7.0	9.7500	9.4166	4.9100	2.0000	4.0000	5.4166	5.9166	0.5000	0.5000	0.5000	0.5000	0.2500

PLOT DATE = Fri Mar 23 18:45:17 2007  
 FILE NAME = c:\nrc\p\p\ss\207480\14807480.dgn  
 USER = hnsrctm