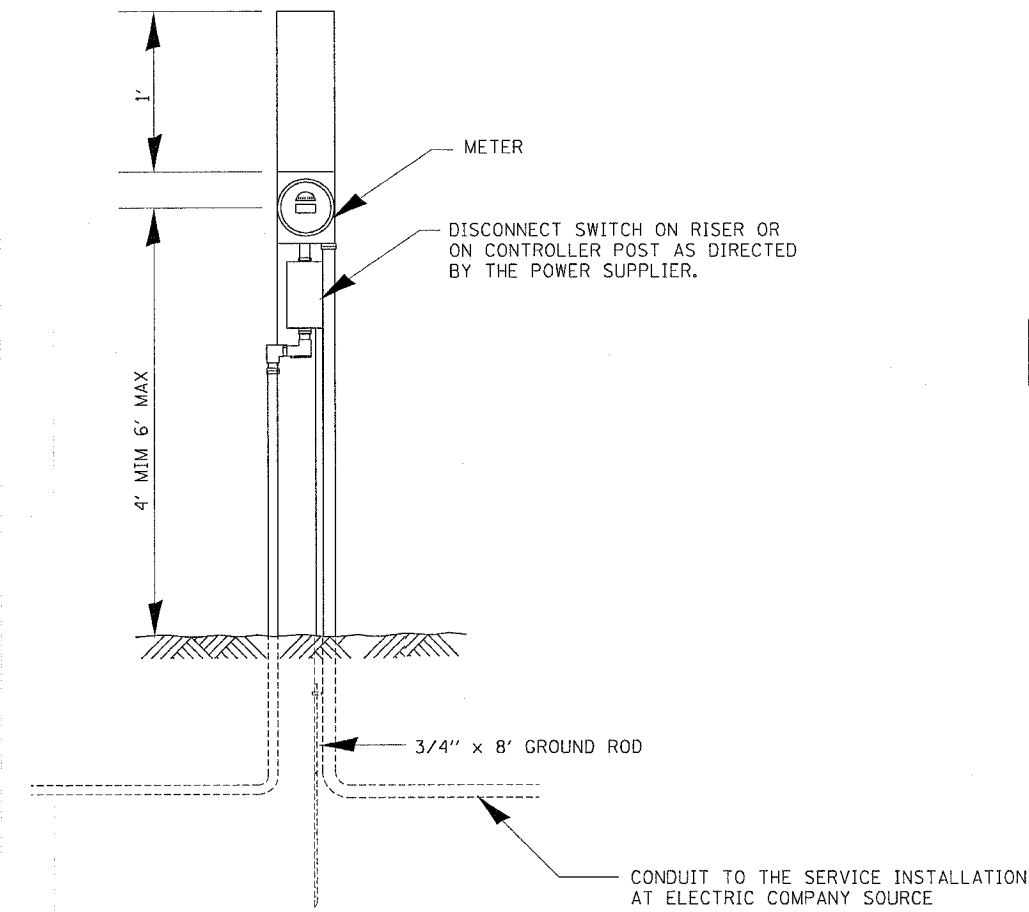
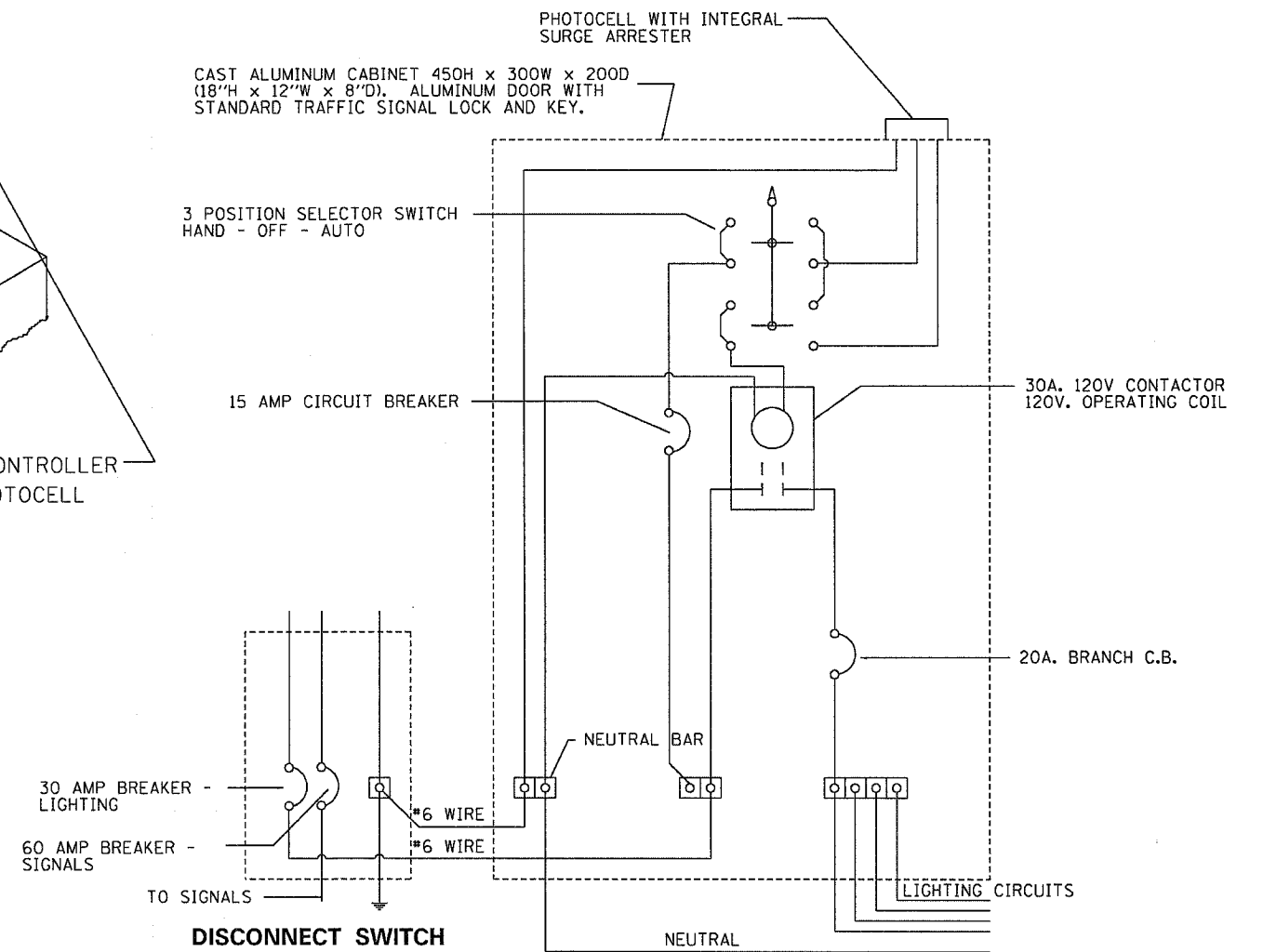
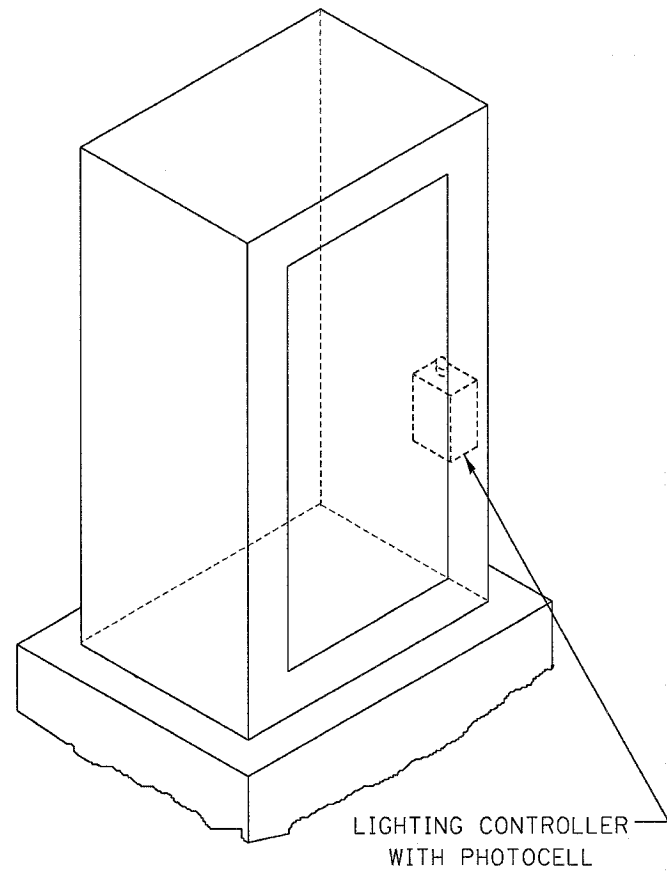


F.A.U. RTE.	SECTION	COUNTY	TOTAL SHEETS	SHEET NO.
5789	(33&40)-1-FR	ROCK ISLAND	30	22
STA.		TO STA.		
FED. ROAD DIST. NO.	ILLINOIS	FED. AID PROJECT		



ELECTRIC SERVICE INSTALLATION, SPECIAL
(SEE SPECIAL PROVISIONS)
(DETAIL ONLY SHOW GENERAL SERVICE WHICH VARIES BY PROVIDERS)



LIGHTING CONTROLLER (PHOTOCELL RELAY)

PLOT DATE = Wed Mar 21 09:24:37 2007
 PLOT SCALE = 50
 USER NAME = meg111

REVISIONS	
NAME	DATE

ILLINOIS DEPARTMENT OF TRANSPORTATION

SCALE: VERT.
HORIZ.

DRAWN BY
CHECKED BY