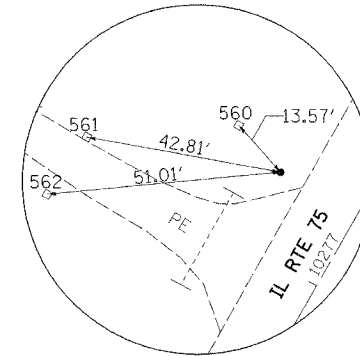
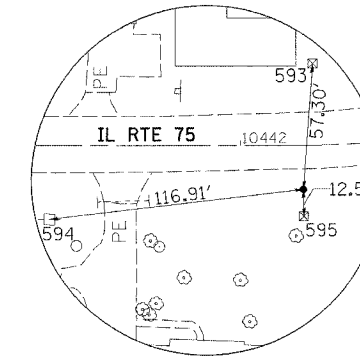


SURVEY WORK POINTS

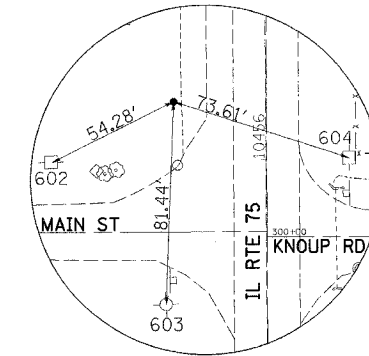
POINT	NORTH	EAST	ELEVATION	CHAIN	STATION	OFFSET	DESCRIPTION
152	2091293.4760	2477467.9890	916.6080	IL 75	10552+79.55	22.0596' LT	TOPO SURVEY POINT, NAIL
153	2092401.9690	2480753.5000	907.1100	IL 75	10587+47.02	17.5966' LT	TOPO SURVEY POINT, NAIL
154	2093462.1160	2485106.3760	907.3410	IL 75	10632+48.89	310.0498' LT	TOPO SURVEY POINT, PK NAIL
184	2090084.7140	2474354.0766	886.7361	IL 75	10519+27.42	0.1643' RT	POC, NAIL
185	2090247.9529	2474584.3886	883.1456	IL 75	10522+09.96	0.4393' LT	POC, NAIL
186	2090350.7792	2474780.7904	881.1812	IL 75	10524+31.72	0.5104' LT	POC, NAIL
187	2090303.0087	2474774.4378	878.7939	IL 75	10524+05.73	40.2496' RT	ROW MARKER, NAIL
188	2090425.6986	2475096.2353	873.7841	IL 75	10527+54.76	38.7201' RT	ROW MARKER, NAIL
189	2090465.1239	2475091.0235	878.1984	IL 75	10527+62.48	0.2926' LT	POT, NAIL
190	2090461.2993	2475295.1857	862.6339	IL 75	10529+54.61	68.8460' RT	ROW MARKER, NAIL
191	2090803.6483	2476090.4995	914.8866	IL 75	10538+17.73	0.1784' LT	POT, NAIL
192	2091291.9047	2477531.0361	917.2880	IL 75	10553+38.76	0.3394' LT	POT, NAIL



HORIZONTAL CONTROL POINT NO. 90043



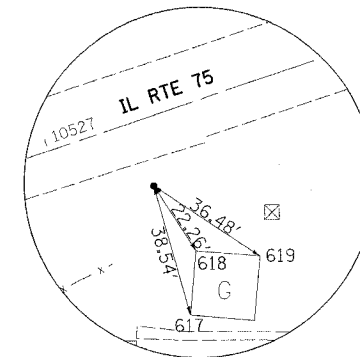
HORIZONTAL CONTROL POINT NO. 90066



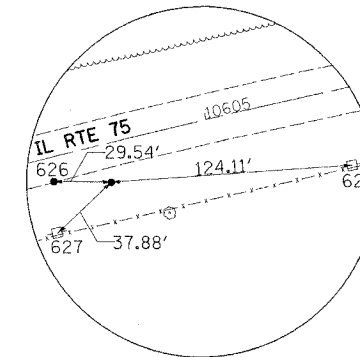
HORIZONTAL CONTROL POINT NO. 90070

HORIZONTAL CONTROL POINTS

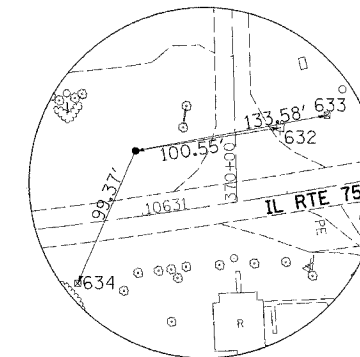
POINT	NORTH	EAST	ELEVATION	CHAIN	STATION	OFFSET	DESCRIPTION
90043	2072005.4110	2459633.9340	879.2420	IL 75	10277+17.77	19.2064' LT	GPS CONTROL POINT
90066	2083811.6970	2470506.4880	915.1330	IL 75	10442+28.61	20.0320' RT	GPS CONTROL POINT
90070	2084928.9440	2470990.5560	906.6530	IL 75	10456+23.30	37.1483' LT	GPS CONTROL POINT
90080	2090433.3460	2475062.4670	878.5340	IL 75	10527+25.23	20.6408' RT	GPS CONTROL POINT
90090	2092899.4010	2482375.6080	941.8390	IL 75	10604+44.95	19.9102' RT	GPS CONTROL POINT
90094	2093178.2920	2485008.4120	896.4560	IL 75	10631+01.07	44.8880' LT	GPS CONTROL POINT
91009	2058651.8620	2457171.5180	856.3560	IL 75	10135+87.12	21.0208' RT	GPS CONTROL POINT
91010	2061317.9130	2457069.0690	885.0010	IL 75	10162+54.86	17.1750' LT	GPS CONTROL POINT
91011	2063919.1860	2457042.9590	899.9050	IL 75	10188+56.01	19.3856' RT	GPS CONTROL POINT
91012	2065729.8160	2456961.5180	887.9030	IL 75	10206+68.08	18.4148' LT	GPS CONTROL POINT
91013	2066707.4530	2456933.8610	878.1510	IL 75	10216+46.10	22.5131' LT	GPS CONTROL POINT
91014	2067754.8250	2456941.3710	850.5550	IL 75	10226+83.91	46.3470' LT	GPS CONTROL POINT
91015	2068623.4220	2457579.0570	865.1190	IL 75	10237+52.01	23.2097' LT	GPS CONTROL POINT
91016	2069365.8580	2458163.6490	859.2560	IL 75	10246+96.98	16.0232' RT	GPS CONTROL POINT
91017	2073333.5670	2460441.5980	924.5230	IL 75	10292+71.64	23.3222' RT	GPS CONTROL POINT
91018	2074298.9160	2460970.4920	884.3450	IL 75	10303+68.24	32.4835' LT	GPS CONTROL POINT
91019	2074860.0570	2461718.4820	881.1680	IL 75	10312+99.28	18.8158' RT	GPS CONTROL POINT
91020	2075974.9770	2463161.9800	838.1400	IL 75	10331+23.21	18.8797' RT	GPS CONTROL POINT
91021	2076890.9300	2464351.1290	859.0290	IL 75	10346+24.22	20.9223' RT	GPS CONTROL POINT
91022	2077953.5730	2465657.3640	861.5710	IL 75	10363+03.70	37.1016' RT	GPS CONTROL POINT
91023	2079478.2120	2466708.3500	892.6930	IL 75	10381+52.27	37.8755' RT	D2-NETWORK MONUMENT
91024	2080575.2830	2467366.6890	881.3640	IL 75	10394+29.65	34.7408' LT	GPS CONTROL POINT
91025	2081726.4640	2468216.3340	913.2850	IL 75	10408+59.36	20.3980' RT	GPS CONTROL POINT
91026	2083487.9750	2469430.8060	941.9190	IL 75	10429+98.91	33.9604' RT	GPS CONTROL POINT
91027	2083831.7010	2469720.3780	932.9200	IL 75	10434+49.78	31.8520' LT	GPS CONTROL POINT
91028	2083957.7860	2470872.6270	906.8050	IL 75	10446+17.59	18.7326' RT	GPS CONTROL POINT
91029	2084405.8940	2471067.9280	900.1880	IL 75	10450+99.86	37.5052' RT	GPS CONTROL POINT
91030	2085861.3220	2471034.4890	923.0690	IL 75	10465+51.22	28.5207' LT	GPS CONTROL POINT
91031	2086744.6510	2471583.4240	938.4840	IL 75	10475+86.35	20.5188' LT	GPS CONTROL POINT
91032	2087358.2860	2472125.4540	931.2400	IL 75	10484+03.46	21.1558' RT	GPS CONTROL POINT
91033	2089361.7260	2473704.3630	934.9900	IL 75	10509+54.28	19.5409' LT	GPS CONTROL POINT
91034	2090135.9150	2474388.1330	885.9370	IL 75	10519+85.70	18.6248' LT	GPS CONTROL POINT
91035	2090888.7110	2476264.1250	920.8610	IL 75	10540+09.47	25.0253' LT	GPS CONTROL POINT
91036	2091777.1030	2479034.0280	944.4240	IL 75	10569+17.96	22.4379' RT	GPS CONTROL POINT
91037	2093034.0820	2482930.8650	935.9660	IL 75	10610+14.90	24.2628' LT	GPS CONTROL POINT



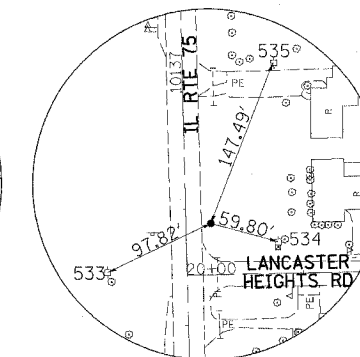
HORIZONTAL CONTROL POINT NO. 90080



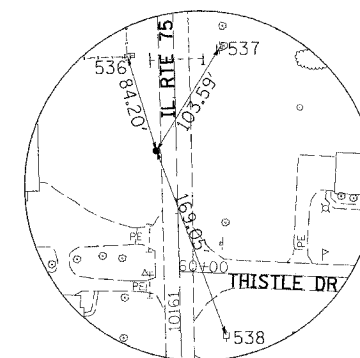
HORIZONTAL CONTROL POINT NO. 90090



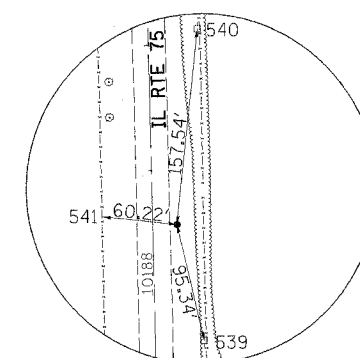
HORIZONTAL CONTROL POINT NO. 90094



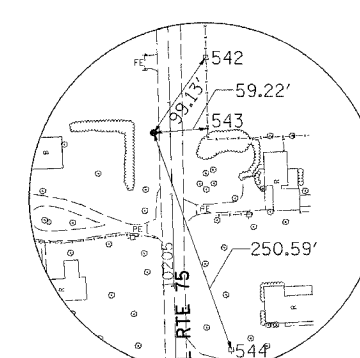
HORIZONTAL CONTROL POINT NO. 91009



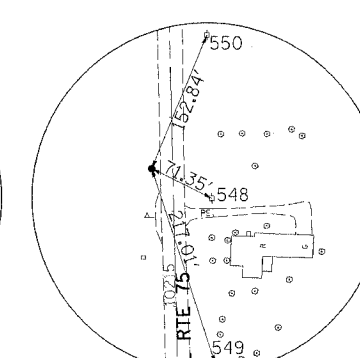
HORIZONTAL CONTROL POINT NO. 91010



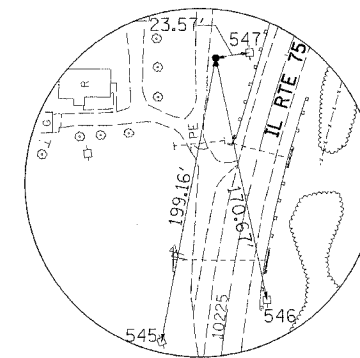
HORIZONTAL CONTROL POINT NO. 91011



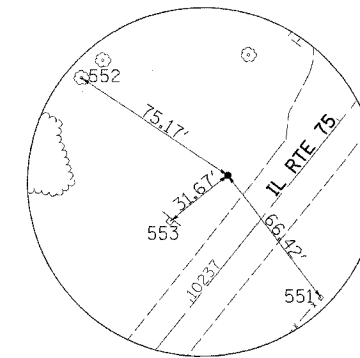
HORIZONTAL CONTROL POINT NO. 91012



HORIZONTAL CONTROL POINT NO. 91013



HORIZONTAL CONTROL POINT NO. 91014



HORIZONTAL CONTROL POINT NO. 91015

REVISIONS	
NAME	DATE

ILLINOIS DEPARTMENT OF TRANSPORTATION
F.A.P. ROUTE 505 (IL 75)

**ILLINOIS ROUTE 75
HORIZONTAL AND VERTICAL
CONTROL SHEETS**

SCALE: VERT. _____
HORIZ. _____
DATE: 12/6/06

DRAWN BY JMC
CHECKED BY DWB