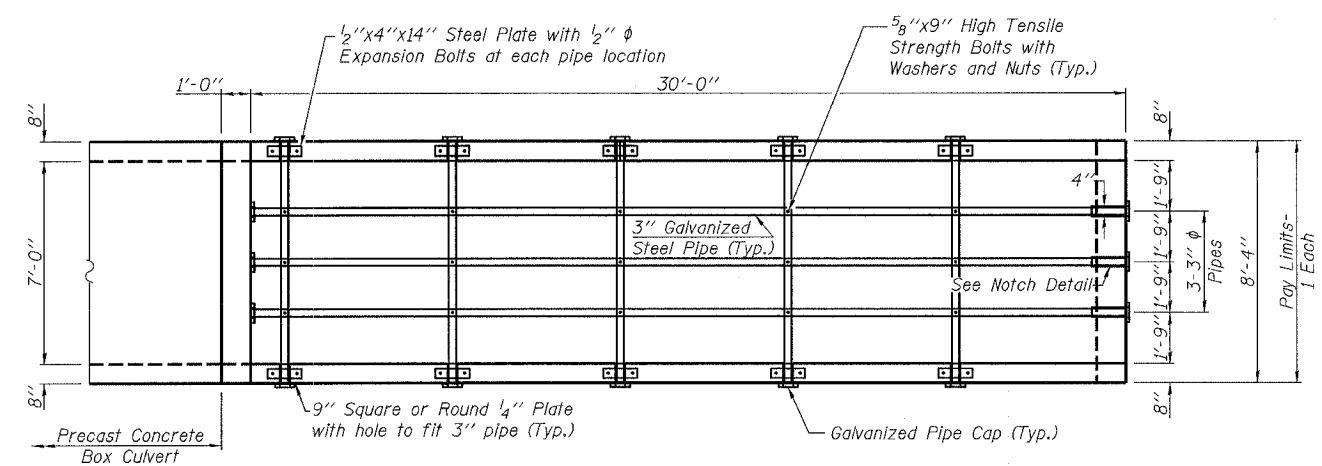
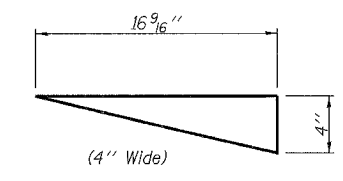


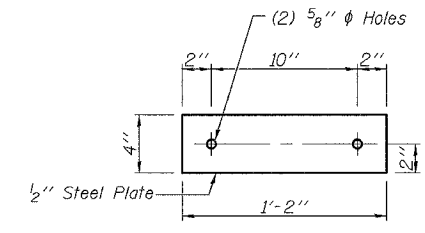
F.A.P. RTE.	SECTION	COUNTY	TOTAL SHEETS	SHEET NO.
•	••	STEPHENSON	174	77
STA. _____		TO STA. _____		
FED. ROAD DIST. NO. - ILLINOIS FED. AID PROJECT				
•FAP 505 (IL 75)			CONTRACT NO. 64C32	
••110RS-1, 111RS-3				



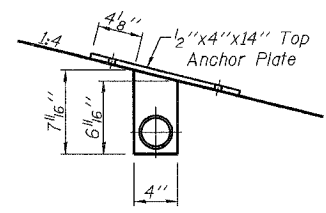
**PLAN VIEW**



**NOTCH DETAIL**



**TOP ANCHOR PLATE**



**DETAIL "A"**

**BILL OF MATERIAL**

DESCRIPTION	UNIT	QTY.
Box Culvert End Section, Culvert No. 5	Each	4
Name Plate	Each	1

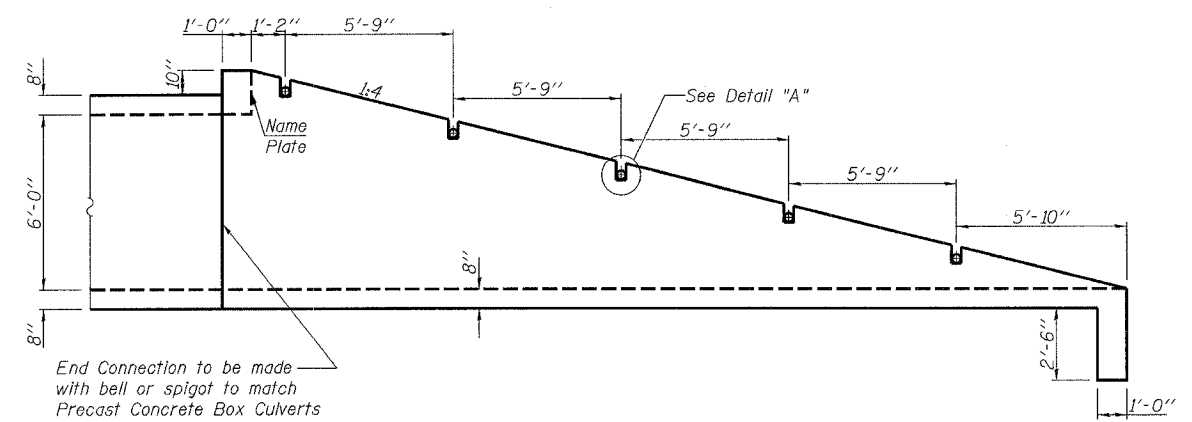
**GENERAL NOTES:**

- Slope flow line of the extension at the same rate as the flow line of the box.
- Bolts, Nuts, and Washers shall be in accordance with Article 1006.08 of the standard specification and shall be galvanized.
- The contract unit price "Each" for Box Culvert End Section, Culvert No. 5 shall include the Galvanized Pipe, Bolts, Nuts, Washers, and Steel Plates, and all applicable work according to Section 540 of the Standard Specifications.
- Steel Pipes shall conform to A.S.T.M. A-53 (Type E or S) Grade B, Schedule 40. Contractor shall field verify pipe length.
- Steel Plates shall conform to AASHTO M 270 and shall be galvanized conforming to AASHTO M-111.

STATION 10263+22.87  
 BUILT 2007 BY  
 STATE OF ILLINOIS  
 F.A.P. RT. 505 SEC 110RS-1, 111RS-3  
 LOADING HS20  
 STR. NO. 089-1102

**NAME PLATE**

See Std. 515001  
 Located on the SE Headwall.



**PROFILE VIEW**

BOX CULVERT END SECTIONS ARE TO BE PRECAST. CONTRACTOR HAS THE OPTION OF USING CAST-IN-PLACE END SECTIONS. FOR EITHER TYPE OF END SECTION, THE CONTRACTOR IS REQUIRED TO SUBMIT DESIGN CALCULATIONS TO BE APPROVED BY THE ENGINEER. THE DESIGN CALCULATIONS SHALL BE PREPARED AND SEALED BY AN ILLINOIS LICENSED STRUCTURAL ENGINEER. IF THE CONTRACTOR ELECTS TO USE CAST-IN-PLACE END SECTIONS, NO ADJUSTMENTS IN COSTS OF THE END SECTIONS WILL BE ALLOWED.

**ringroup**  
 Excellence through Ownership  
 200 West Front Street  
 Wheaton, IL 60187

ILLINOIS DEPARTMENT OF TRANSPORTATION  
 F.A.P. ROUTE 505 (IL 75)  
 ILLINOIS ROUTE 75  
 BOX CULVERT END SECTION, CULVERT NO. 5  
 RT./LT. STA. 10263+22.87  
 STRUCTURE NO. 089-1102

DATE: 12/6/06  
 DRAWN BY JMT  
 CHECKED BY WJV