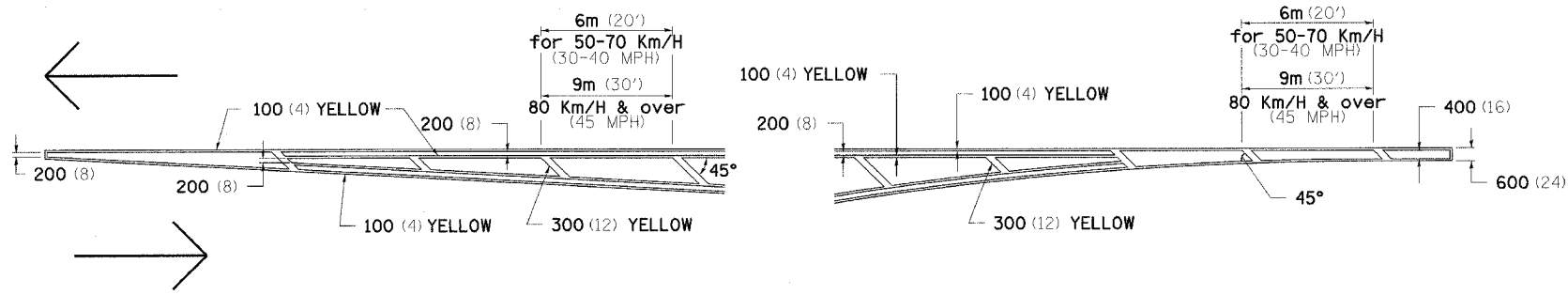


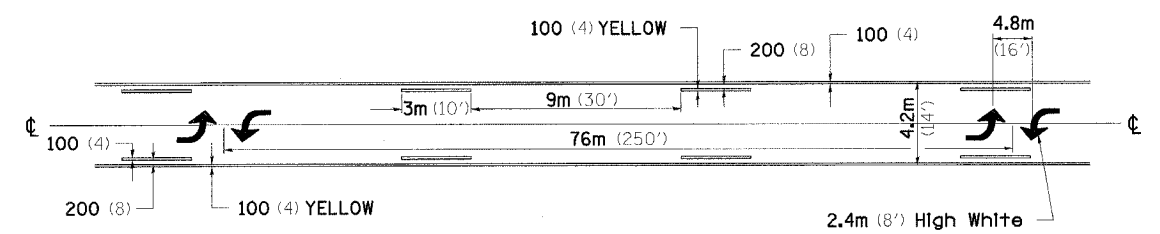
| F.A.P. RTE.         | SECTION          | COUNTY           | TOTAL SHEETS | SHEET NO. |
|---------------------|------------------|------------------|--------------|-----------|
| 505                 | 110RS-1, 111RS-3 | STEPHENSON       | 174          | 90        |
| STA.                |                  | TO STA.          |              |           |
| FED. ROAD DIST. NO. | ILLINOIS         | FED. AID PROJECT |              |           |

# TYPICAL PAVEMENT MARKINGS

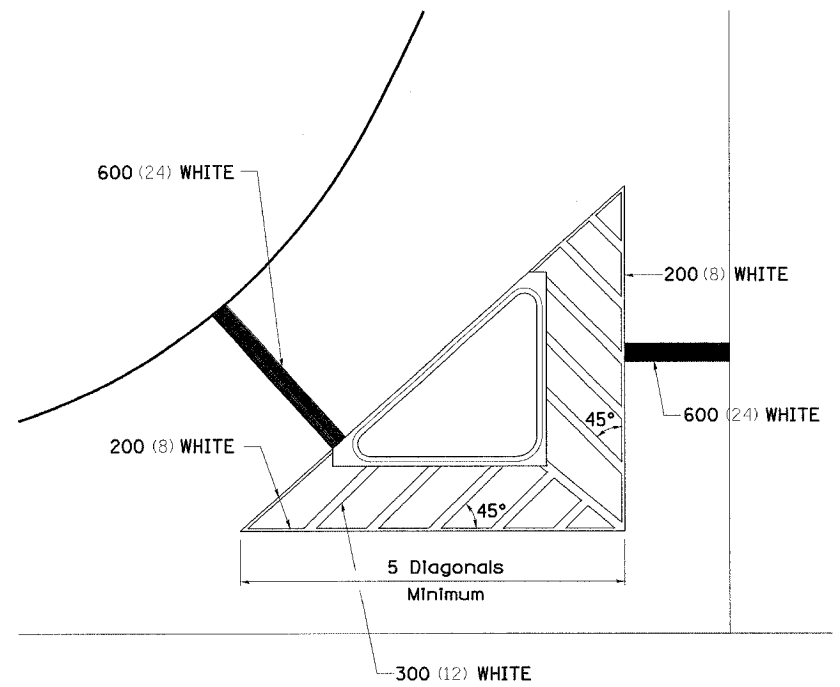
TYPICAL PAVEMENT MARKING FOR FLUSH MEDIAN AT LEFT TURN LANE



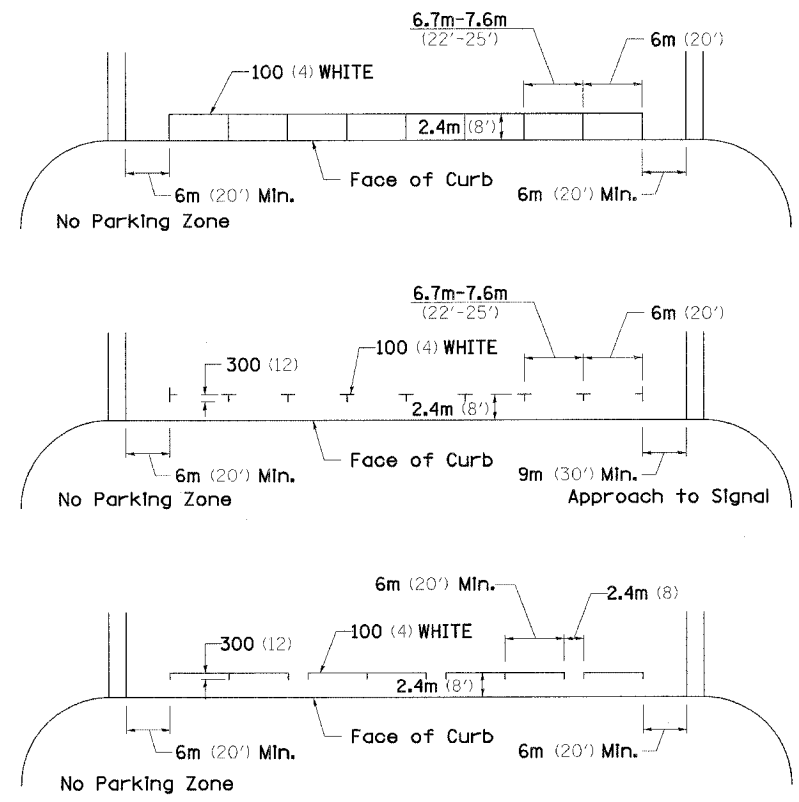
MEDIAN PAVEMENT MARKING



TYPICAL ISLAND OFFSET SHOULDER WIDTH

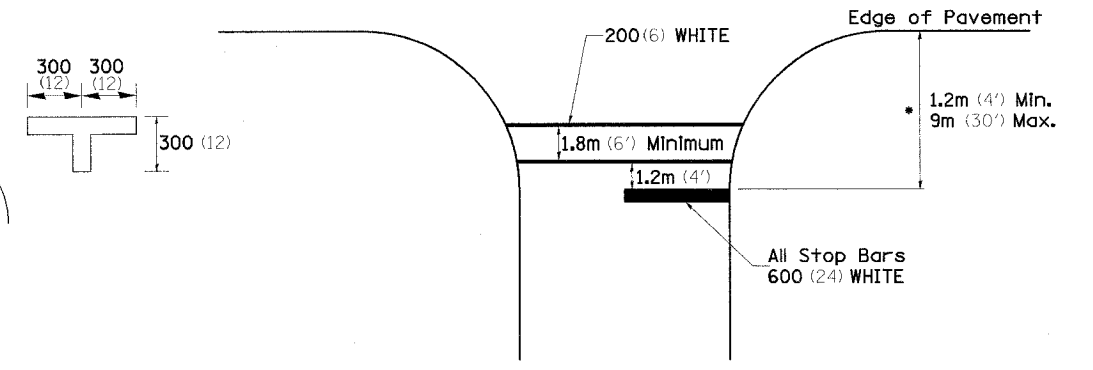


TYPICAL PARKING SPACING



•• ALL DIMENSIONS ARE IN MILLIMETERS (INCHES) UNLESS OTHERWISE NOTED.

STANDARD CROSSWALK MARKING  
See Schedules for Locations



• Distance to the nearest edge of the intersecting roadway in the absence of a marked crosswalk.

PLOT DATE = 12/7/2006  
FILE NAME = #FILEL#  
PLOT SCALE = 1:500  
REFERENCE = #REF#