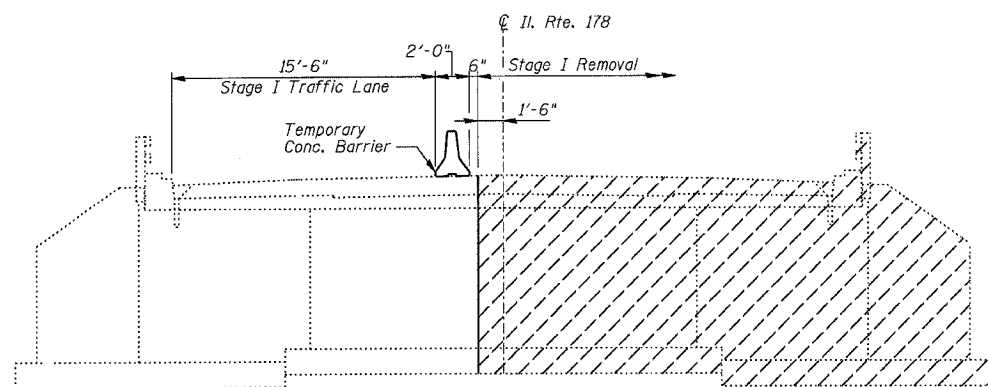
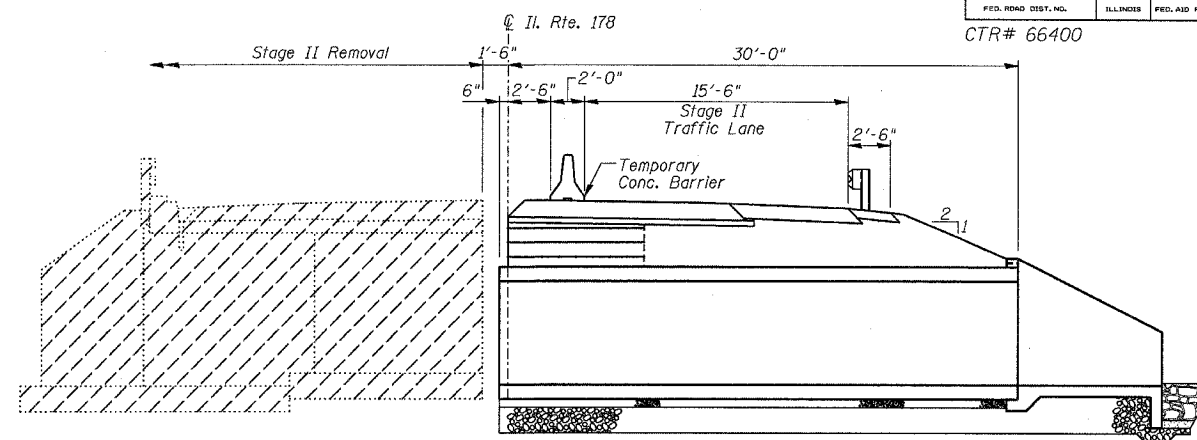


STATE OF ILLINOIS
DEPARTMENT OF TRANSPORTATION

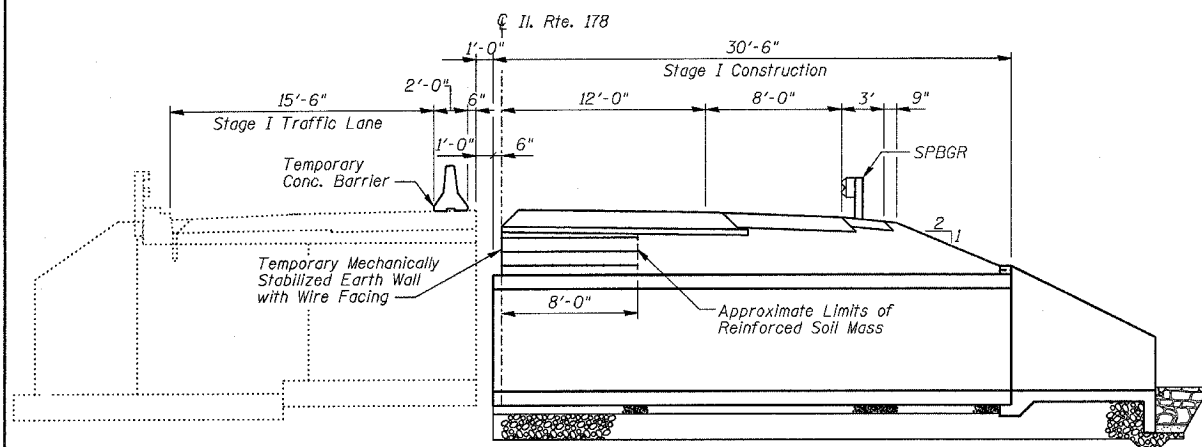
ROUTE NO.	SECTION	COUNTY	POST MILE	SHEET	SHEET NO. 2 5 SHEETS
FAS 1279	1071	LaSALLE	43	20	
FED. ROAD DIST. NO.		ILLINOIS	FED. AID PROJECT		
CTR# 66400					



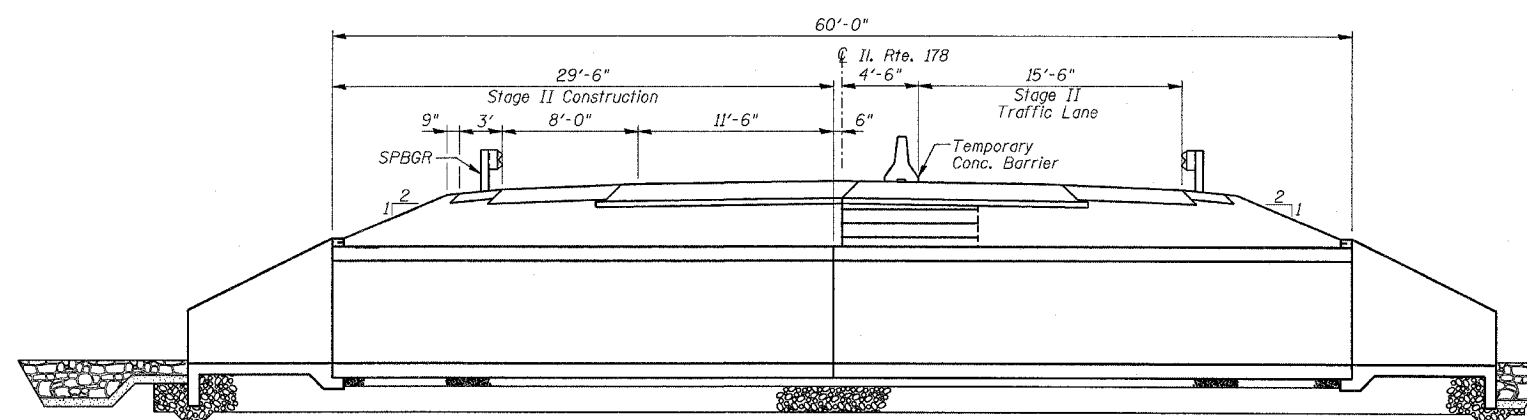
STAGE I REMOVAL



STAGE II REMOVAL



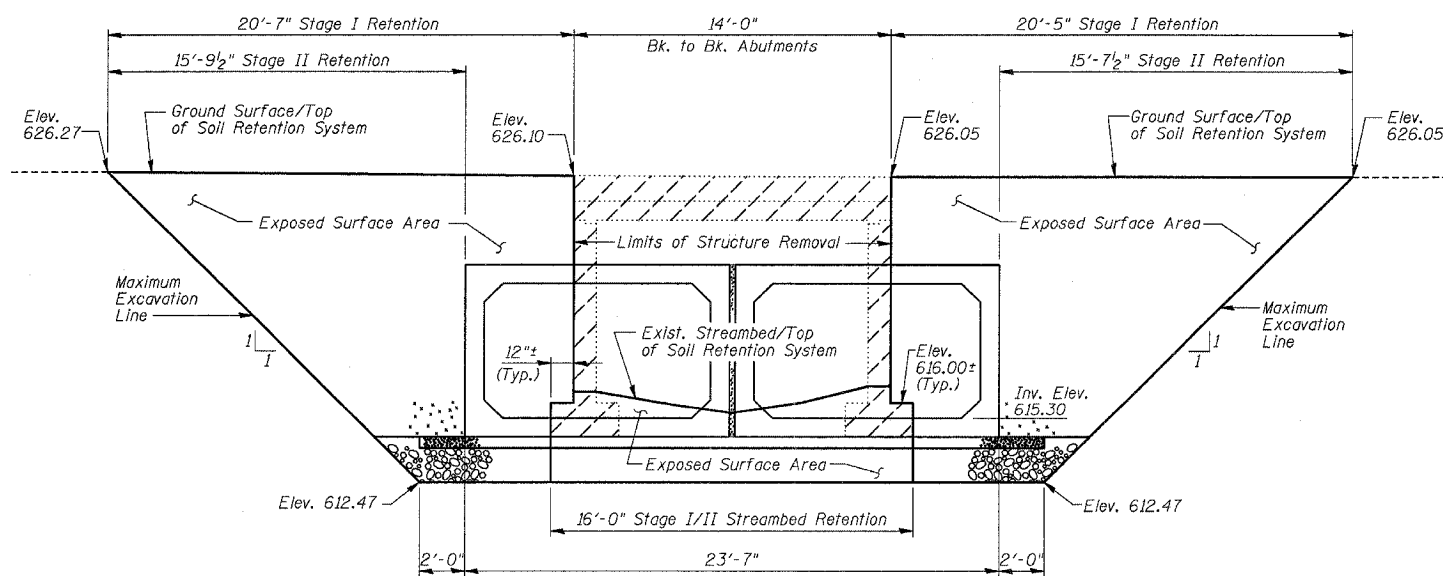
STAGE I CONSTRUCTION



STAGE II CONSTRUCTION

STAGE CONSTRUCTION SECTIONS

(Looking South)



TEMPORARY SOIL RETENTION SYSTEM LIMITS

A cantilever sheet piling design does not appear feasible and additional members or other retention systems may be necessary. The Contractor shall submit a temporary soil retention system design including plan details and calculations for review and acceptance by the Engineer.

NOTES

1. Hatched areas indicate "Removal of Existing Structures."
2. For details of Temporary Concrete Barrier see Dwg. No. 5 of 5.
3. Removal of existing bridge rail is included with "Removal of Existing Structures."

STAGE CONSTRUCTION
DETAILS
IL ROUTE 178 OVER
UNNAMED TRIBUTARY
FAS 1279 SECTION 1071
LaSALLE COUNTY
STATION 1032+49.18
STRUCTURE NO. 050-2041

ESCA
CONSULTANTS, INC.

DESIGNED BY:	MTD	11/04
DRAWN BY:	RJT	11/04
CHECKED BY:	MTD	11/04
APPROVED BY:	RDP	05/06