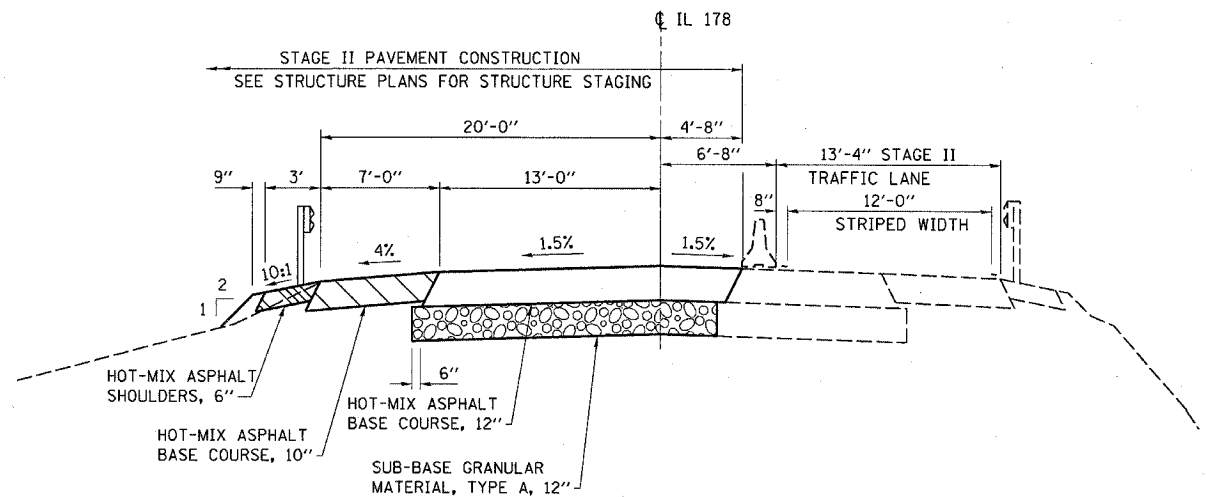
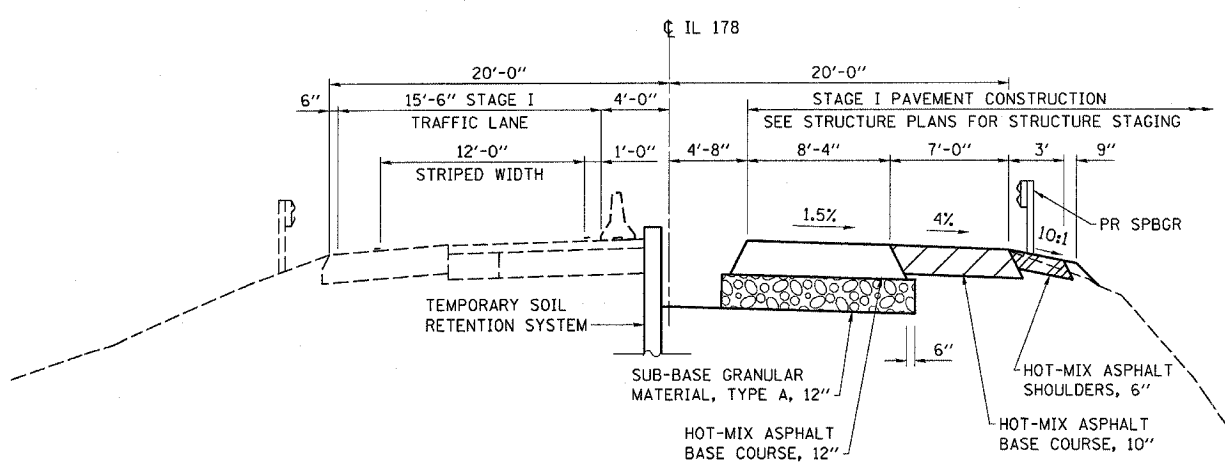
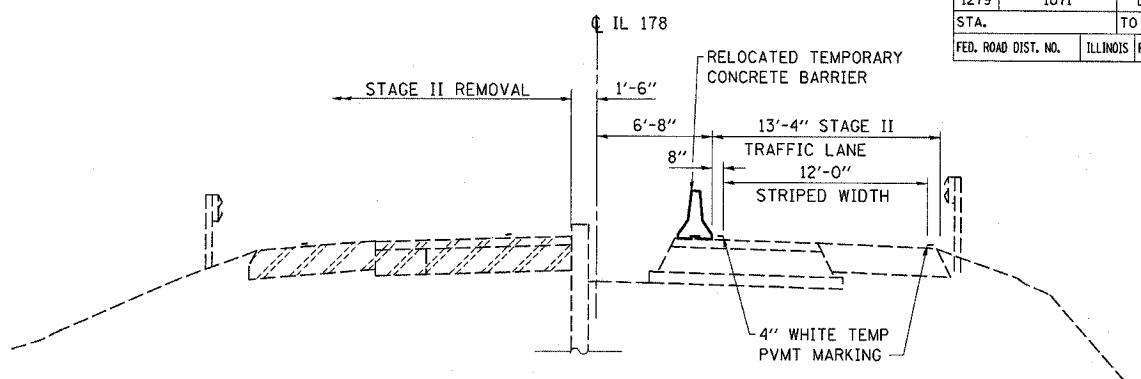
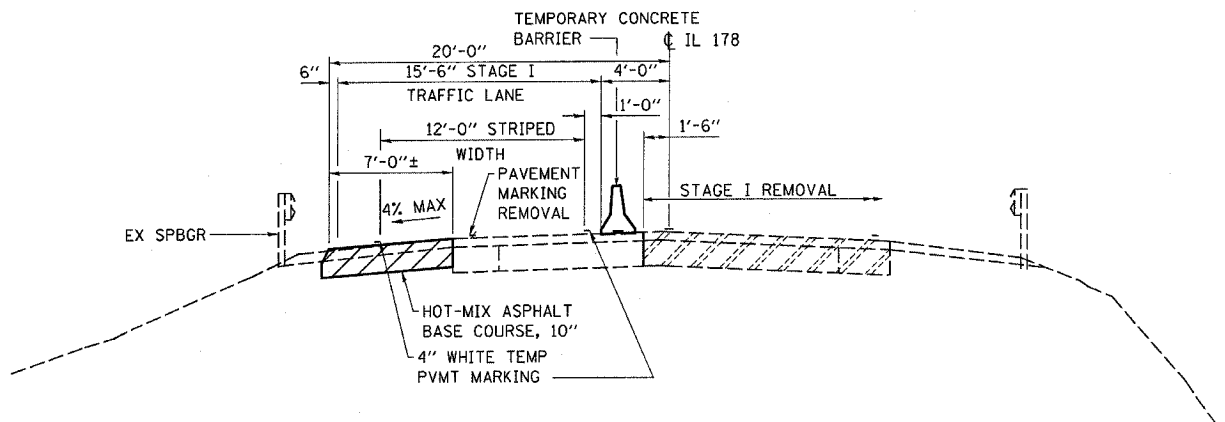
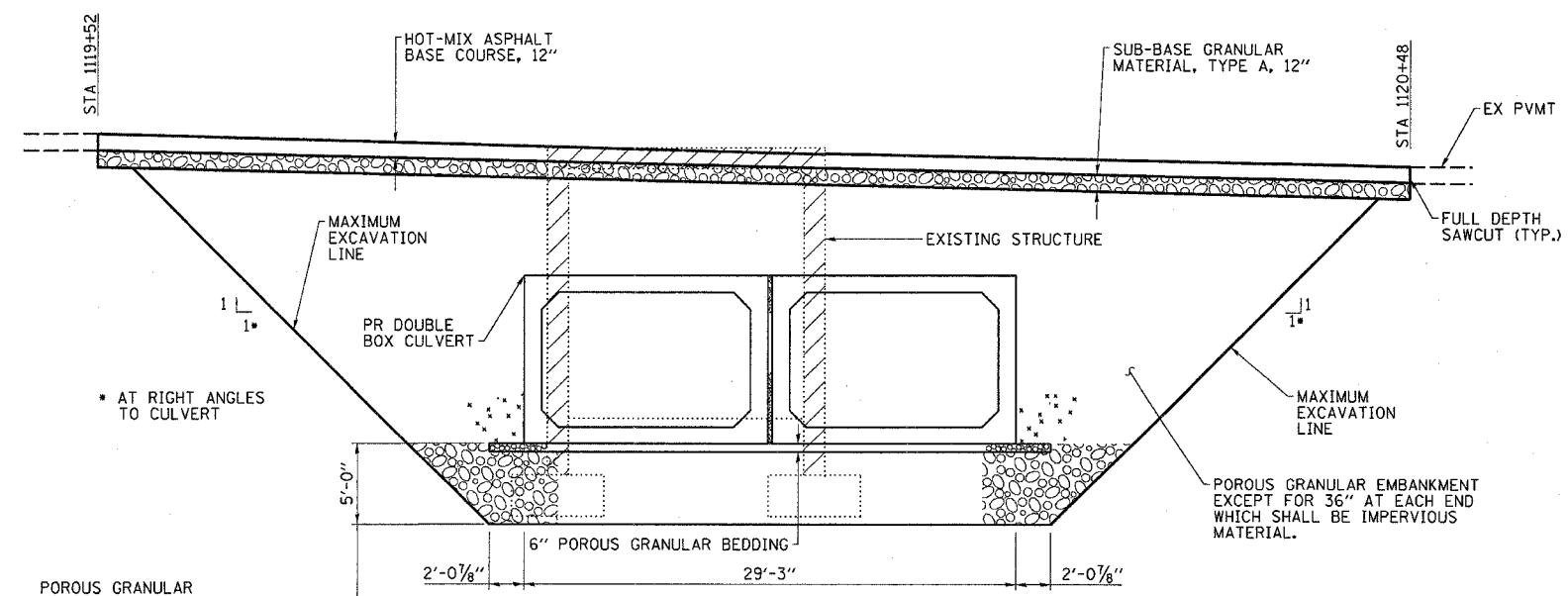


FAS RTE	SECTION	COUNTY	TOTAL SHEETS	SHEET NO.
1279	1071	LaSALLE	43	26
STA.		TO STA.		
FED. ROAD DIST. NO.		ILLINOIS FED. AID PROJECT AID		



SECTION A-A

SECTION B-B



SECTION C-C

STAGE CONSTRUCTION DETAILS
 FAS 1279 (IL 178)
 SECTION 1071
 LaSALLE COUNTY
 STATION 1120+02.38

ESCA
 CONSULTANTS, INC.

DESIGNED BY:	MTD	01/06
DRAWN BY:	HAG	01/06
CHECKED BY:	MTD	05/06
APPROVED BY:	RDP	05/06