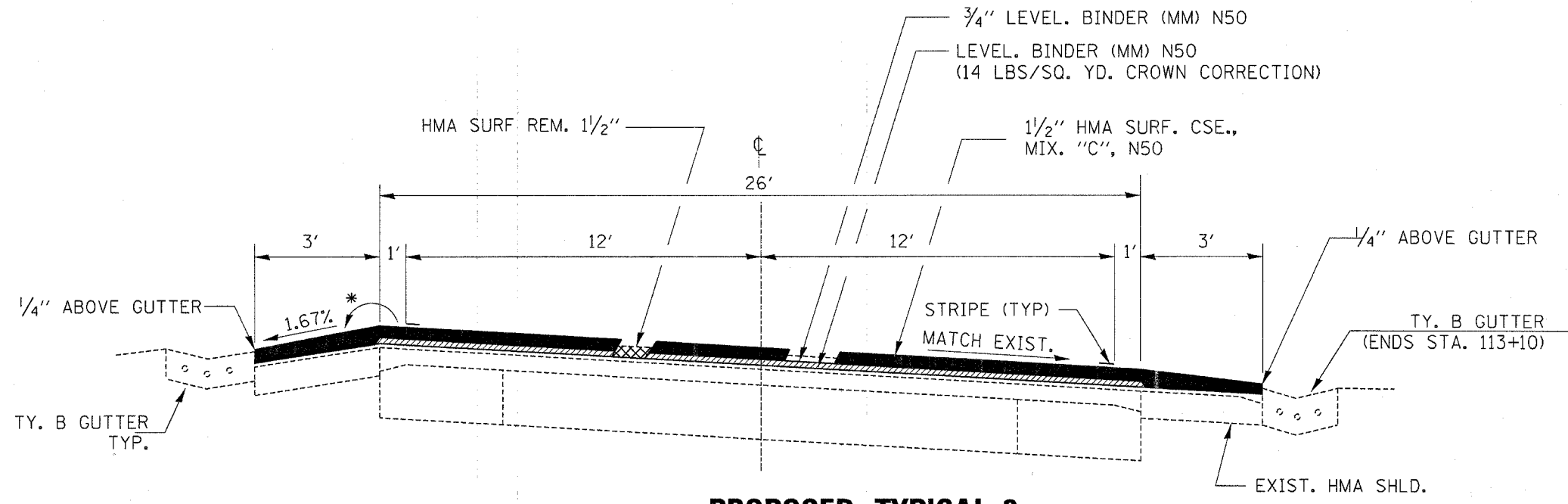
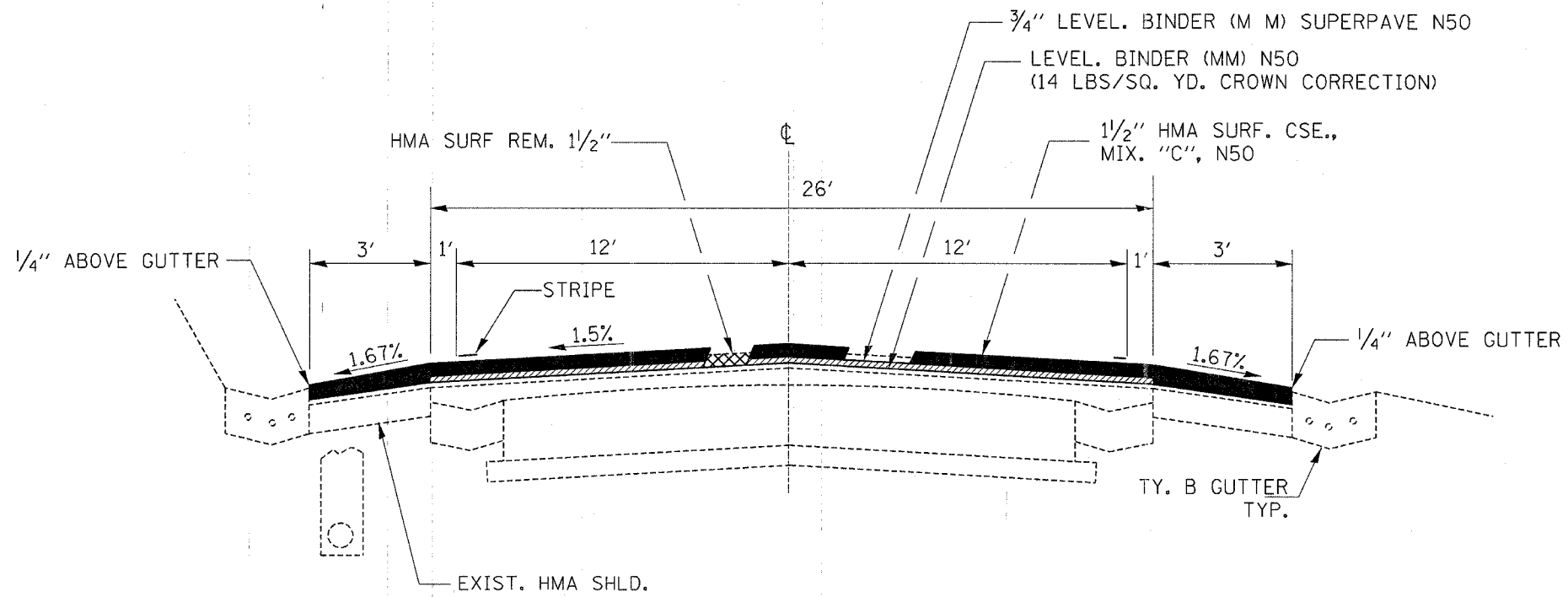


F.A.P. RTE.	SECTION	COUNTY	TOTAL SHEETS	SHEET NO.
786	(109,110,111)RS-3	LASALLE	20	5
STA.		TO STA.		
FED. ROAD DIST. NO.		ILLINOIS FED. AID PROJECT		



PROPOSED TYPICAL 3

*8% MAX. ROLLOVER
 STA. 96+35 TO STA. 97+42.38
 STA. 99+24.07 TO STA. 114+03



PROPOSED TYPICAL 4

STA. 97+42.38 TO STA. 99+24.07

REVISIONS	
NAME	DATE

ILLINOIS DEPARTMENT OF TRANSPORTATION

PROPOSED TYPICALS

SCALE: VERT. HORIZ. DATE

DRAWN BY CHECKED BY