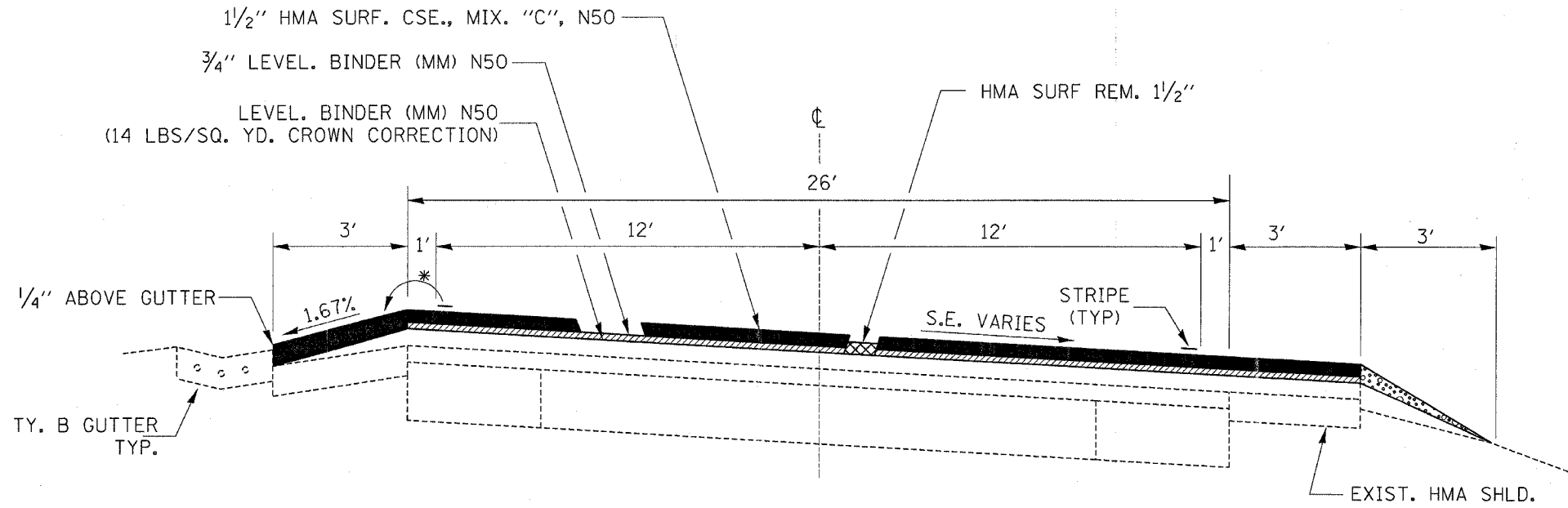
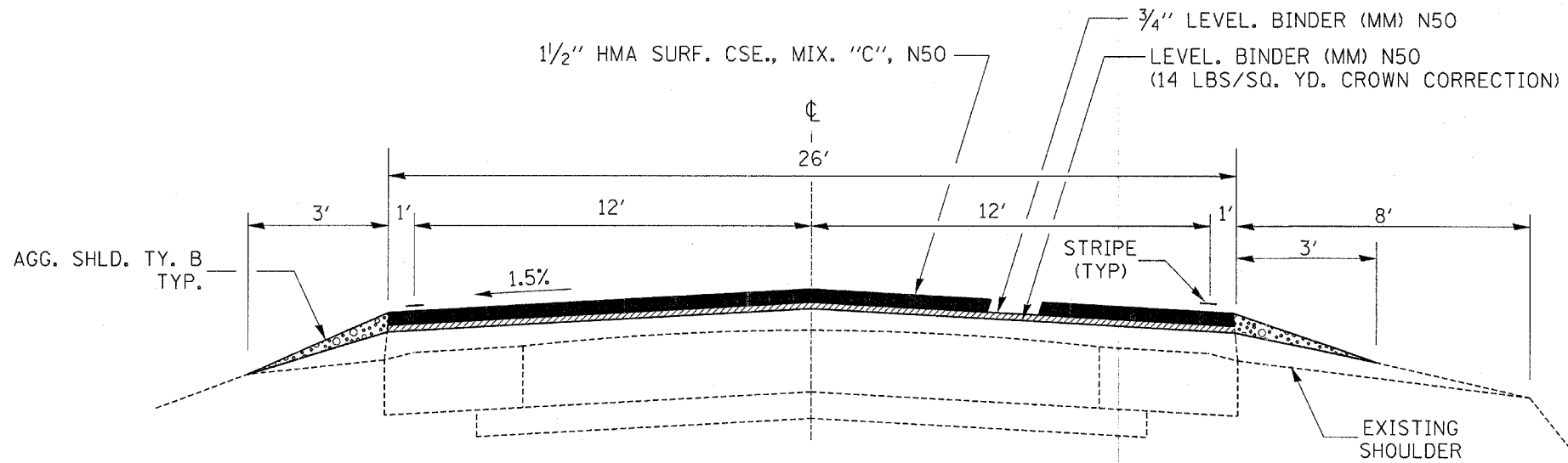


F.A.P. RTE.	SECTION	COUNTY	TOTAL SHEETS	SHEET NO.
786	(109,110,111)RS-3	LASALLE	20	6
STA.		TO STA.		
FED. ROAD DIST. NO.	ILLINOIS	FED. AID PROJECT		



PROPOSED TYPICAL 5

* 8% MAX. ROLLOVER
 STA. 114+03 TO STA. 117+03.98



PROPOSED TYPICAL 6

STA. 117+03.98 TO STA. 120+24
 STA. 143+76 TO STA. 150+88.75
 STA. 157+84.20 TO STA. 302+37

(INTERSECTION OMISSION FROM STA. 302+37 TO STA. 306+94)

REVISIONS	
NAME	DATE

ILLINOIS DEPARTMENT OF TRANSPORTATION

PROPOSED TYPICALS

SCALE: VERT. HORIZ.
 DATE

DRAWN BY
 CHECKED BY