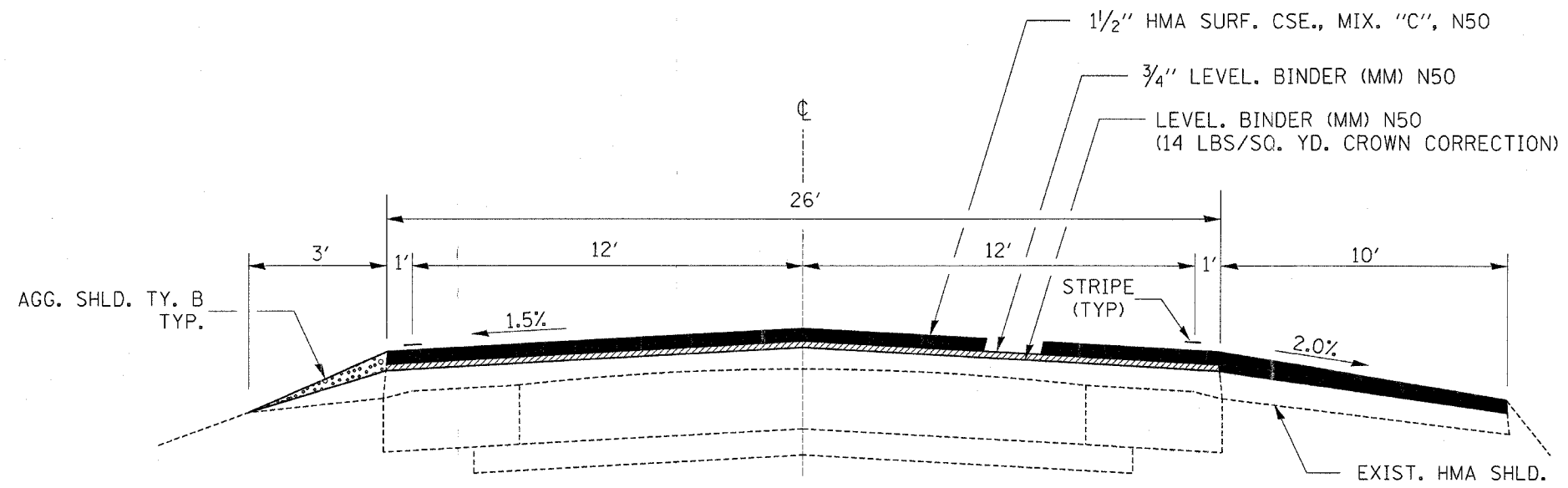
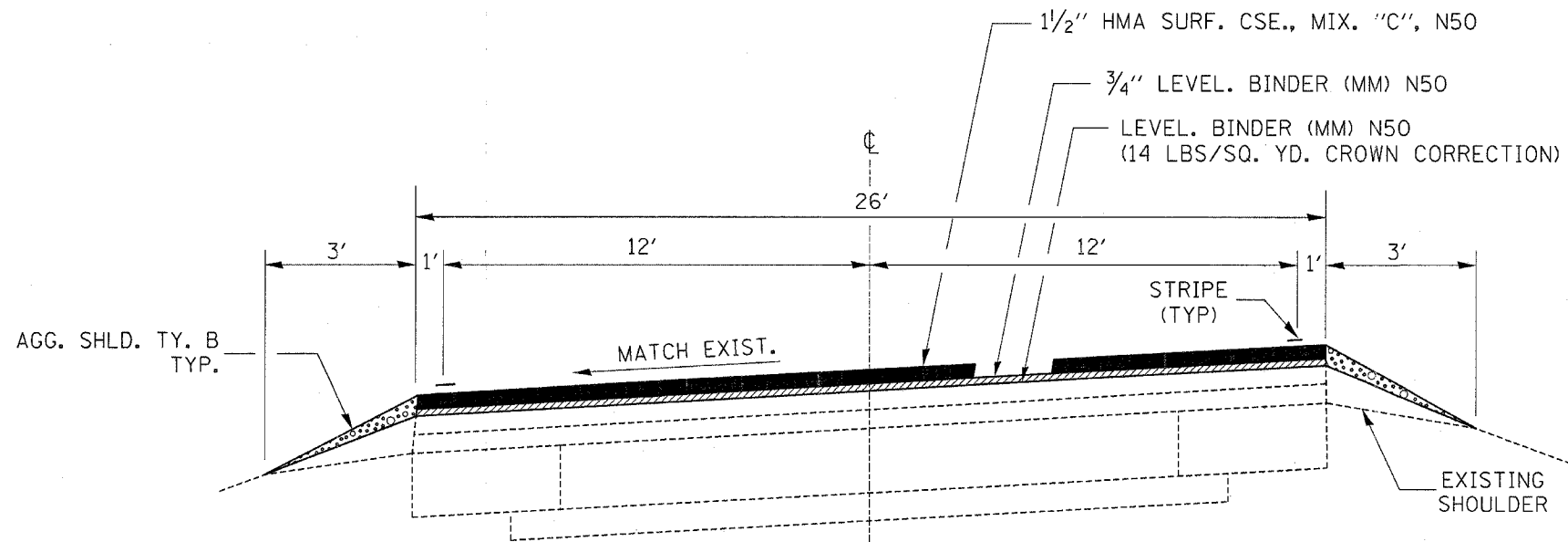


F.A.P. RTE.	SECTION	COUNTY	TOTAL SHEETS	SHEET NO.
786	(109,110,111)RS-3	LASALLE	20	7
STA.		TO STA.		
FED. ROAD DIST. NO.	ILLINOIS	FED. AID PROJECT		



PROPOSED TYPICAL 7

STA. 120+24 TO STA. 143+76



PROPOSED TYPICAL 8

STA. 150+88.75 TO STA. 157+84.2

REVISIONS	
NAME	DATE

ILLINOIS DEPARTMENT OF TRANSPORTATION

PROPOSED TYPICALS

SCALE: VERT. HORIZ. DATE

DRAWN BY CHECKED BY