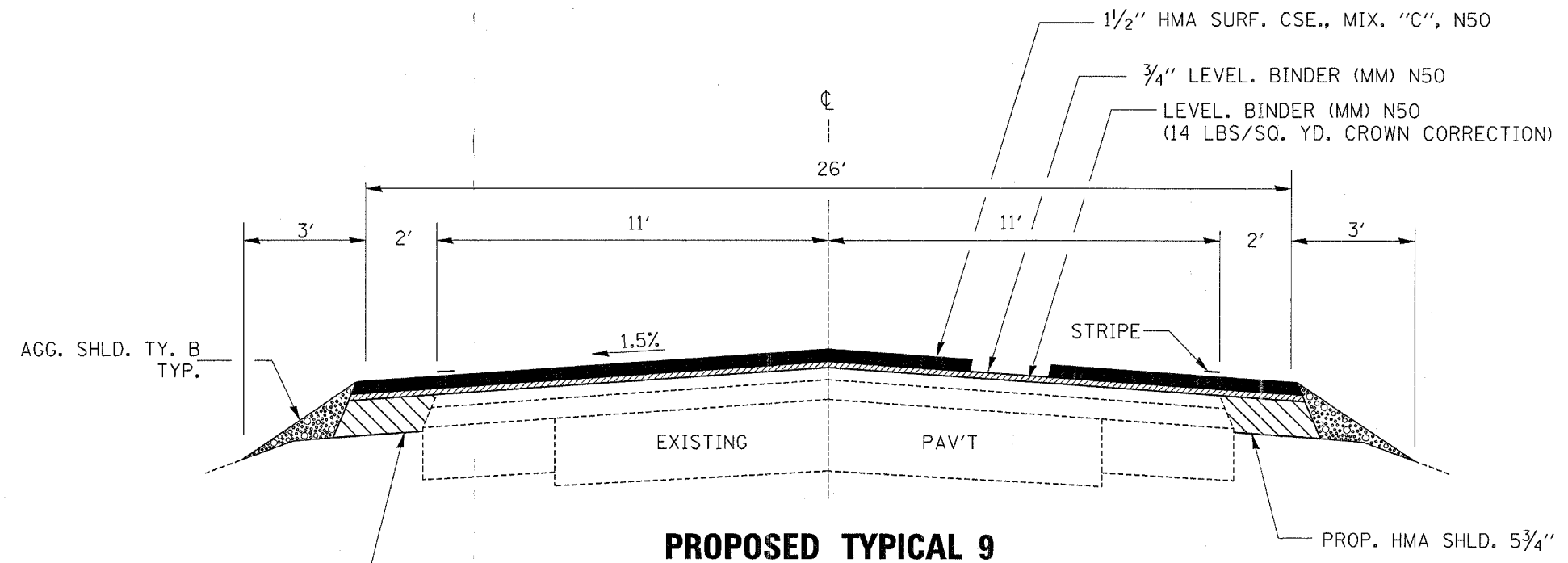


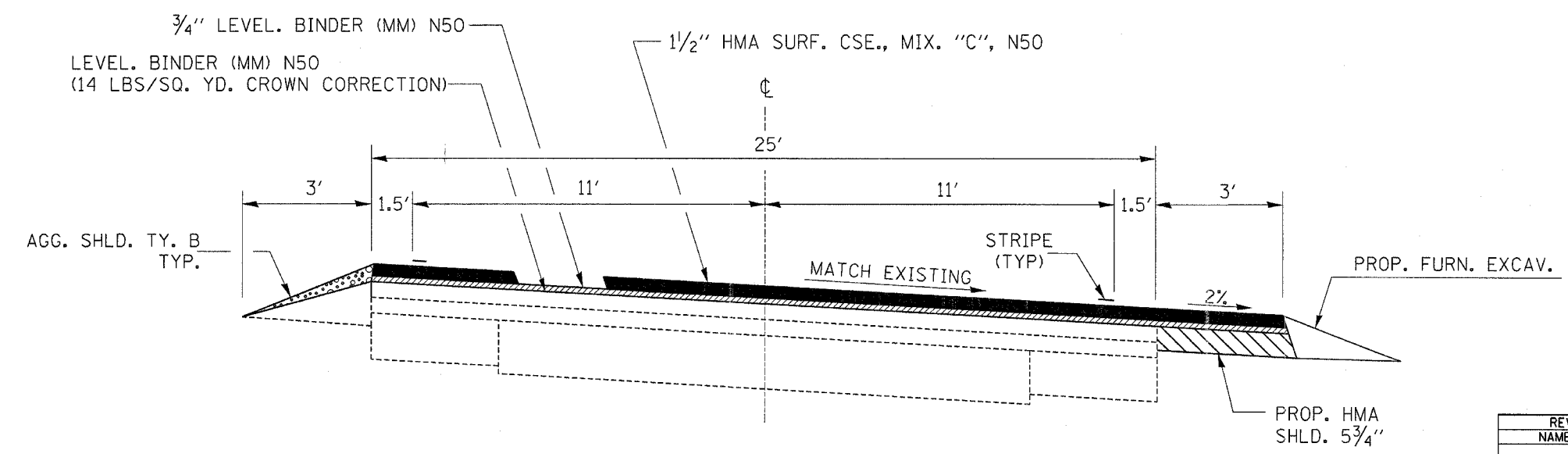
F.A.P. RTE.	SECTION	COUNTY	TOTAL SHEETS	SHEET NO.
786	(109,110,111)RS-3	LASALLE	19	8
STA.		TO STA.		
FED. ROAD DIST. NO.		ILLINOIS	FED. AID PROJECT	



PROPOSED TYPICAL 9

- STA. 306+94 TO STA. 314+04
- STA. 314+24 TO STA. 369+55
- STA. 369+75 TO STA. 445+35
- STA. 445+75 TO STA. 511+60
- STA. 519+65 TO STA. 618+71
- STA. 626+54 TO STA. 685+70
- STA. 707+10 TO STA. 918+12

RAILROAD CROSSING OMISSION STA. 918+12 TO 918+22
 STA. 918+22 TO STA. 943+33



PROPOSED TYPICAL 10

STA. 511+60 TO STA. 519+65

REVISIONS	
NAME	DATE

ILLINOIS DEPARTMENT OF TRANSPORTATION

PROPOSED TYPICALS

SCALE: VERT. HORIZ. DATE DRAWN BY CHECKED BY

4/12/2007 11:40:31 AM c:\projects\road03901\detail\is.dgn