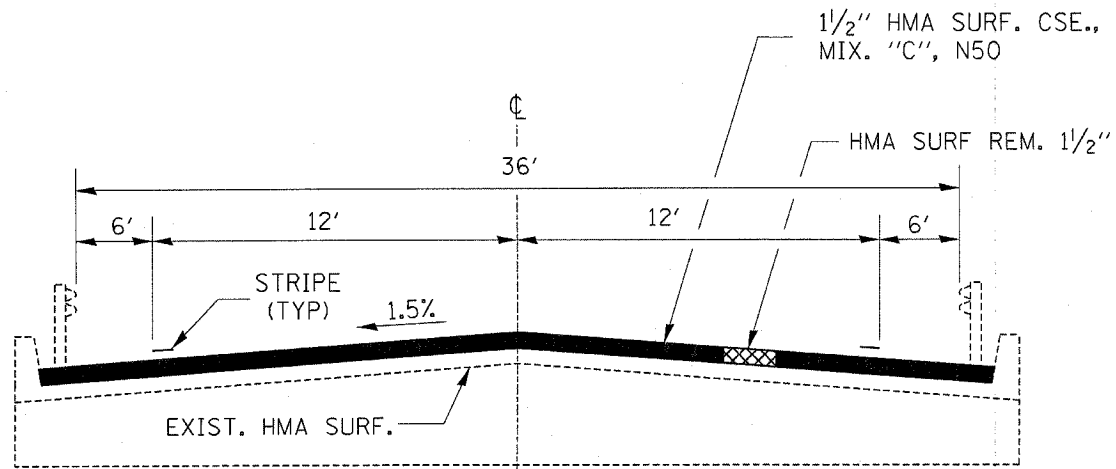
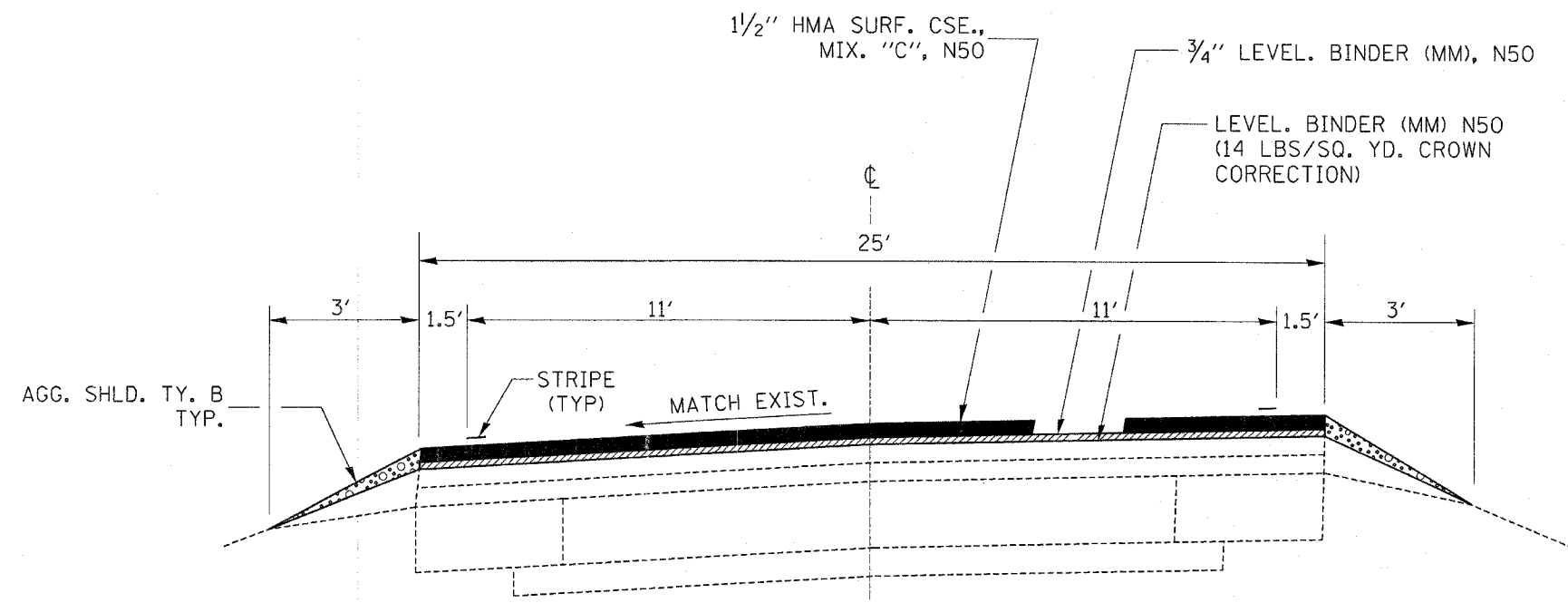


F.A.P. RTE.	SECTION	COUNTY	TOTAL SHEETS	SHEET NO.
786	(109,110,111)RS-3	LASALLE	20	9
STA.		TO STA.		
FED. ROAD DIST. NO.		ILLINOIS FED. AID PROJECT		



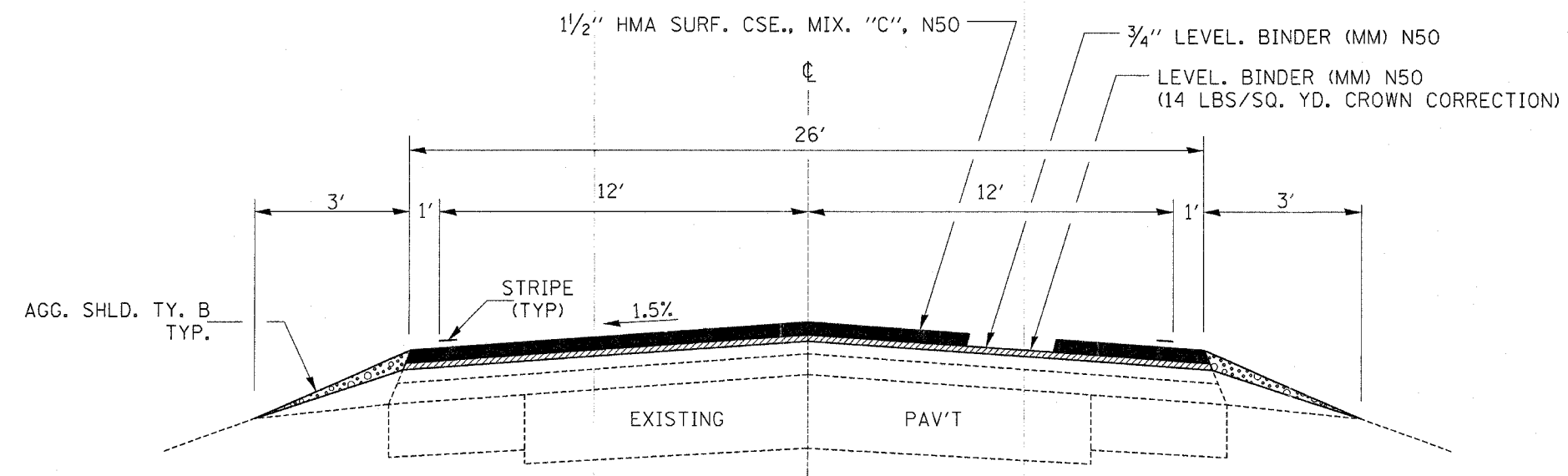
PROPOSED TYPICAL AT STRUCTURES

STA. 314+04 TO STA. 314+24 (S.N. 050-0143)
 STA. 369+55 TO STA. 369+75 (S.N. 050-0156)
 STA. 445+35 TO STA. 445+75 (S.N. 050-0072)



PROPOSED TYPICAL 11

STA. 618+71 TO STA. 626+54



PROPOSED TYPICAL 12

STA. 685+70 TO STA. 696+52
 R.R. OVERPASS OMISSION STA. 696+52 TO STA. 698+31
 STA. 698+31 TO STA. 707+10

REVISIONS	
NAME	DATE

ILLINOIS DEPARTMENT OF TRANSPORTATION

PROPOSED TYPICALS

SCALE: VERT. HORIZ.
 DATE

DRAWN BY
 CHECKED BY

4/12/2007 11:40:48 AM c:\projects\6603904\vertical12.dgn