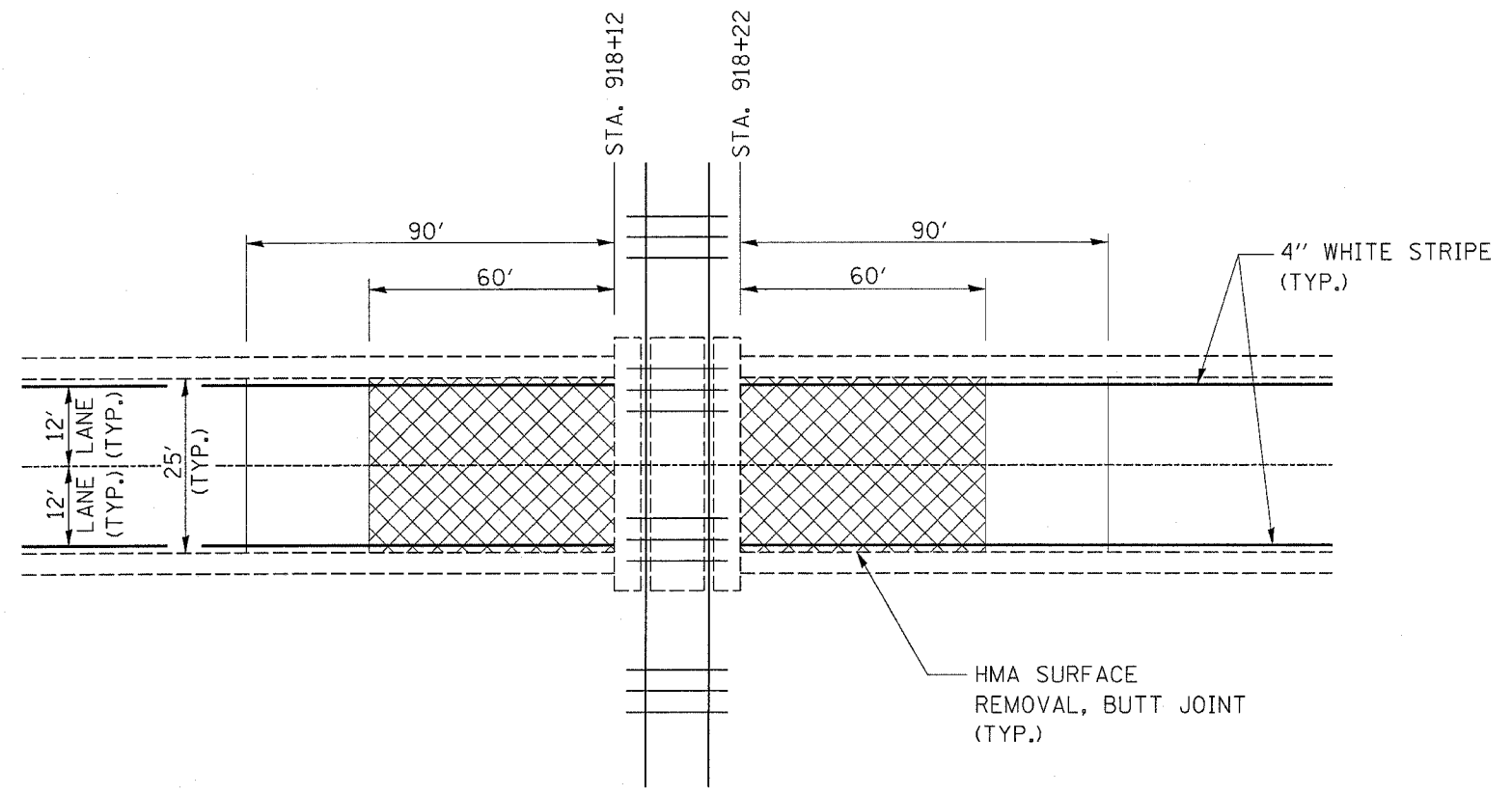
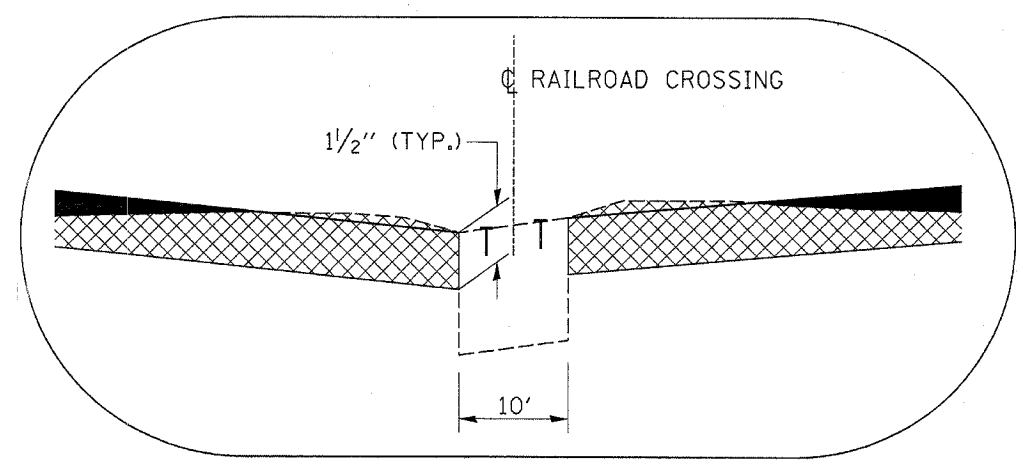


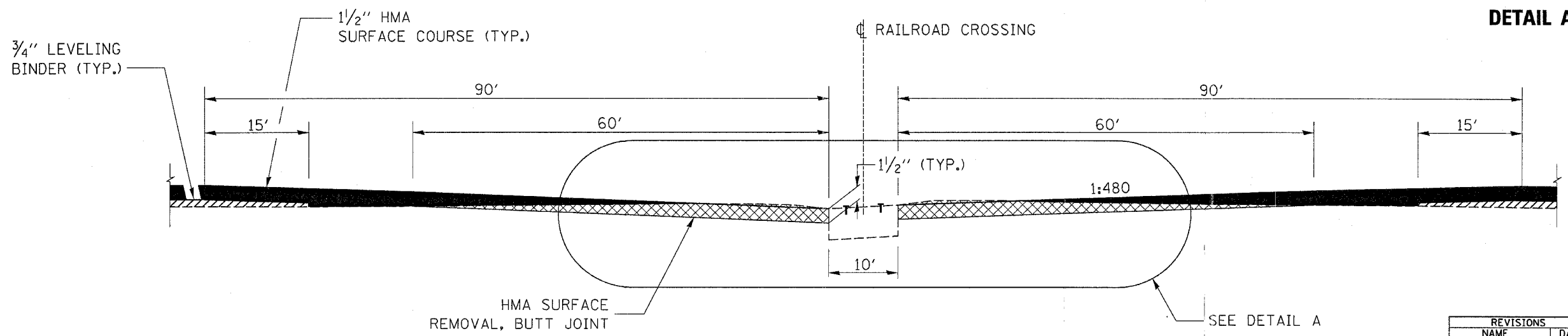
F.A.P. RTE.	SECTION	COUNTY	TOTAL SHEETS	SHEET NO.
786	(109,110,111)RS-3	LASALLE	20	16
STA.		TO STA.		
FED. ROAD DIST. NO.	ILLINOIS	FED. AID PROJECT		



**PLAN AT RAILROAD CROSSING**



**DETAIL A**



**BUTT JOINT AT RAILROAD CROSSING**

REVISIONS	
NAME	DATE

ILLINOIS DEPARTMENT OF TRANSPORTATION

**DETAILS**

SCALE: VERT. HORIZ. DATE

DRAWN BY CHECKED BY

4/18/2007 2:00:19 PM c:\p00000000\66439\0116.dgn